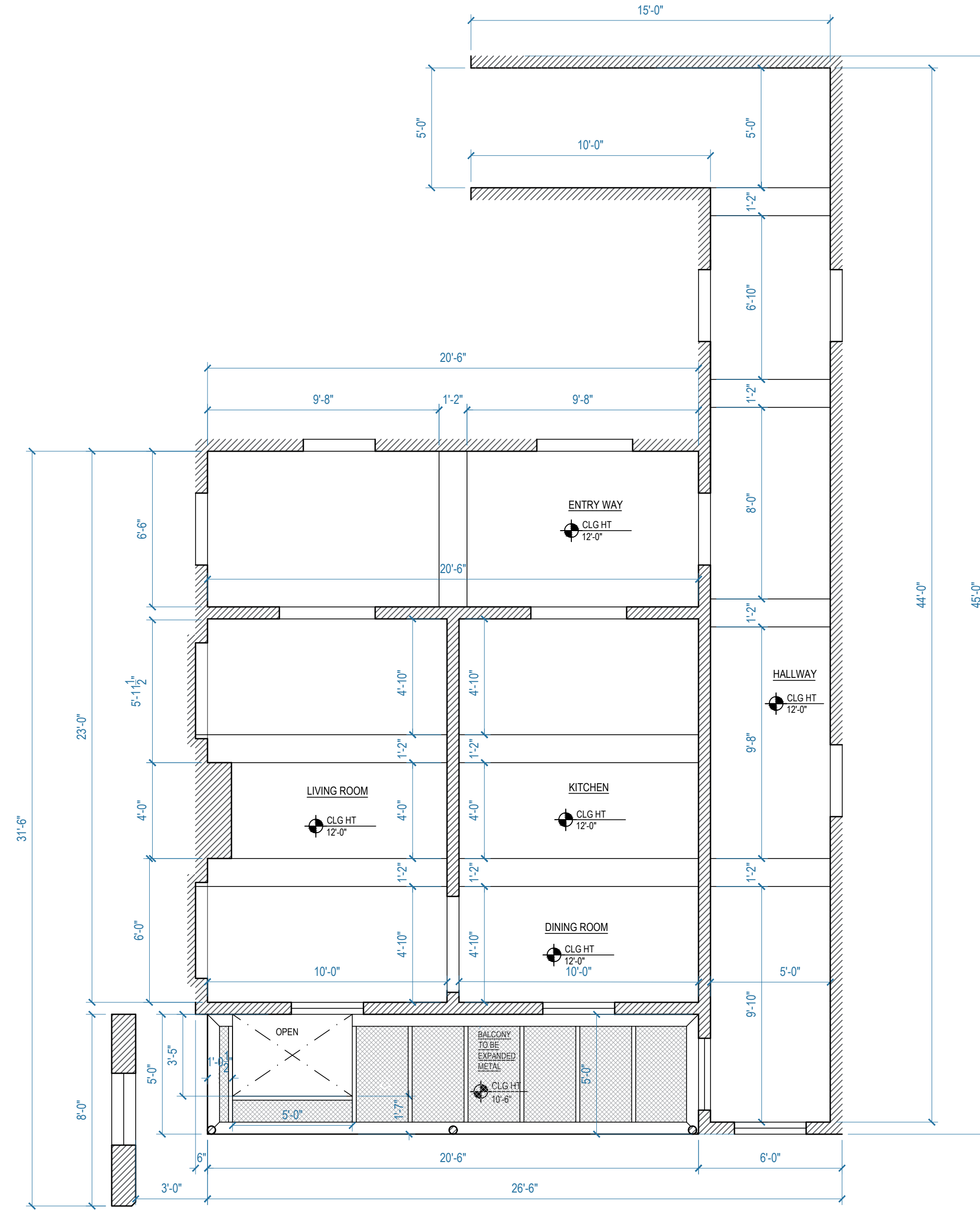
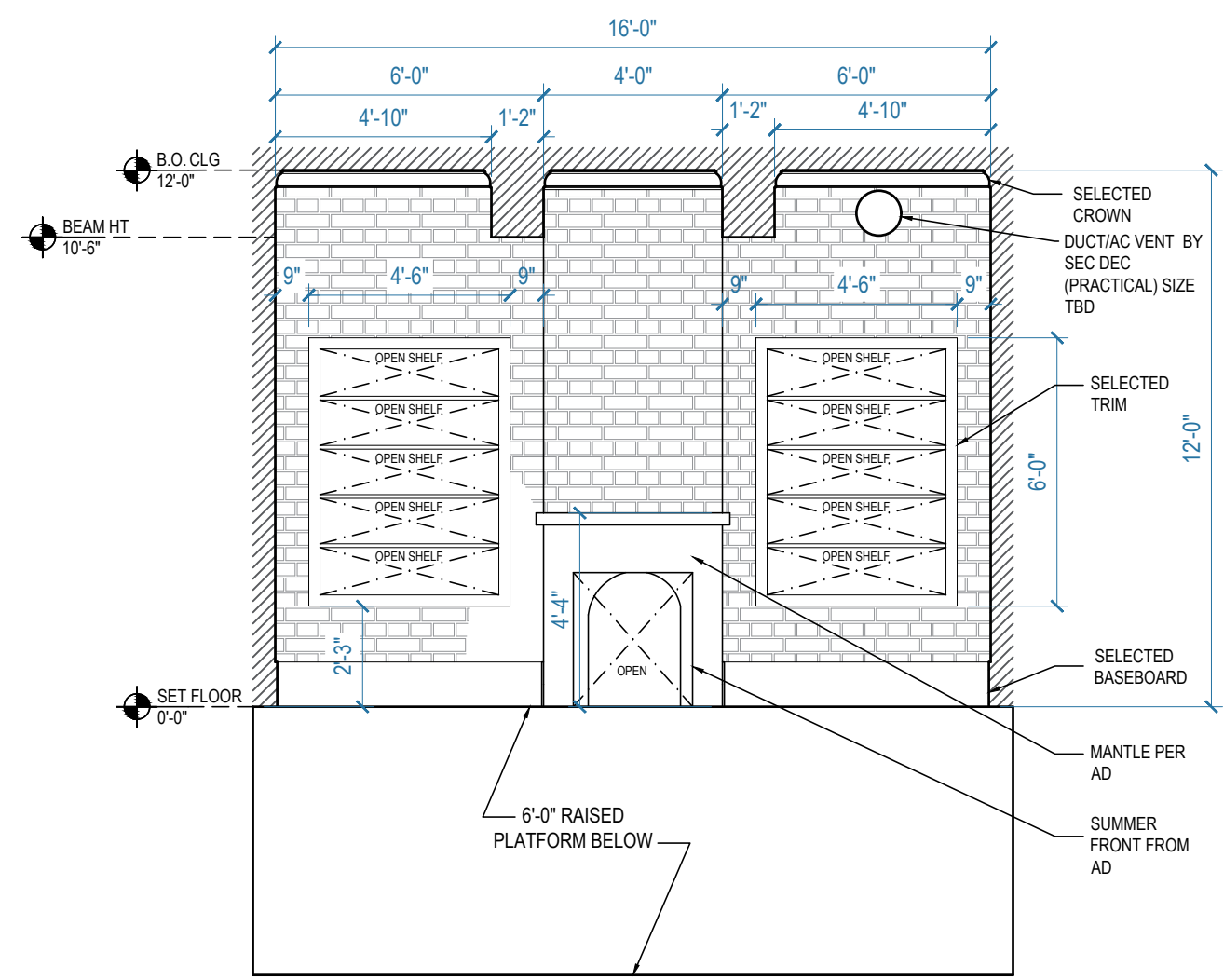


1 FLOORPLAN
SCALE: $\frac{1}{4}'' = 1'-0''$

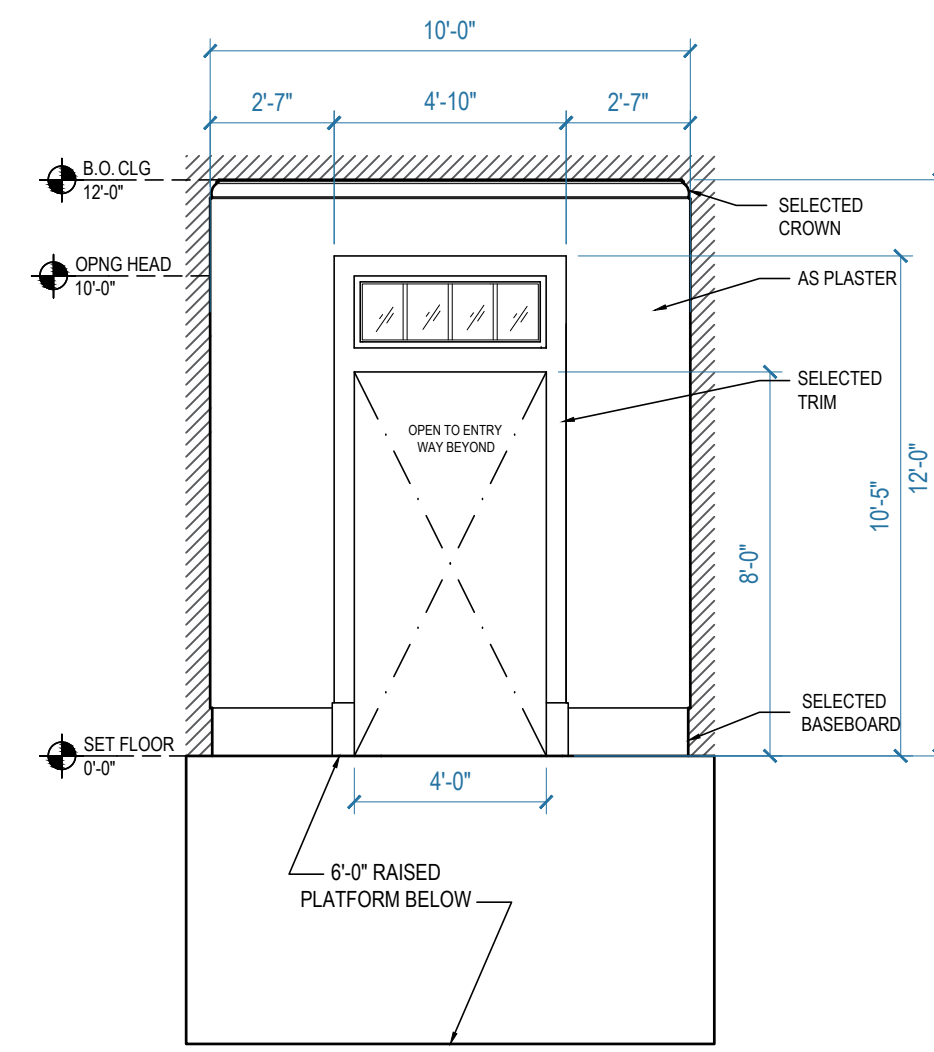


2 CEILING PLAN
SCALE: $\frac{1}{4}'' = 1'-0''$

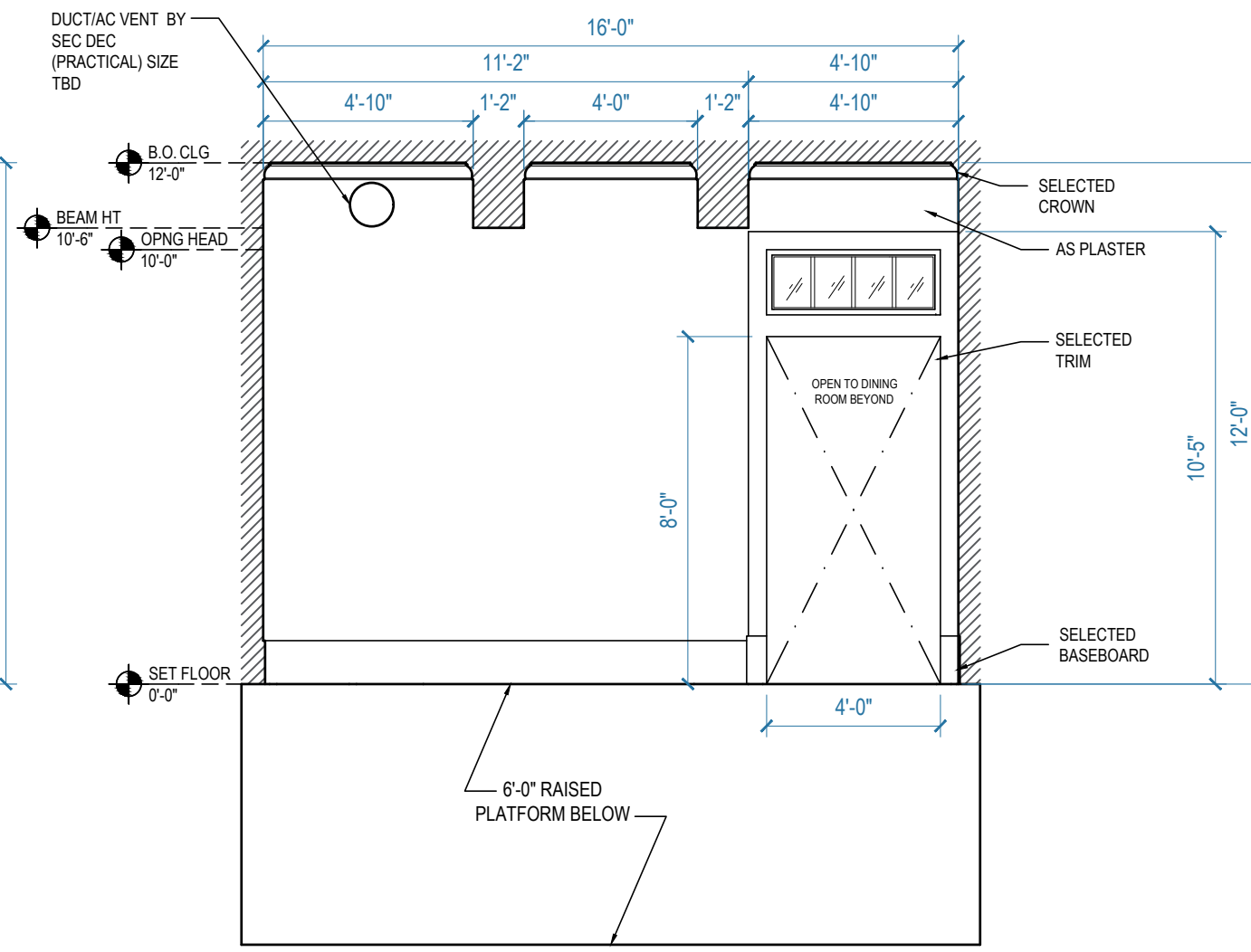
NOTE: HARD FINAL CEILING
PLACEMENT TBD BE DP AND
ELECTRIC



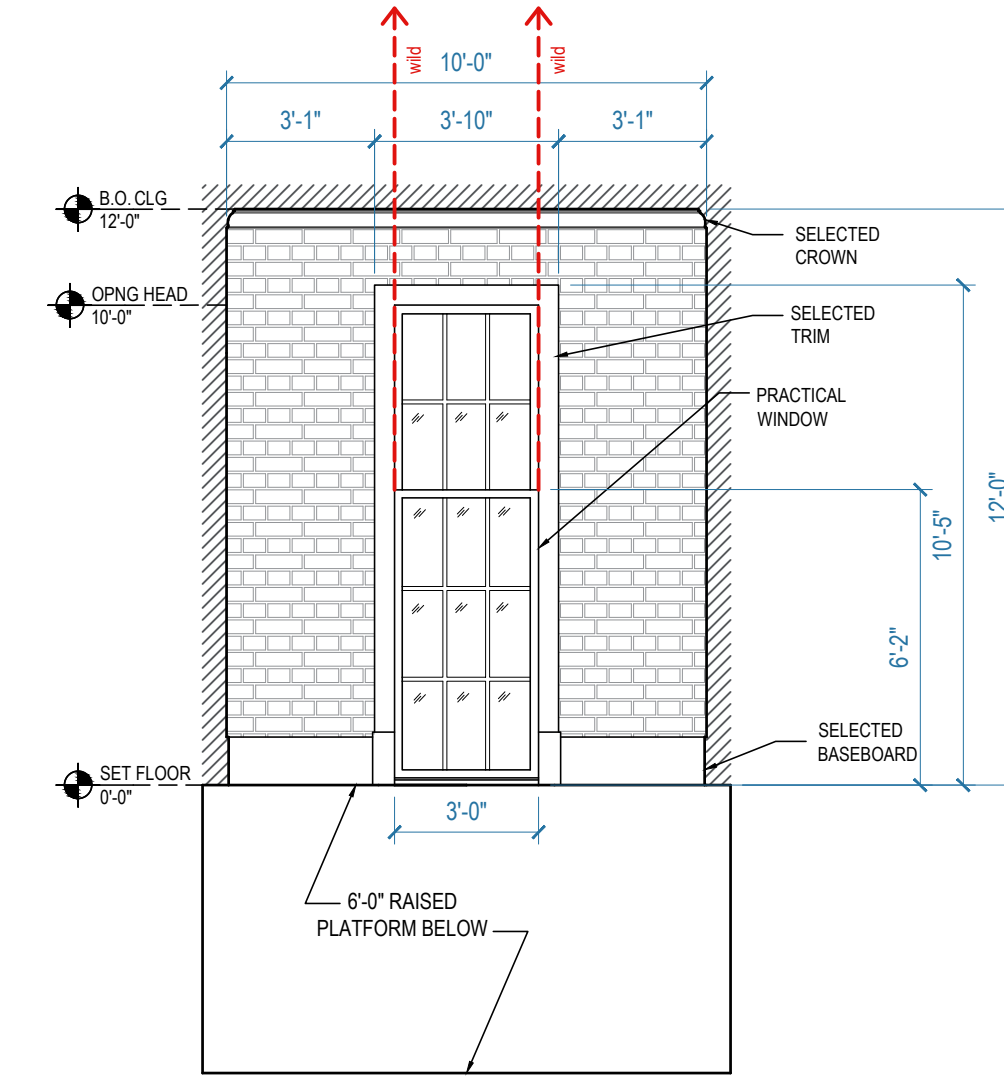
A ELEVATION - LIVING ROOM
SCALE: $\frac{1}{4}'' = 1'-0''$



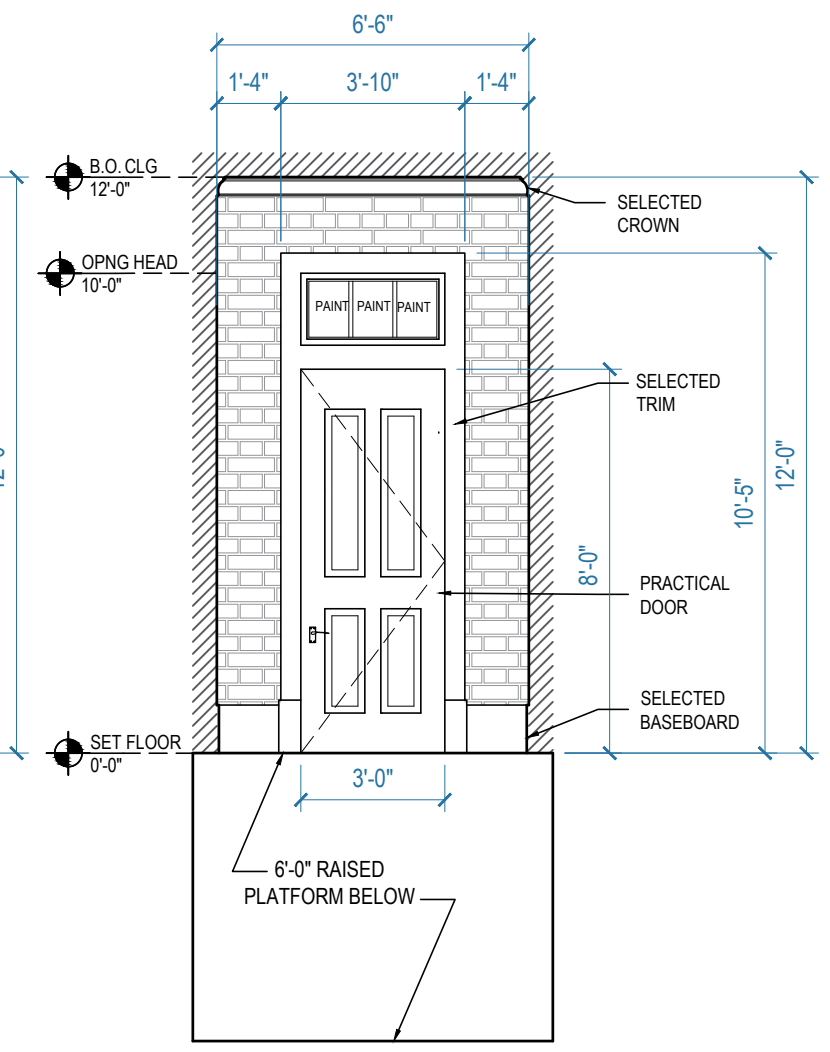
B ELEVATION - LIVING ROOM
SCALE: $\frac{1}{4}'' = 1'-0''$



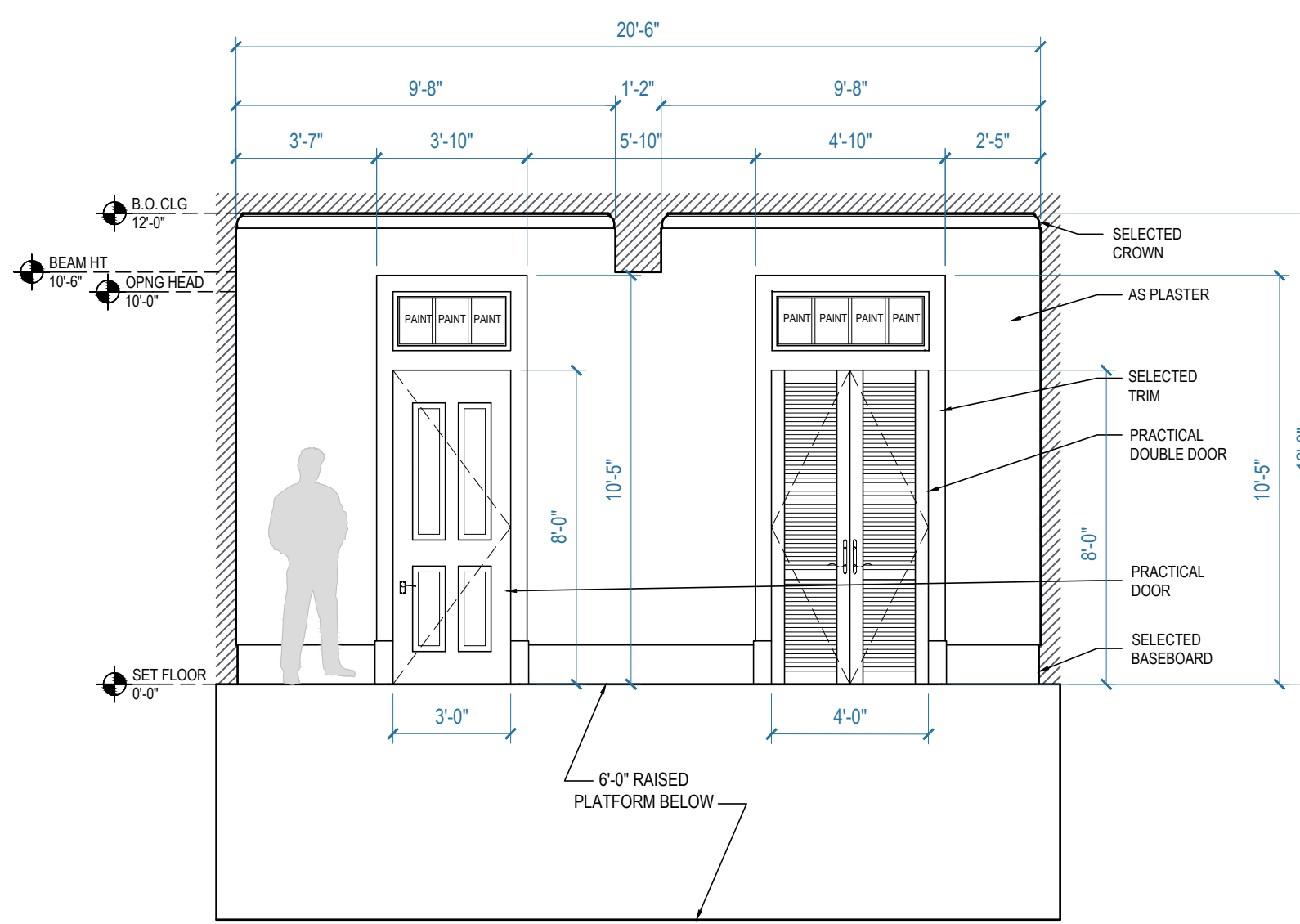
C ELEVATION - LIVING ROOM
SCALE: $\frac{1}{4}'' = 1'-0''$



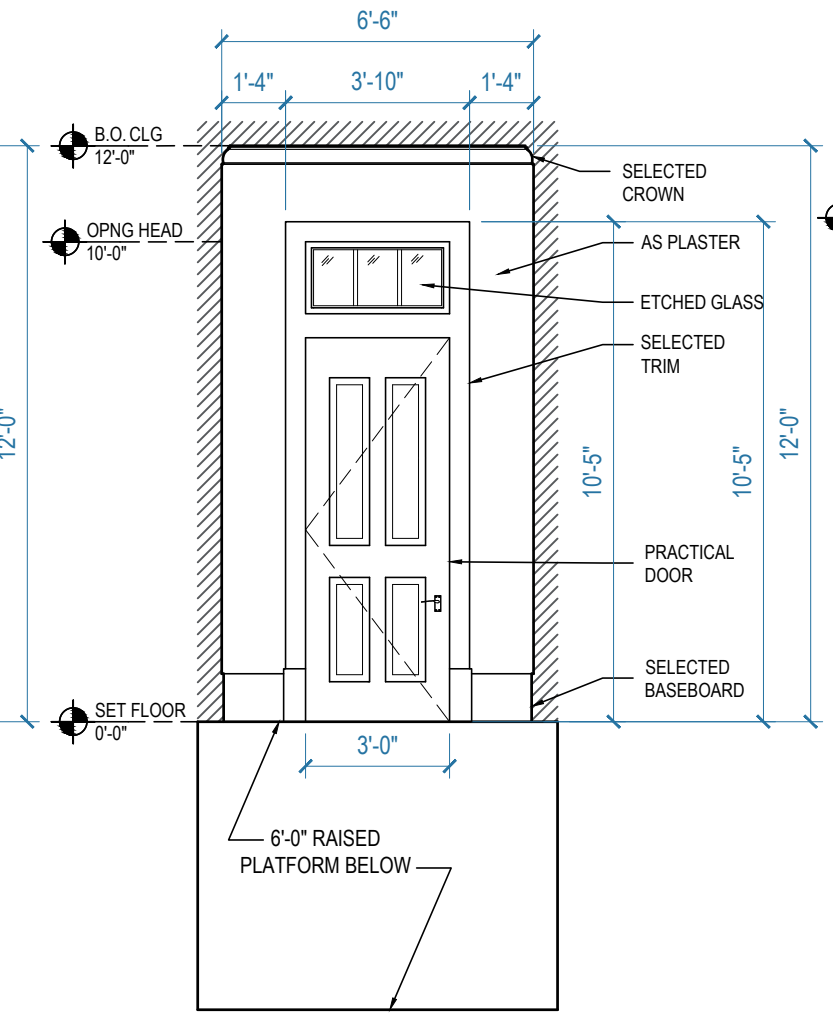
D ELEVATION - LIVING ROOM
SCALE: $\frac{1}{4}'' = 1'-0''$



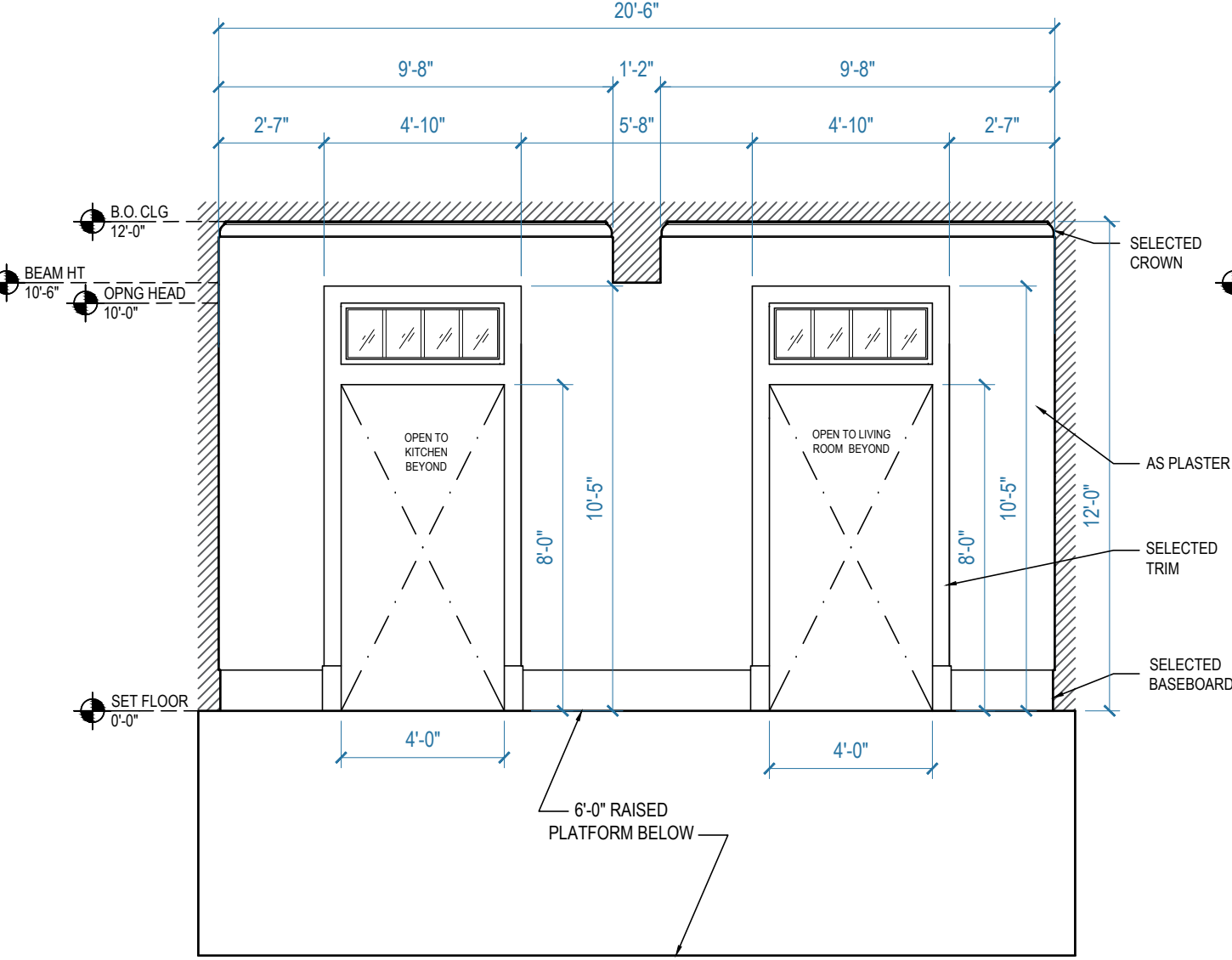
E ELEVATION - ENTRY WAY
SCALE: $\frac{1}{4}'' = 1'-0''$



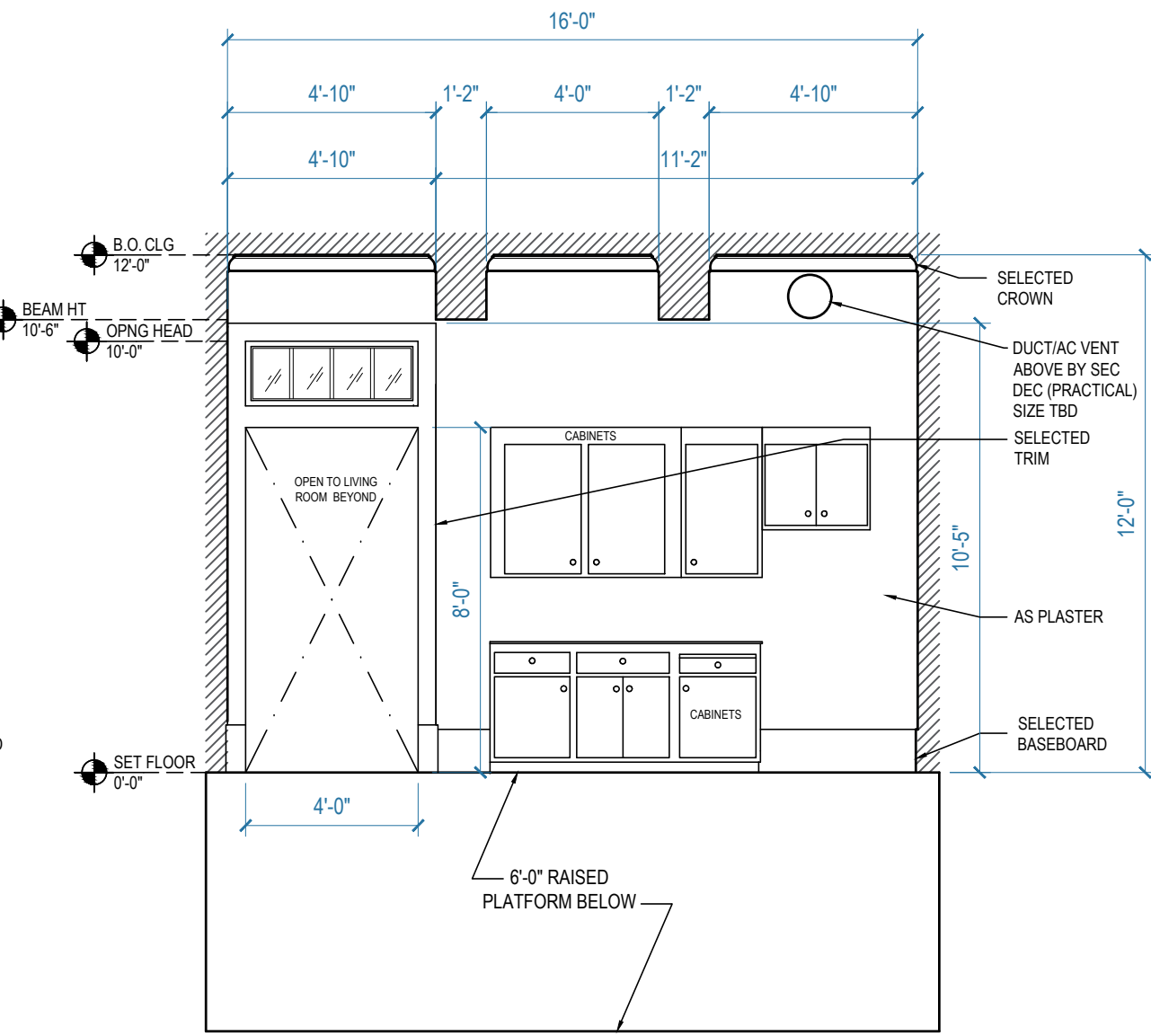
F ELEVATION - ENTRY WAY
SCALE: $\frac{1}{4}'' = 1'-0''$



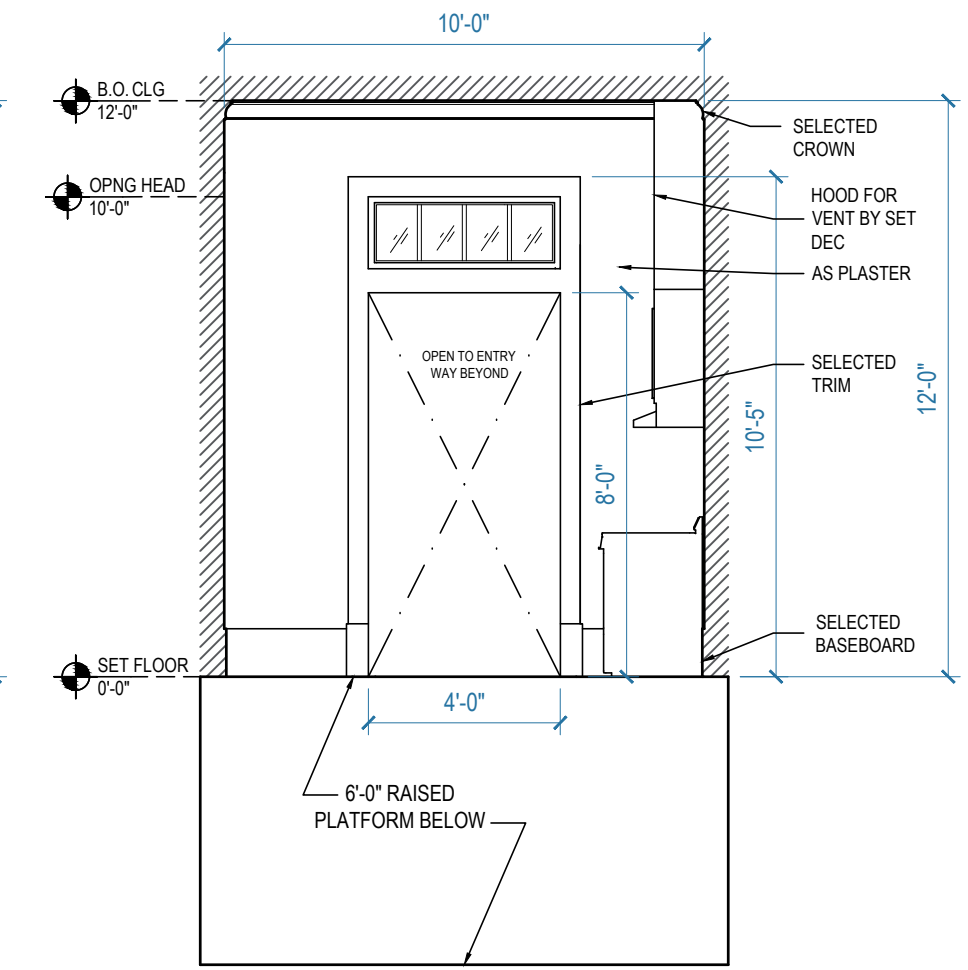
G ELEVATION - ENTRY WAY
SCALE: $\frac{1}{4}'' = 1'-0''$



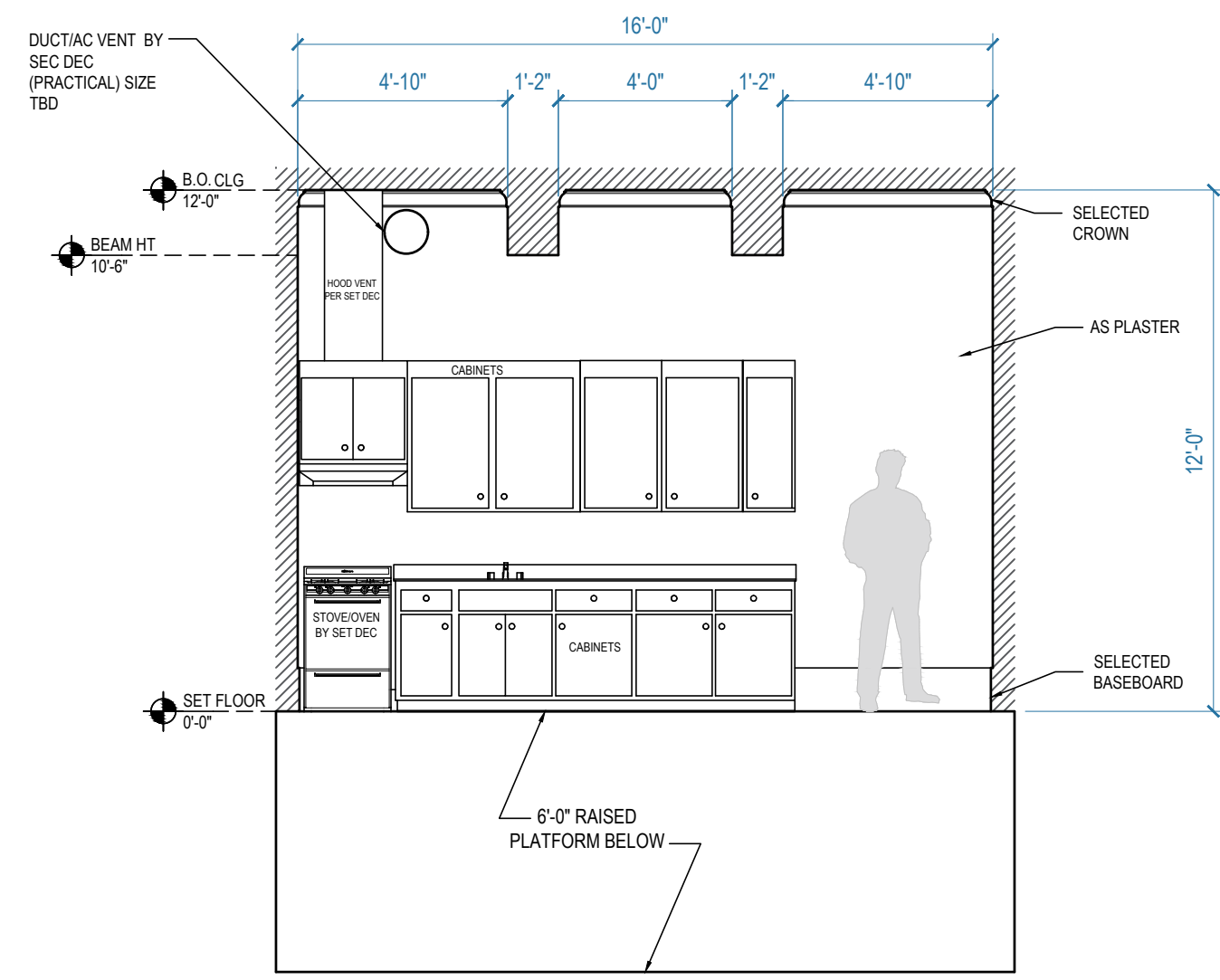
H ELEVATION - ENTRY WAY
SCALE: $\frac{1}{4}'' = 1'-0''$



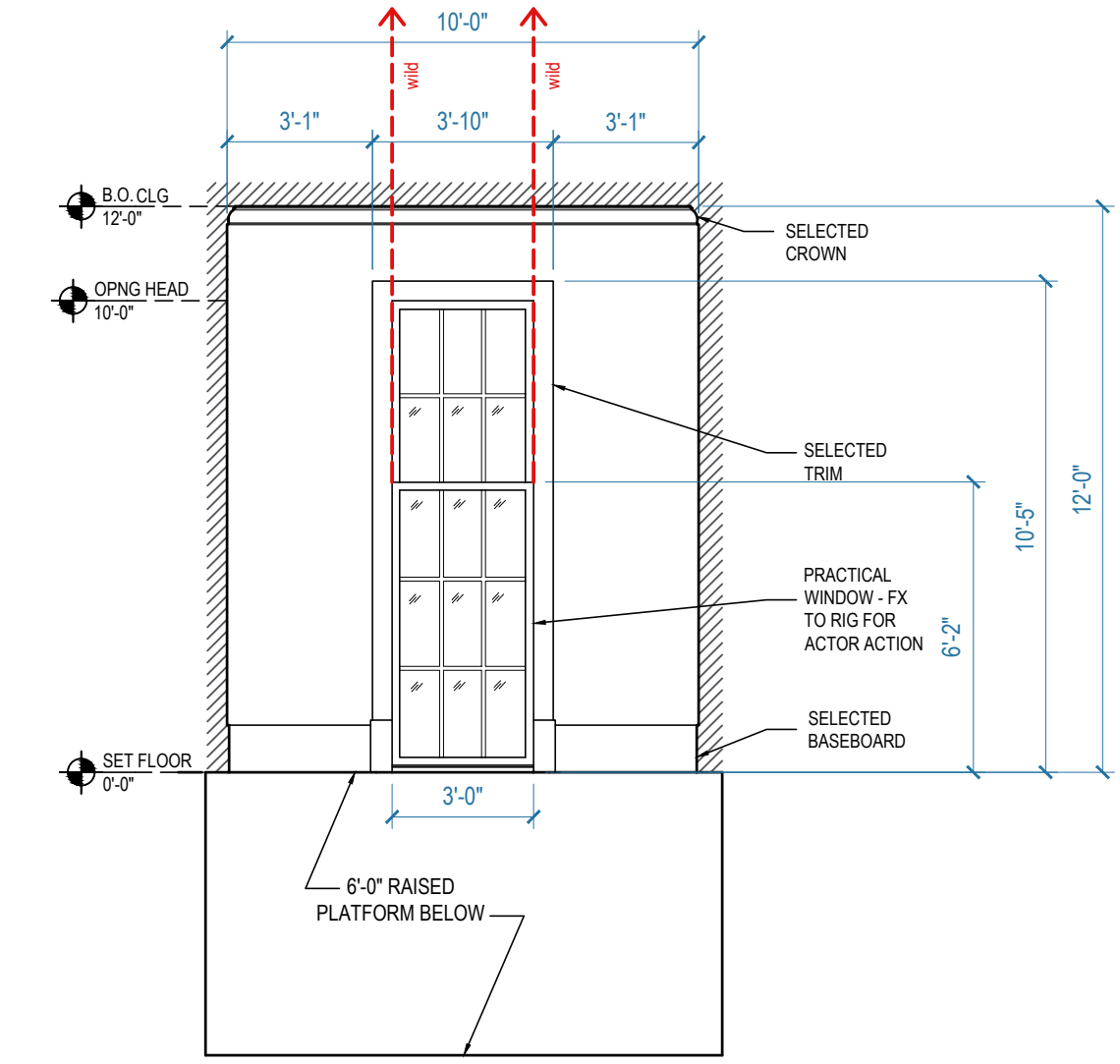
I ELEVATION - KITCHEN
SCALE: $\frac{1}{4}'' = 1'-0''$



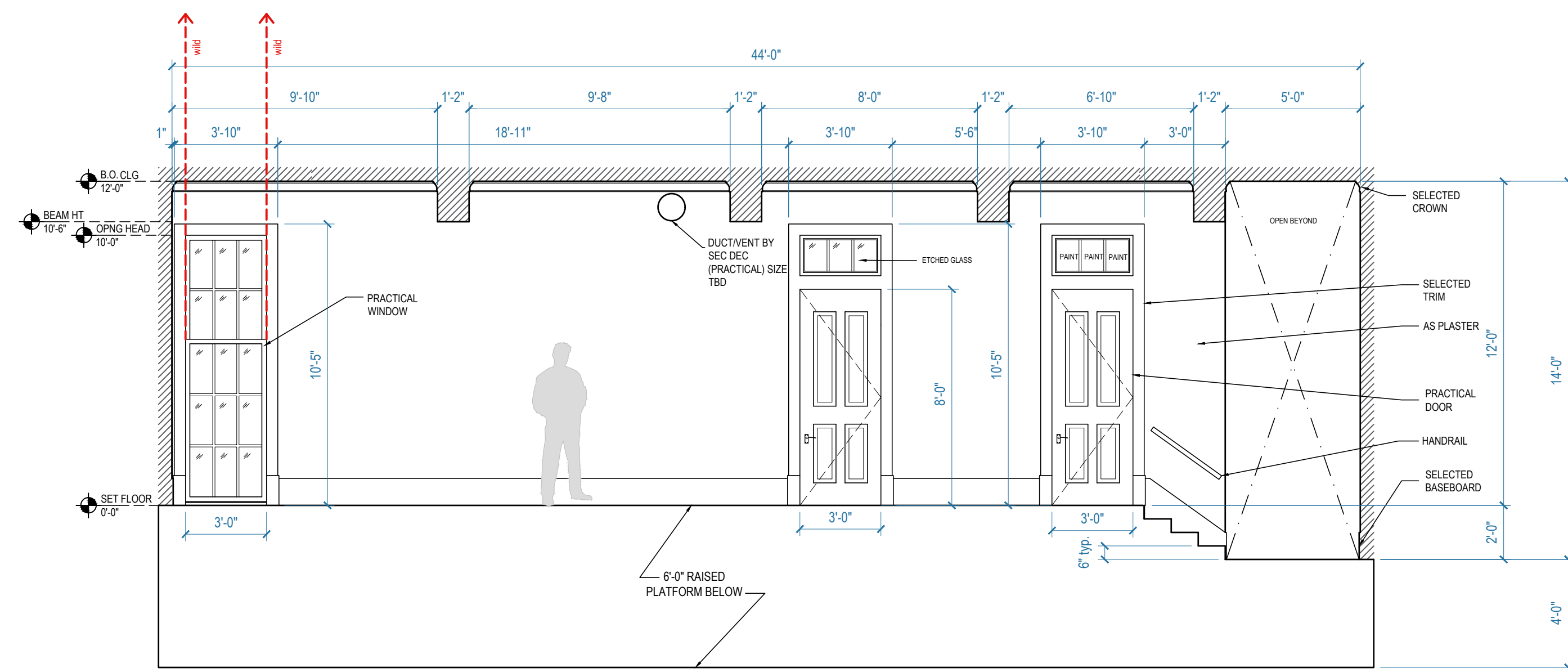
J ELEVATION - KITCHEN
SCALE: $\frac{1}{4}'' = 1'-0''$



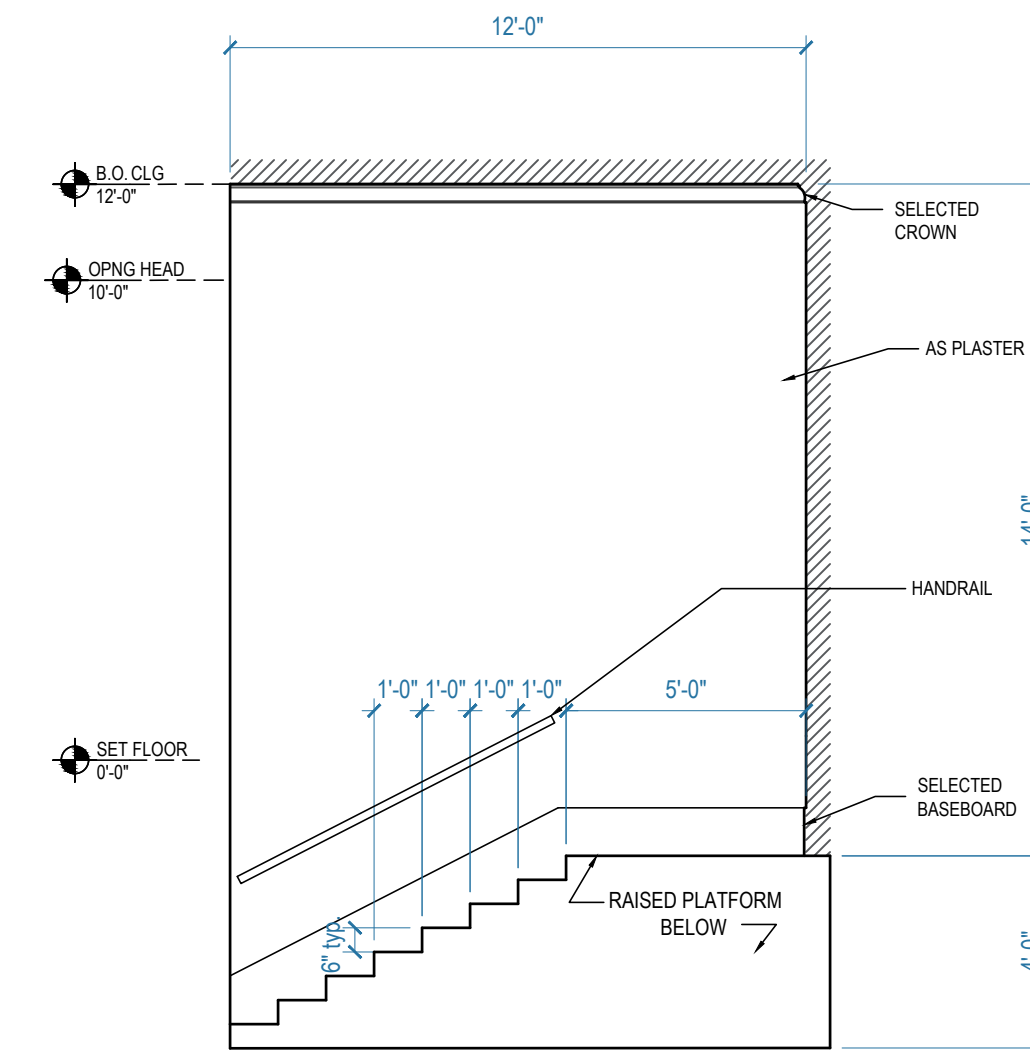
K ELEVATION - KITCHEN
SCALE: $\frac{1}{4}'' = 1'-0''$



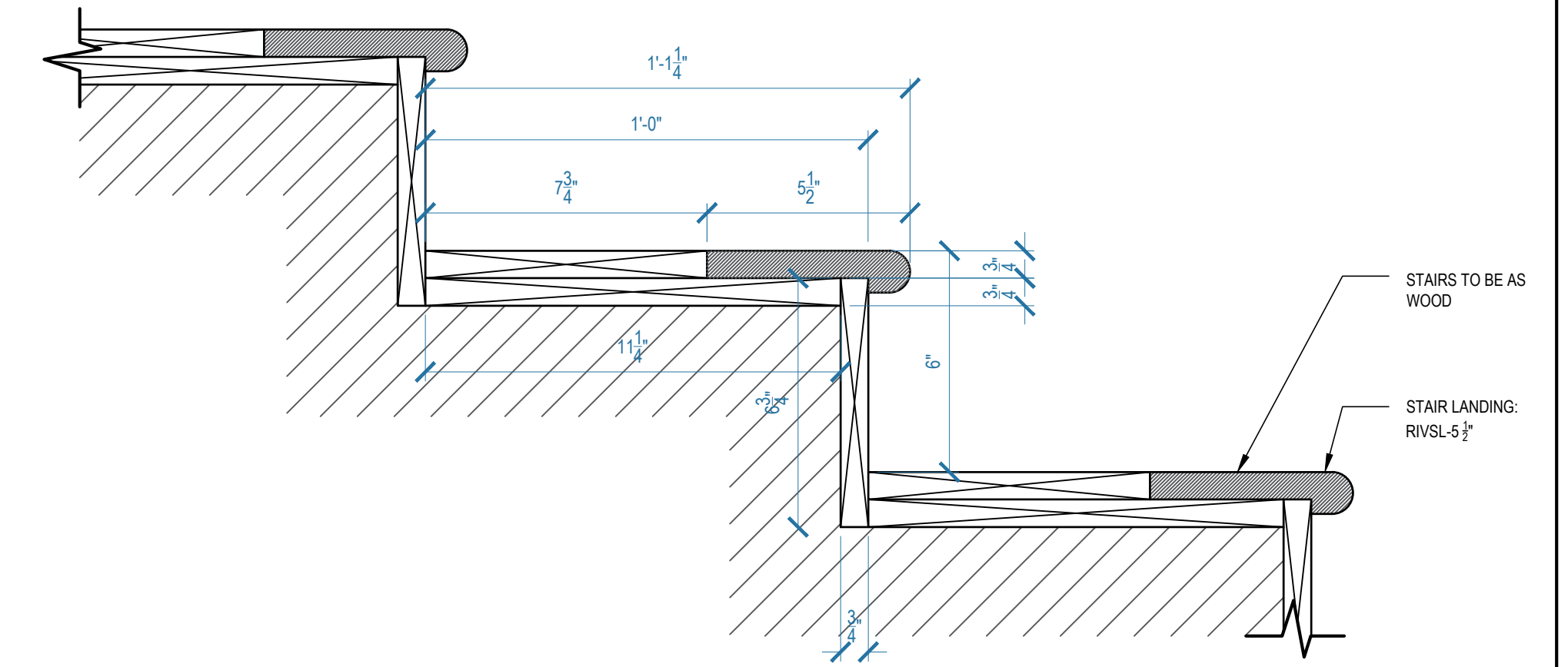
L ELEVATION - DINING ROOM
SCALE: $\frac{1}{4}'' = 1'-0''$



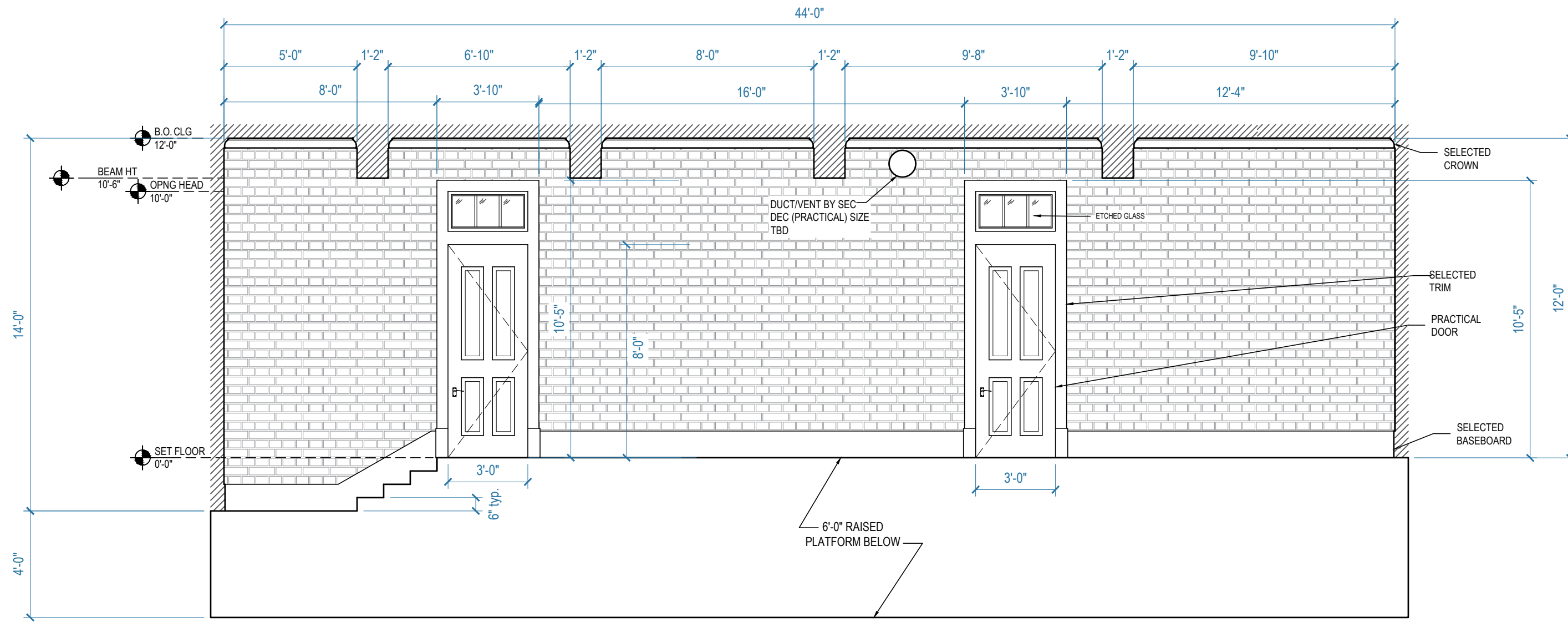
M ELEVATION - HALLWAY
SCALE: 1/4" = 1'-0"



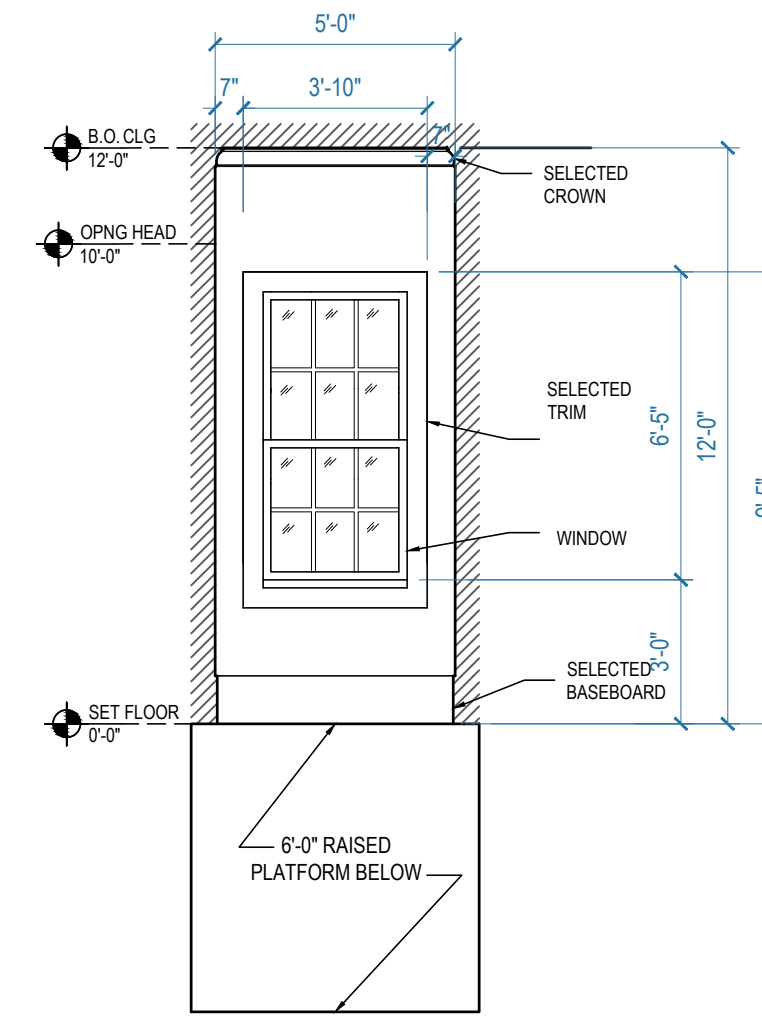
N ELEVATION - HALLWAY
SCALE: 1/4" = 1'-0"



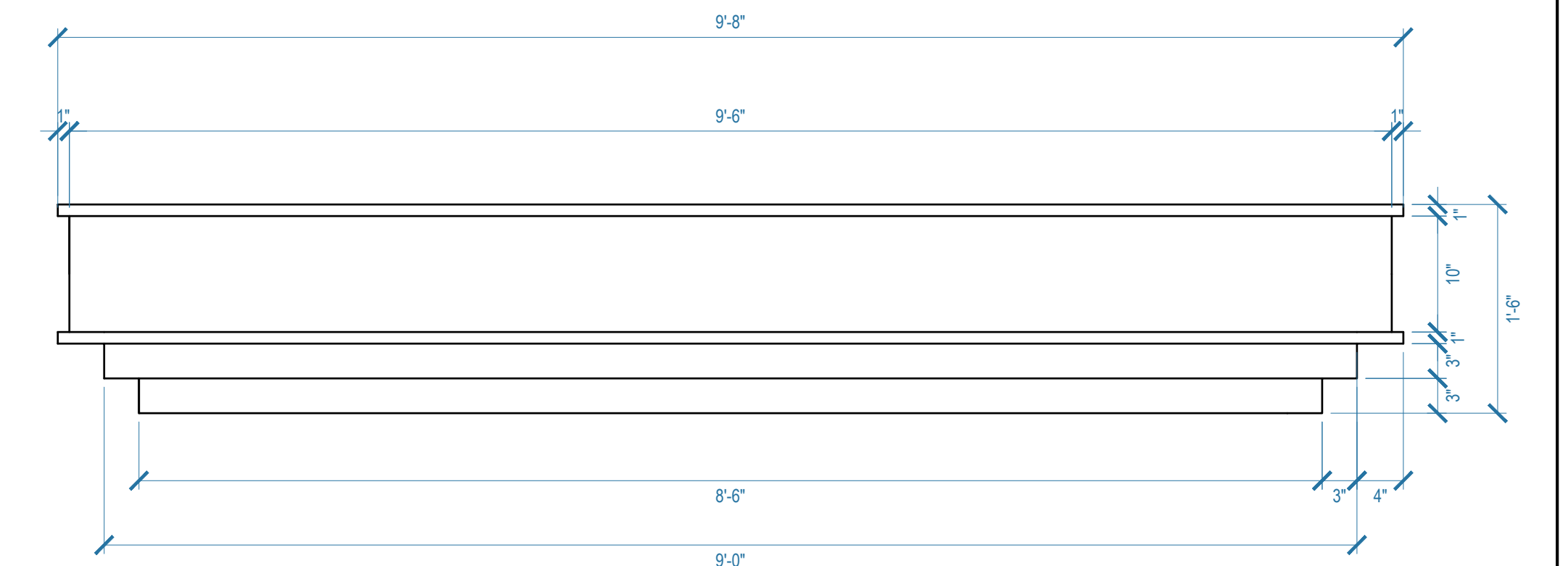
MM SECTION DETAIL - STAIR
SCALE: 3" = 1'-0"



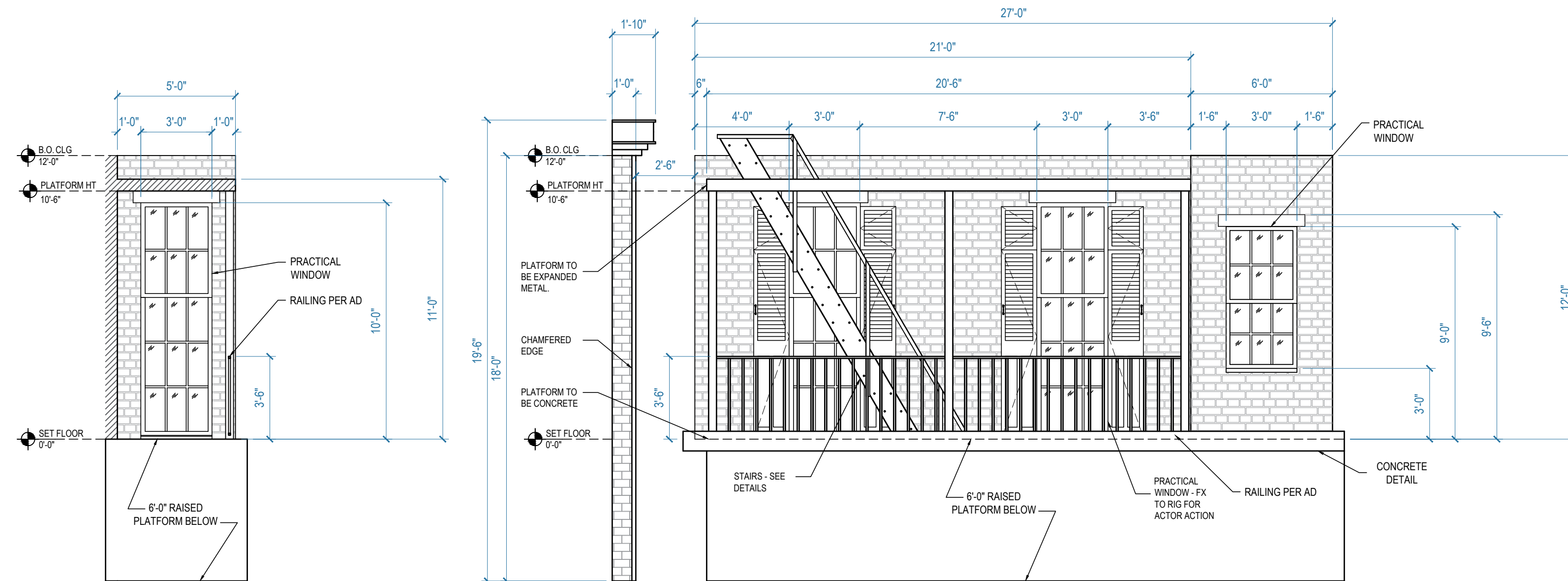
O ELEVATION - HALLWAY
SCALE: 1/4" = 1'-0"



P ELEVATION - HALLWAY
SCALE: 1/4" = 1'-0"

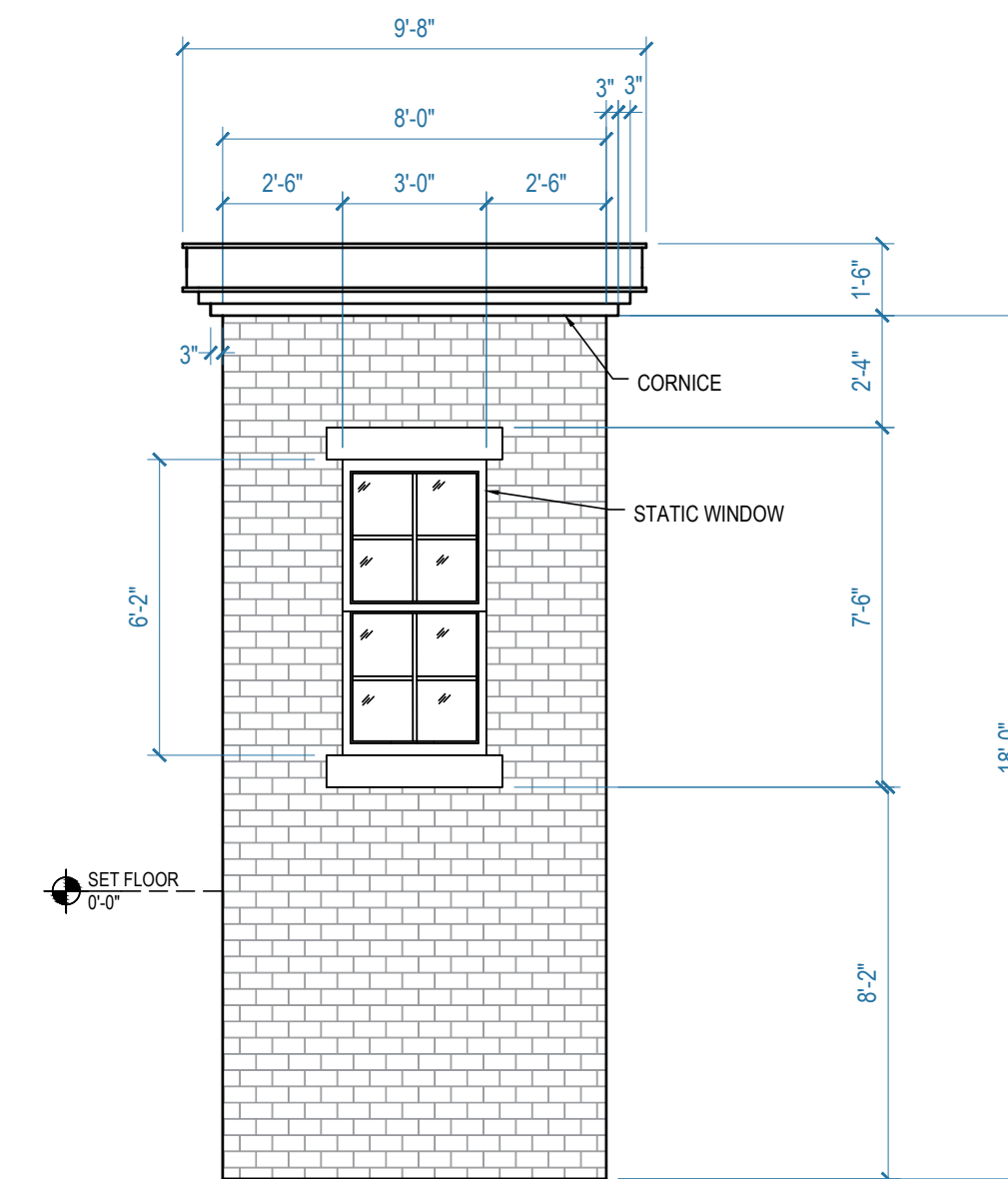


SS CORNICE FRONT ELEVATION
SCALE: 1" = 1'-0"

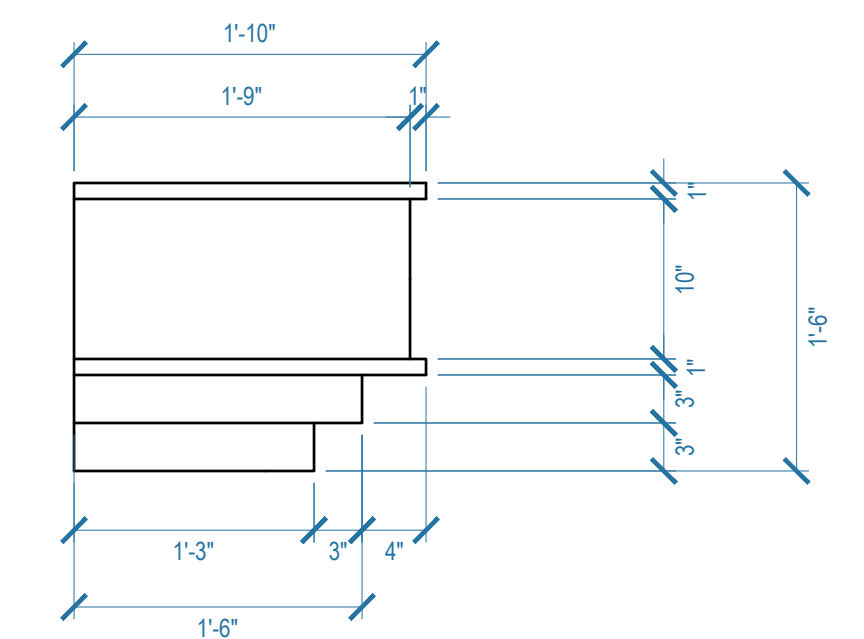


Q ELEVATION - BALCONY
SCALE: 1/4" = 1'-0"

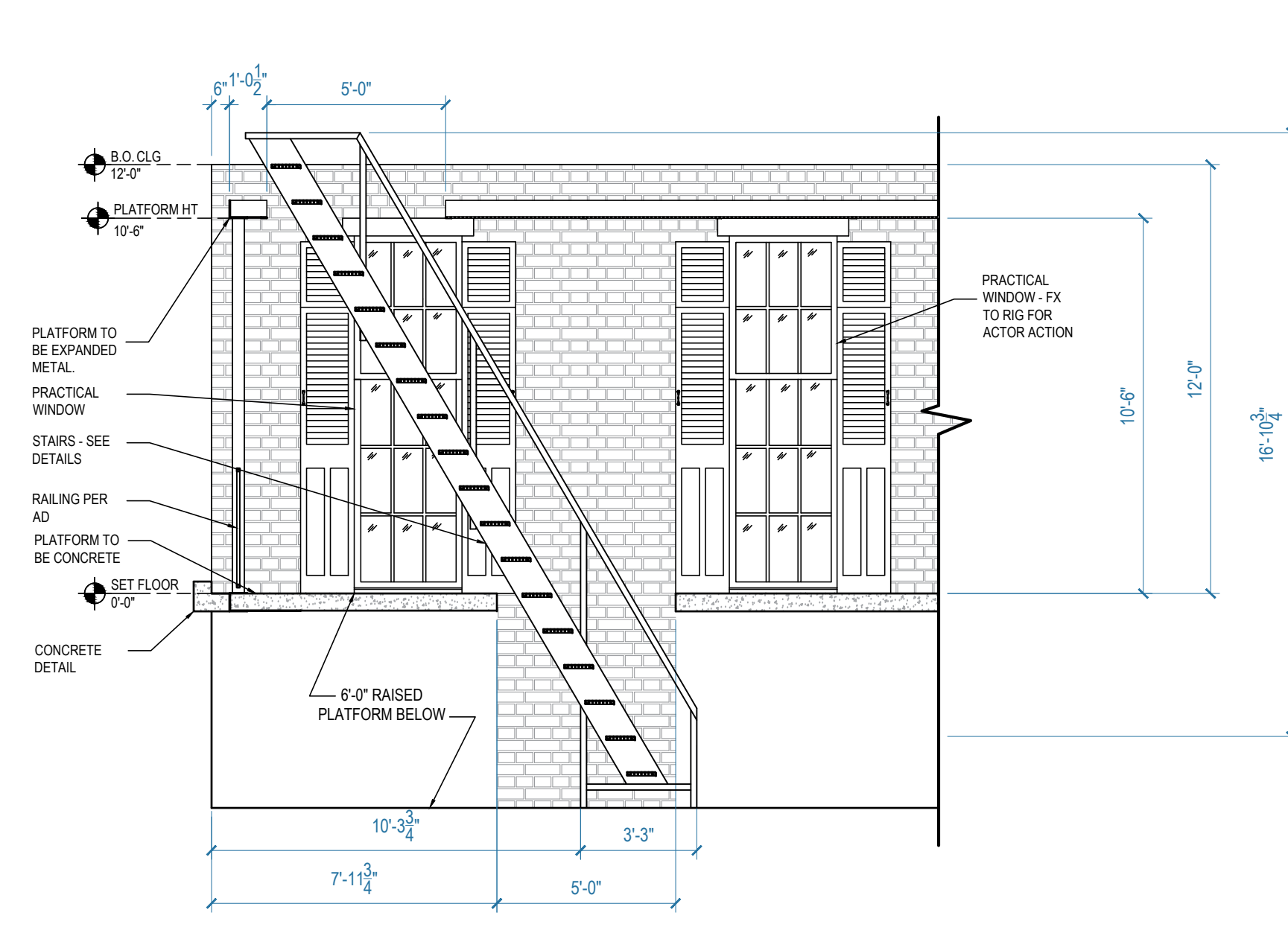
R ELEVATION - BALCONY
SCALE: 1/4" = 1'-0"



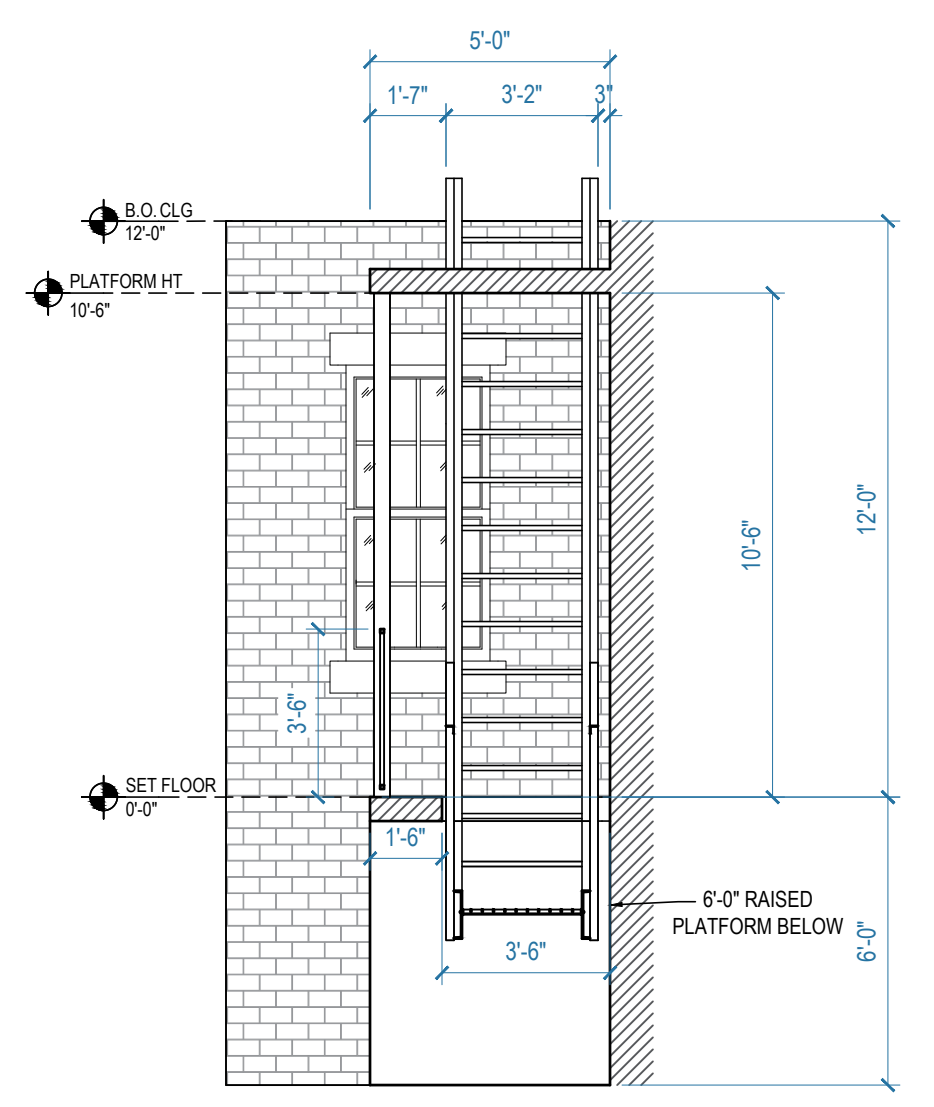
S ELEVATION - WALL
SCALE: 1/4" = 1'-0"



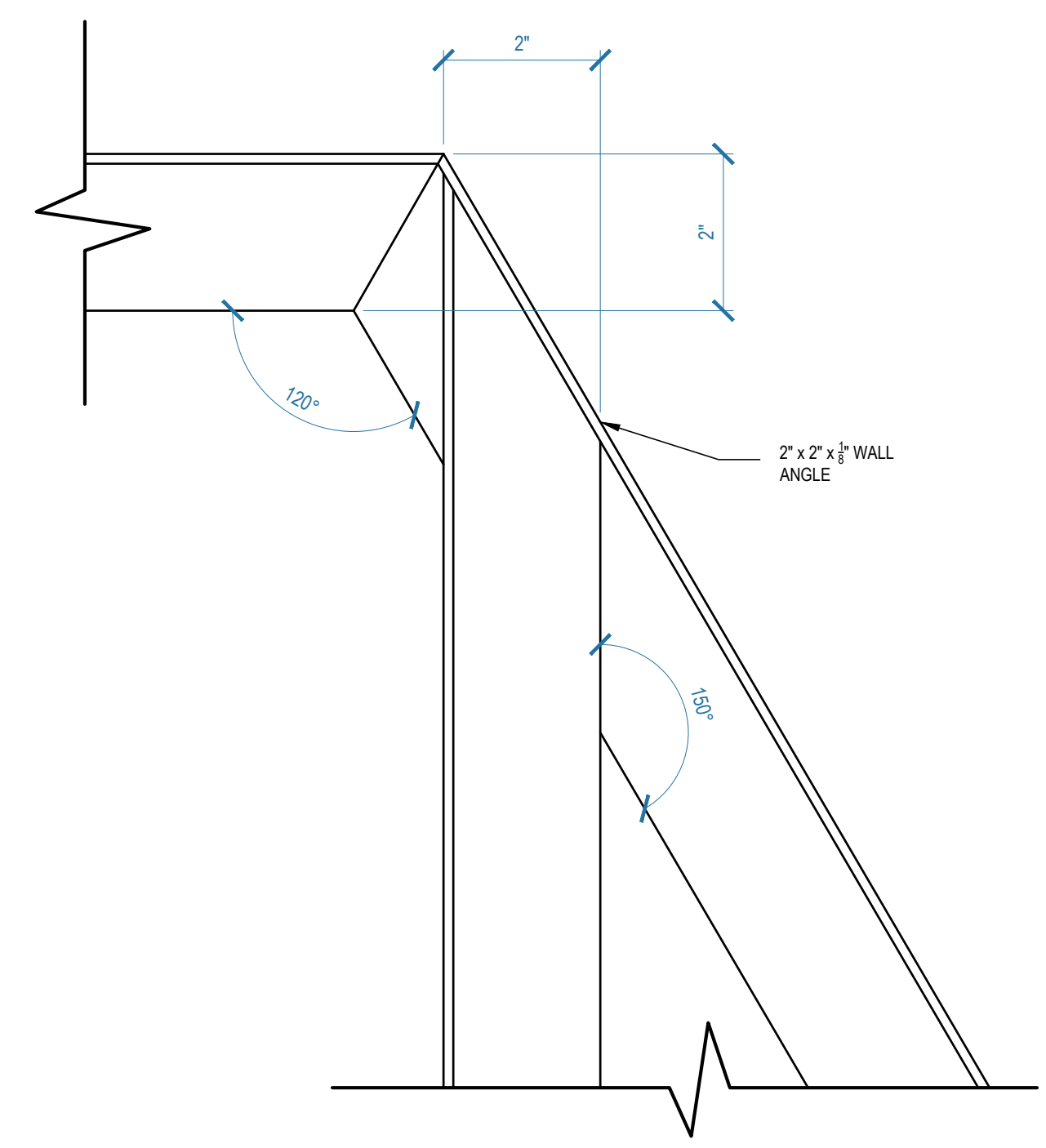
RR CORNICE SIDE ELEVATION
SCALE: 1" = 1'-0"



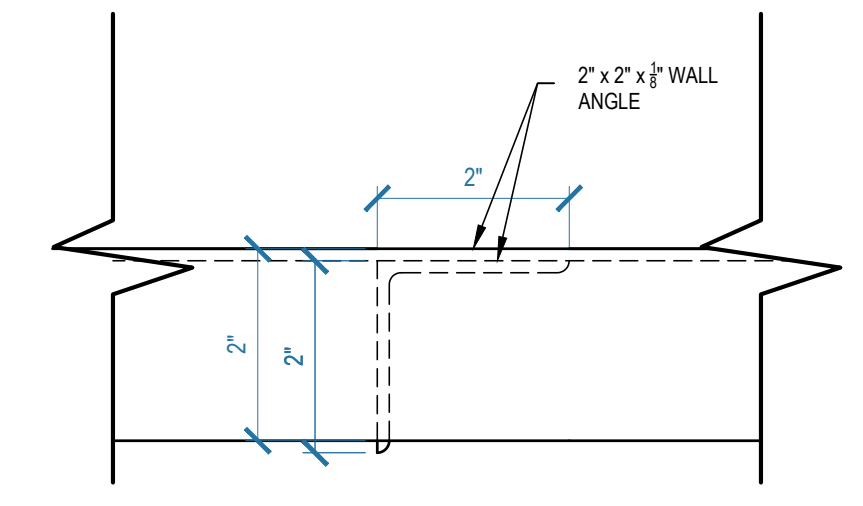
U SECTION - BALCONY
SCALE: 3/8" = 1'-0"



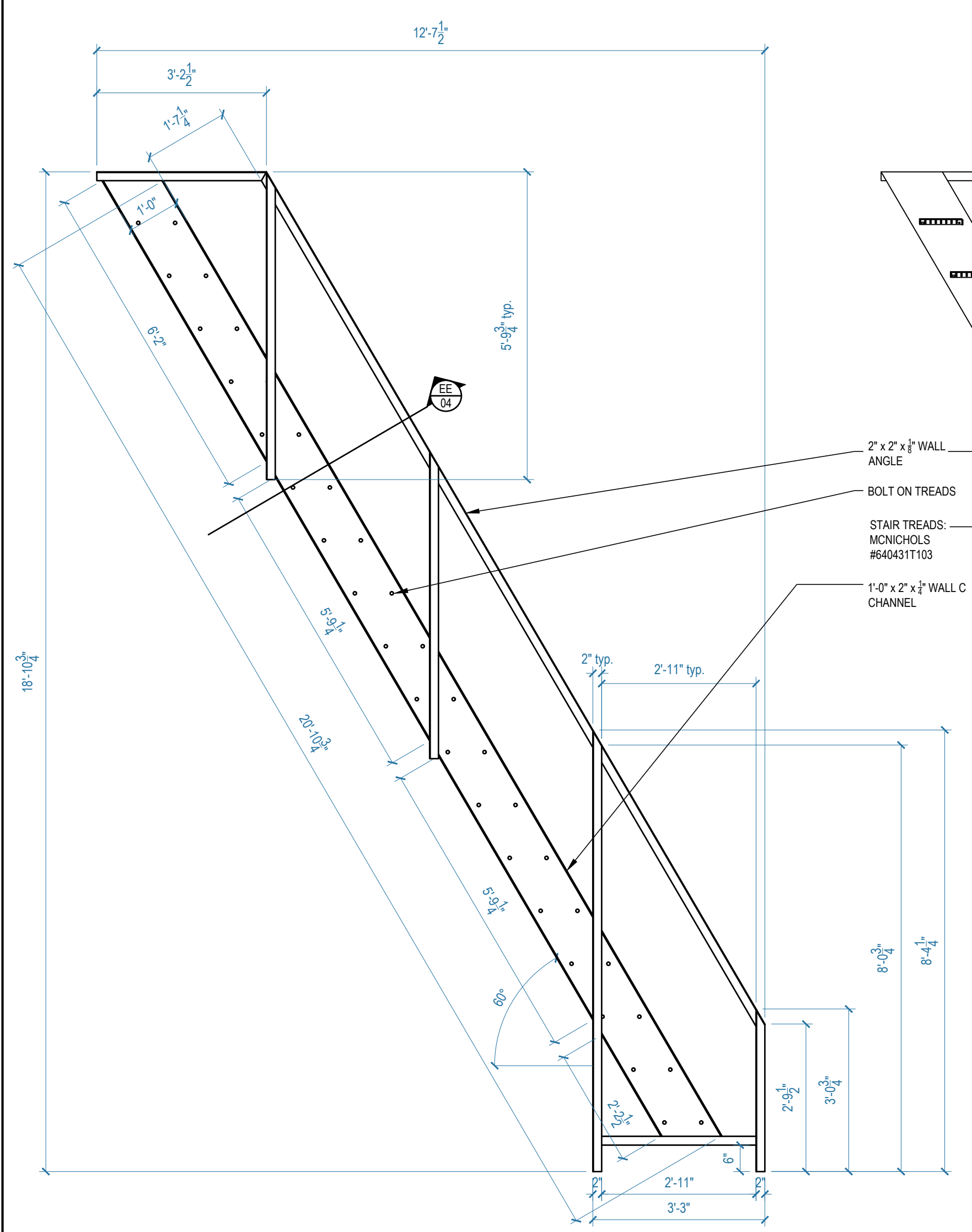
T SECTION - BALCONY
SCALE: 3/8" = 1'-0"



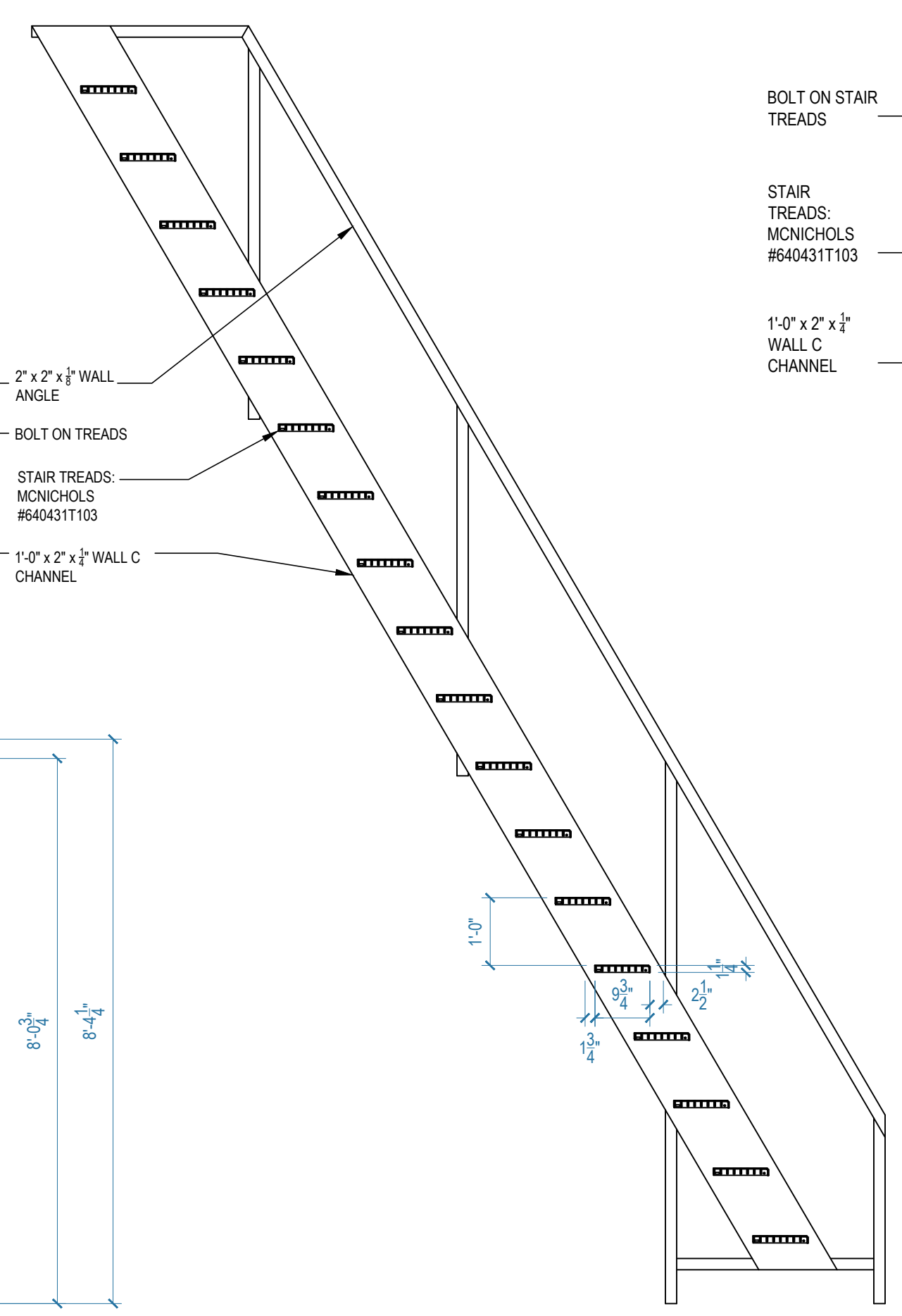
CC DETAIL - RAILING
SCALE: 6" = 1'-0"



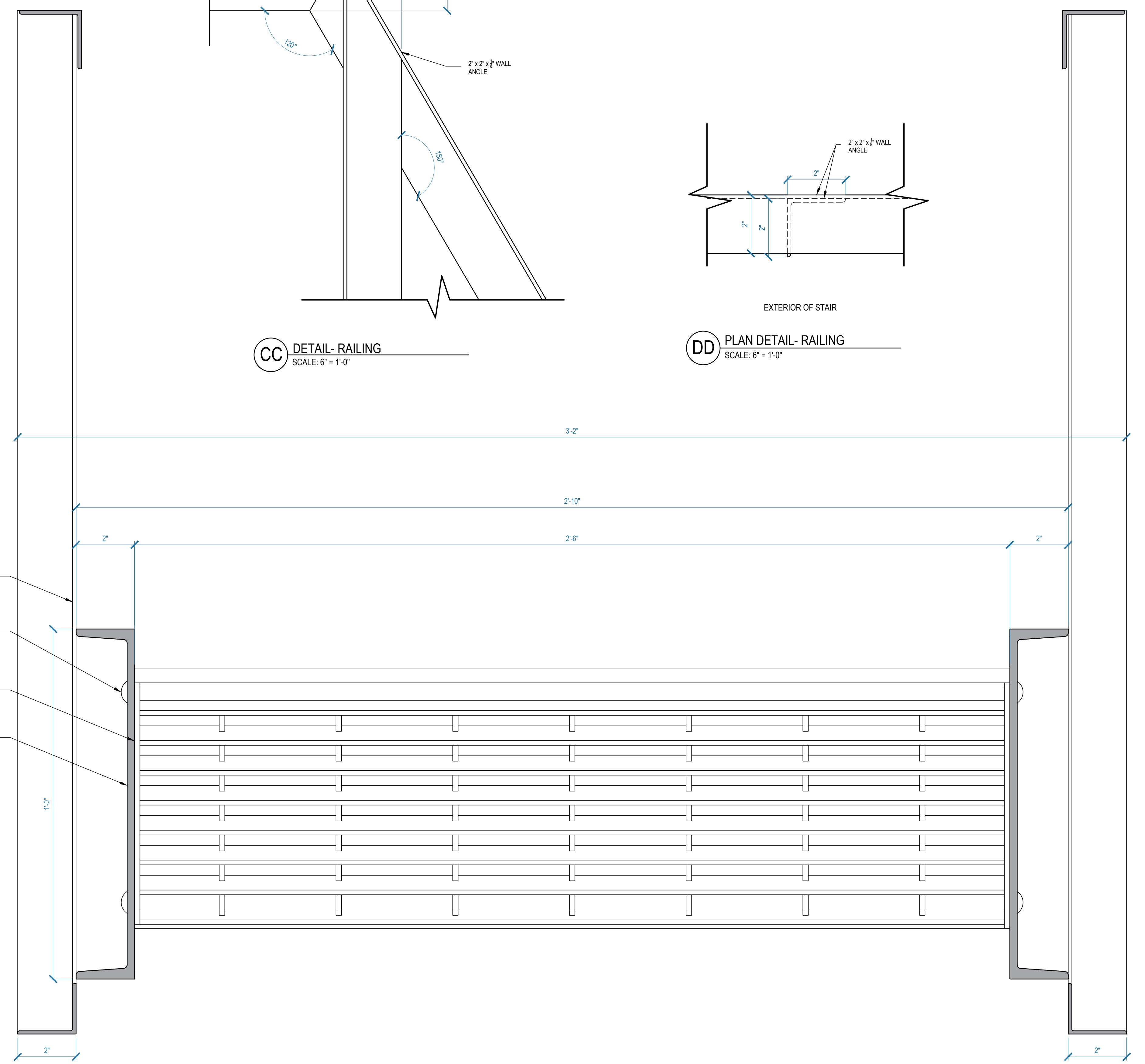
DD PLAN DETAIL - RAILING
SCALE: 6" = 1'-0"



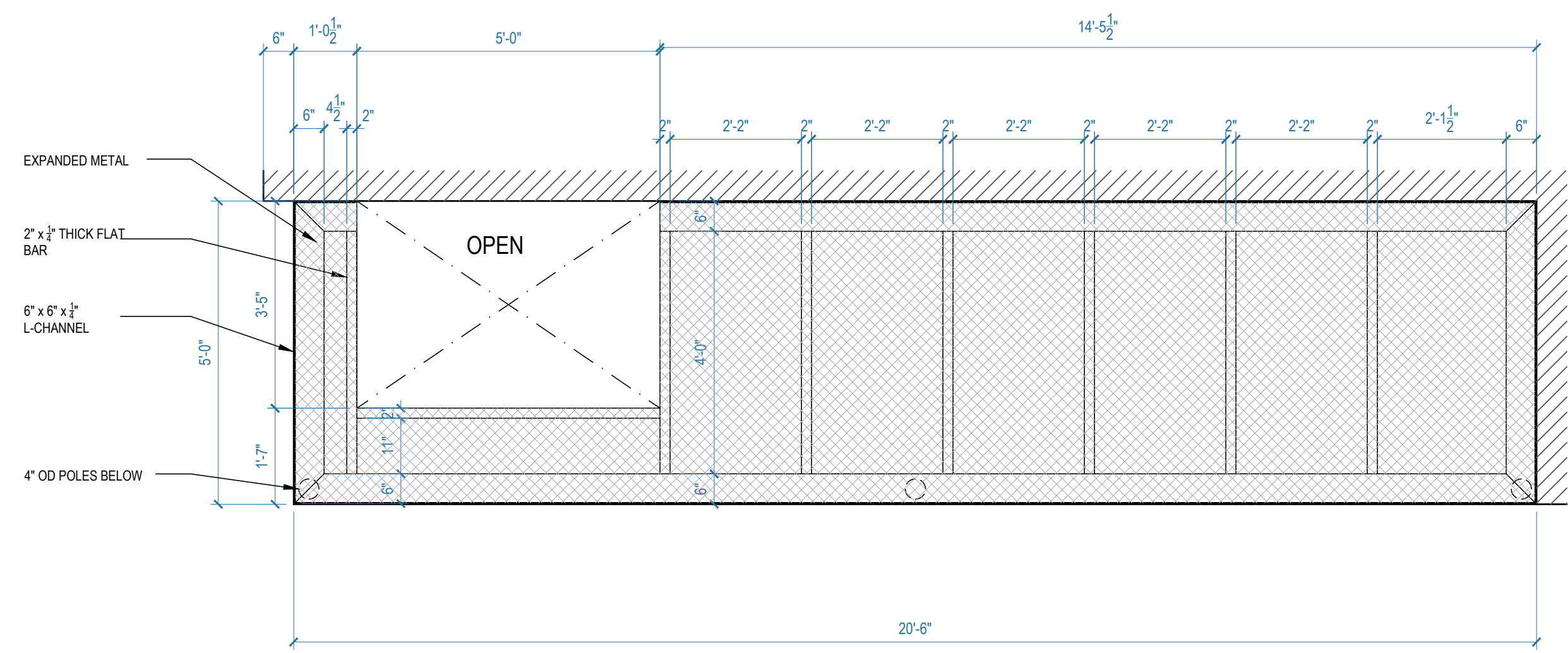
AA ELEVATION - STAIR
SCALE: 3/8" = 1'-0"



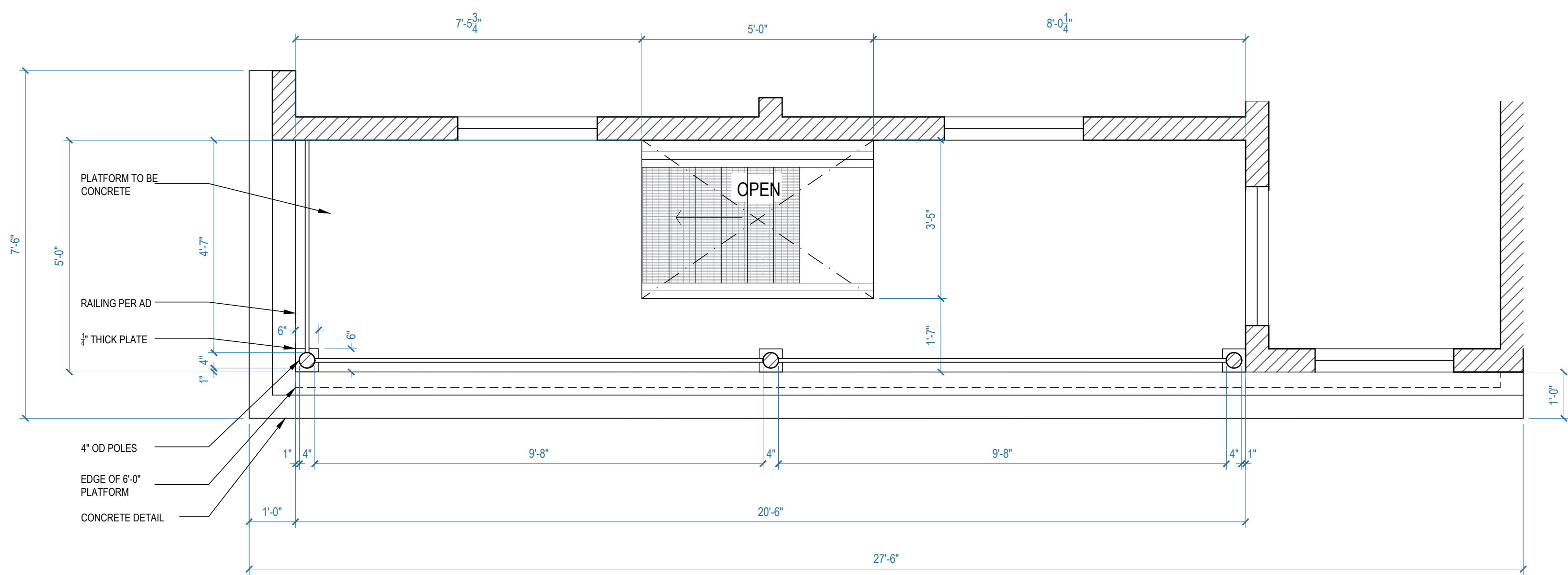
BB SECTION - STAIR
SCALE: 3/8" = 1'-0"



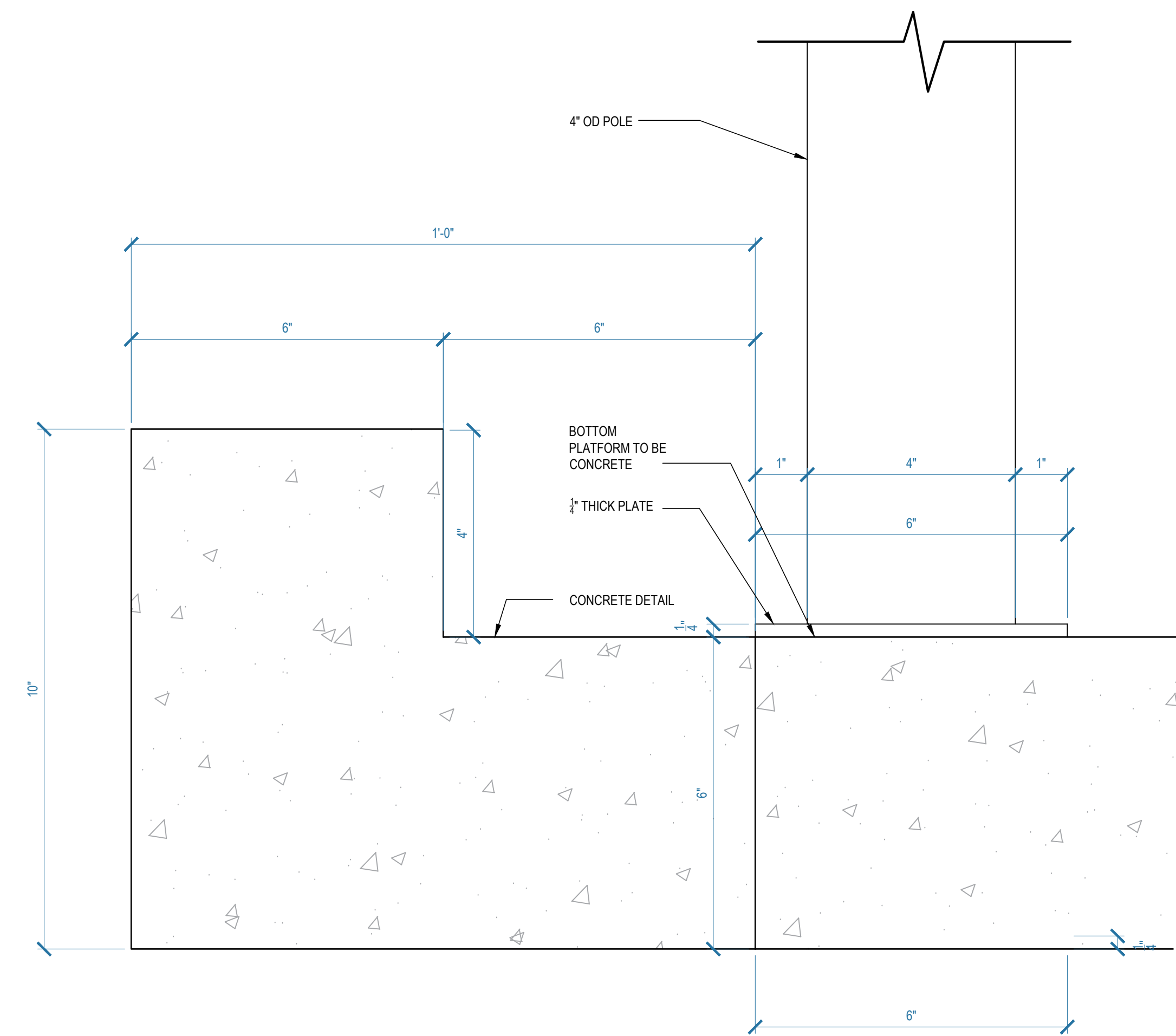
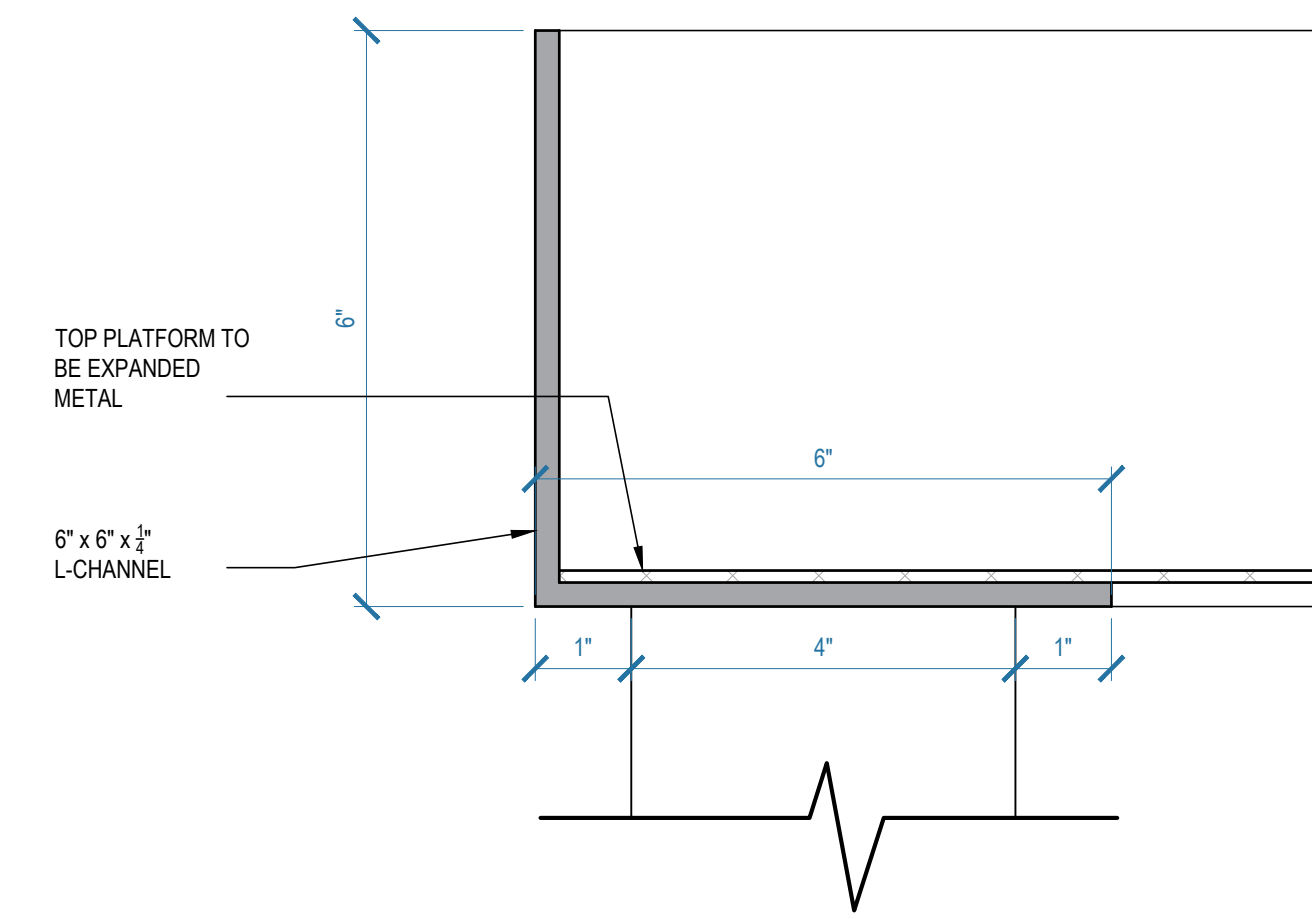
EE SECTION DETAIL - STAIR
SCALE: 6" = 1'-0"



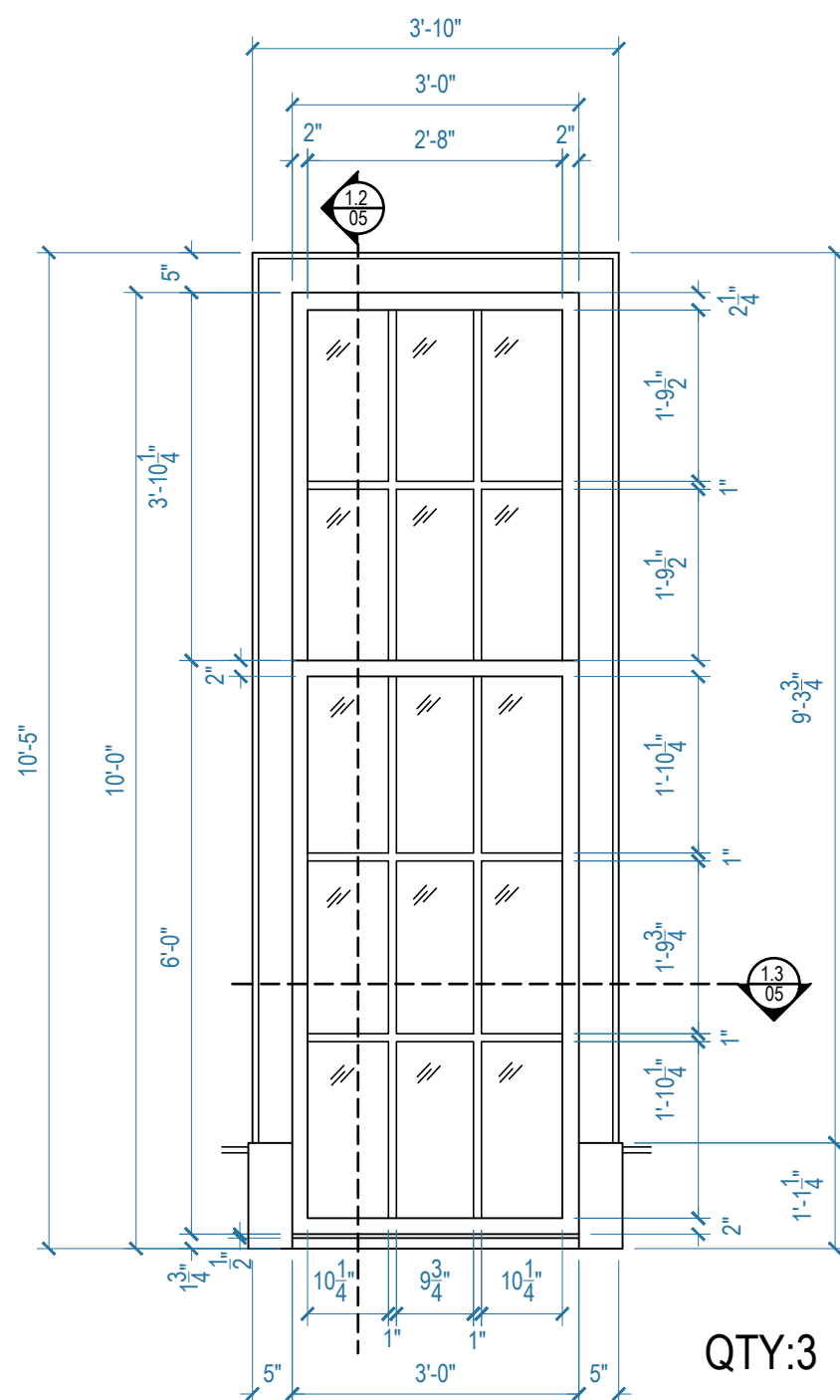
3 TOP BALCONY PLATFORM PLAN
SCALE: 1/2" = 1'-0"



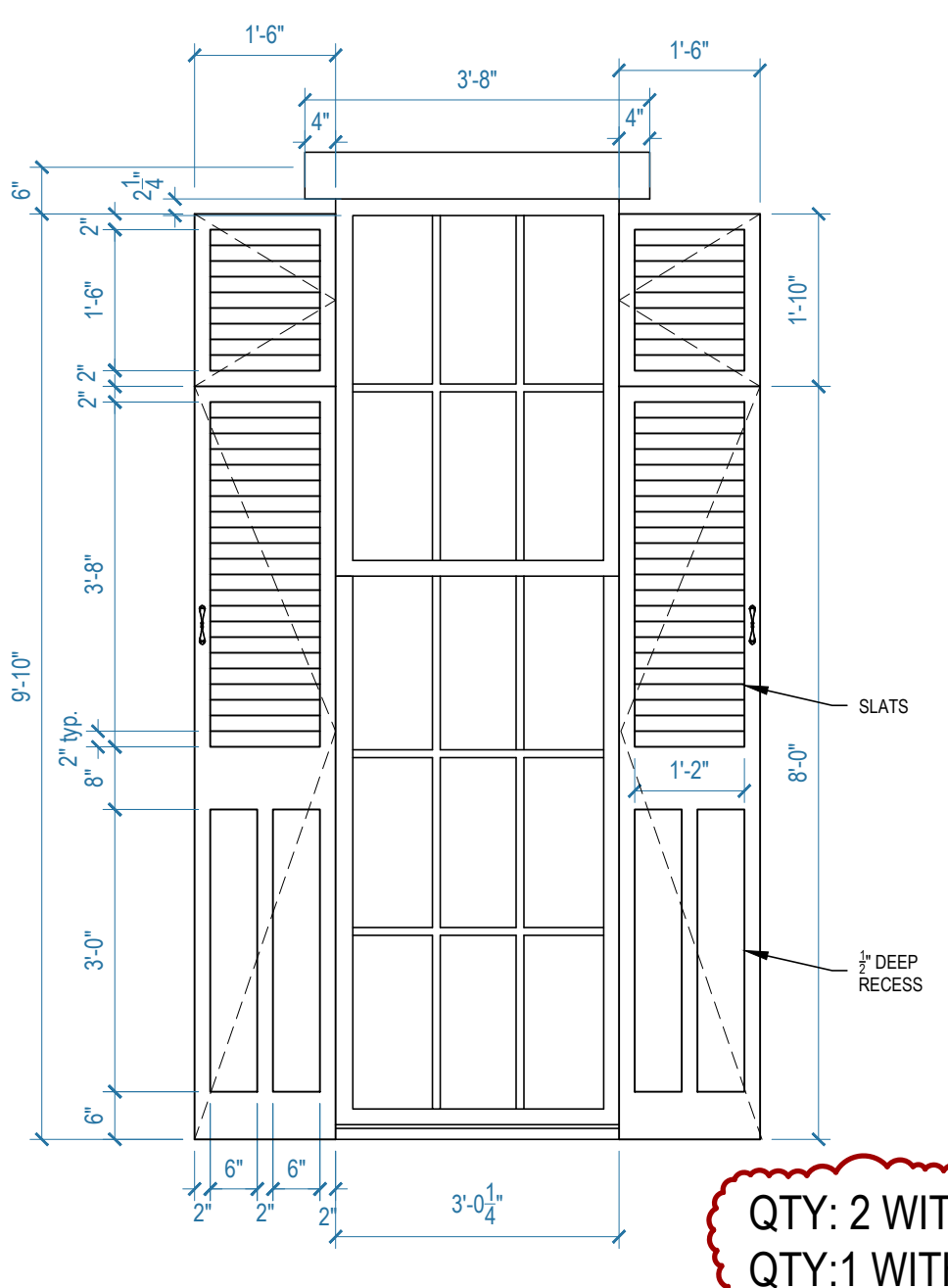
4 BOTTOM BALCONY PLATFORM PLAN
SCALE: 1/2" = 1'-0"



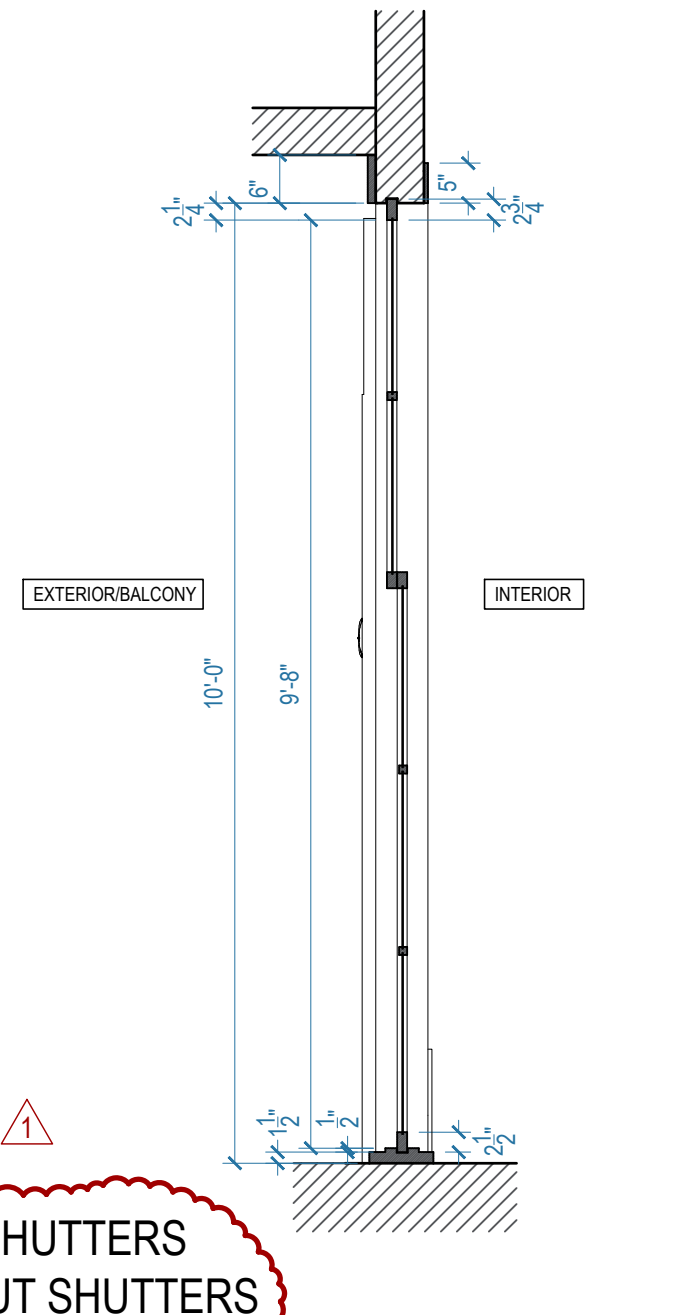
5 PLATFORM DETAIL
SCALE: 6" = 1'-0"



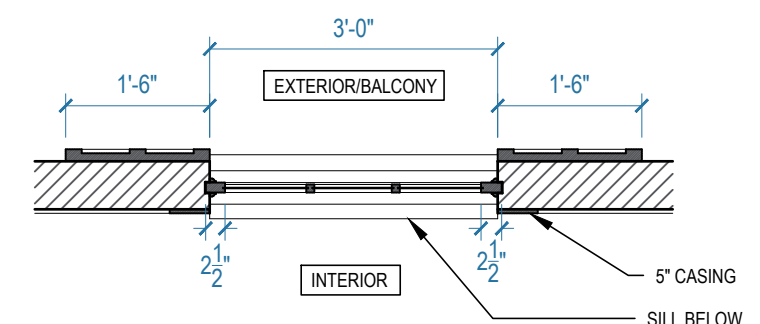
1.0 INT ELEVATION - WINDOW 1
SCALE: 1/2" = 1'-0"



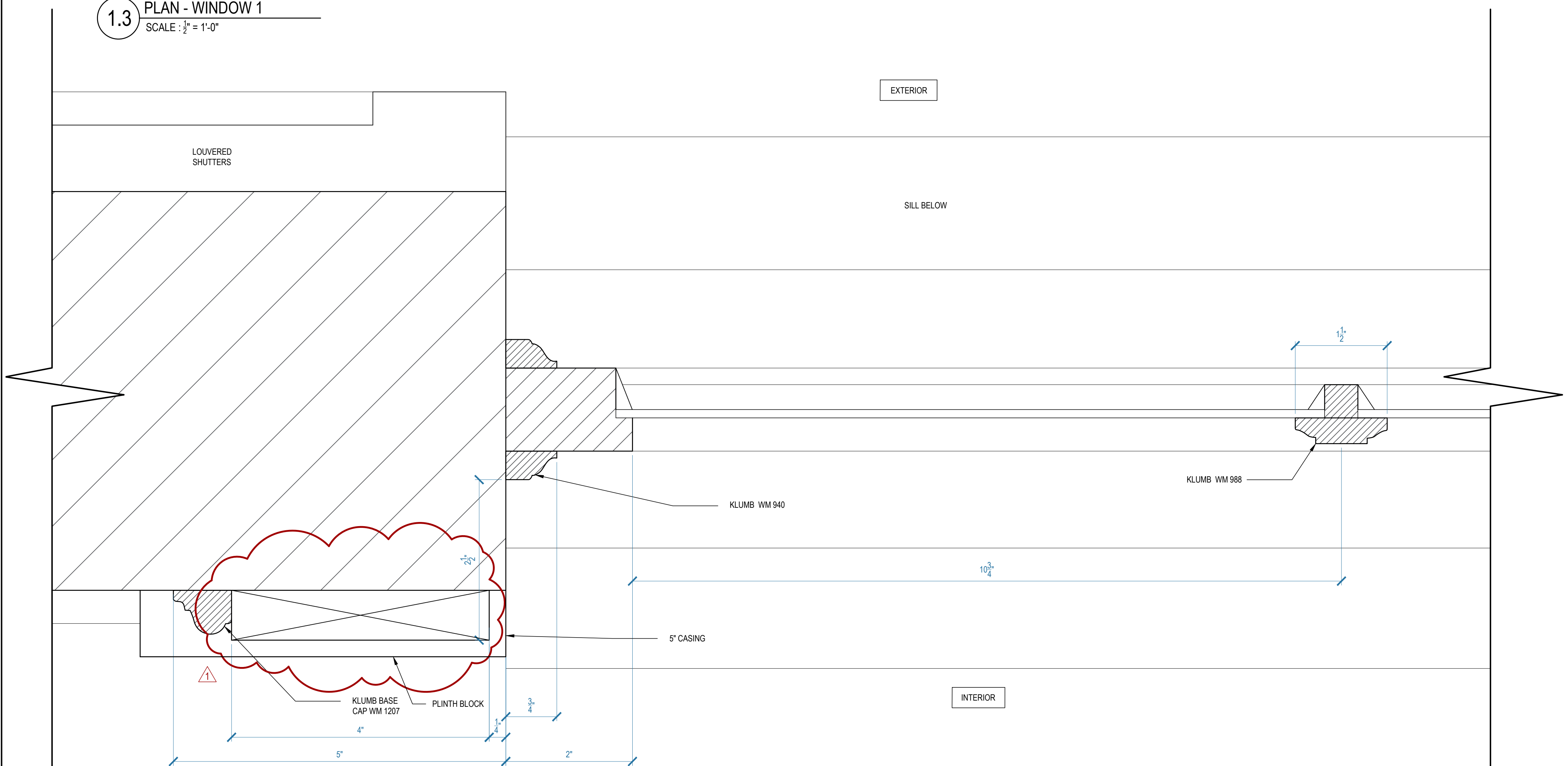
1.1 EXT ELEVATION - WINDOW 1
SCALE: 1/2" = 1'-0"



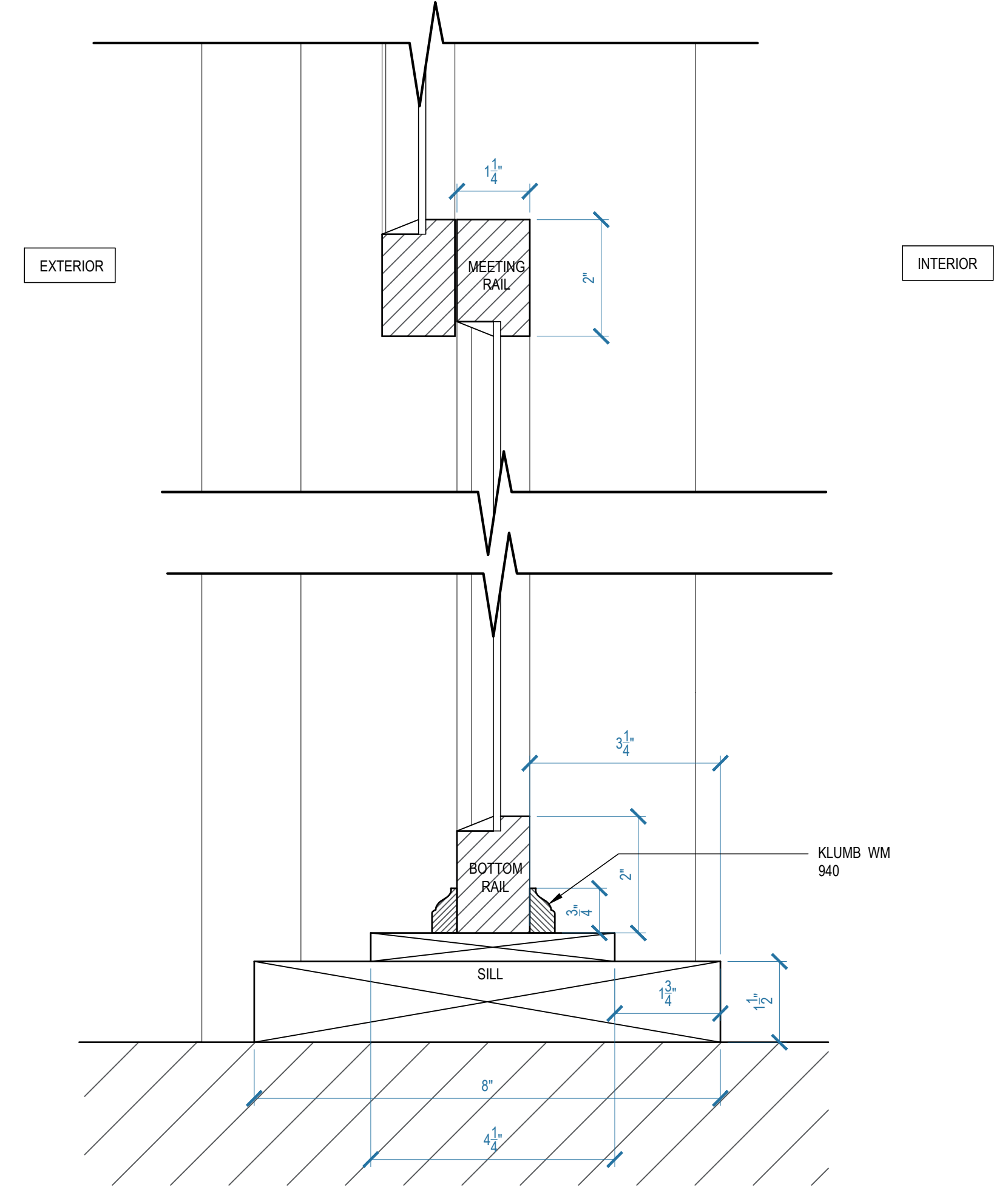
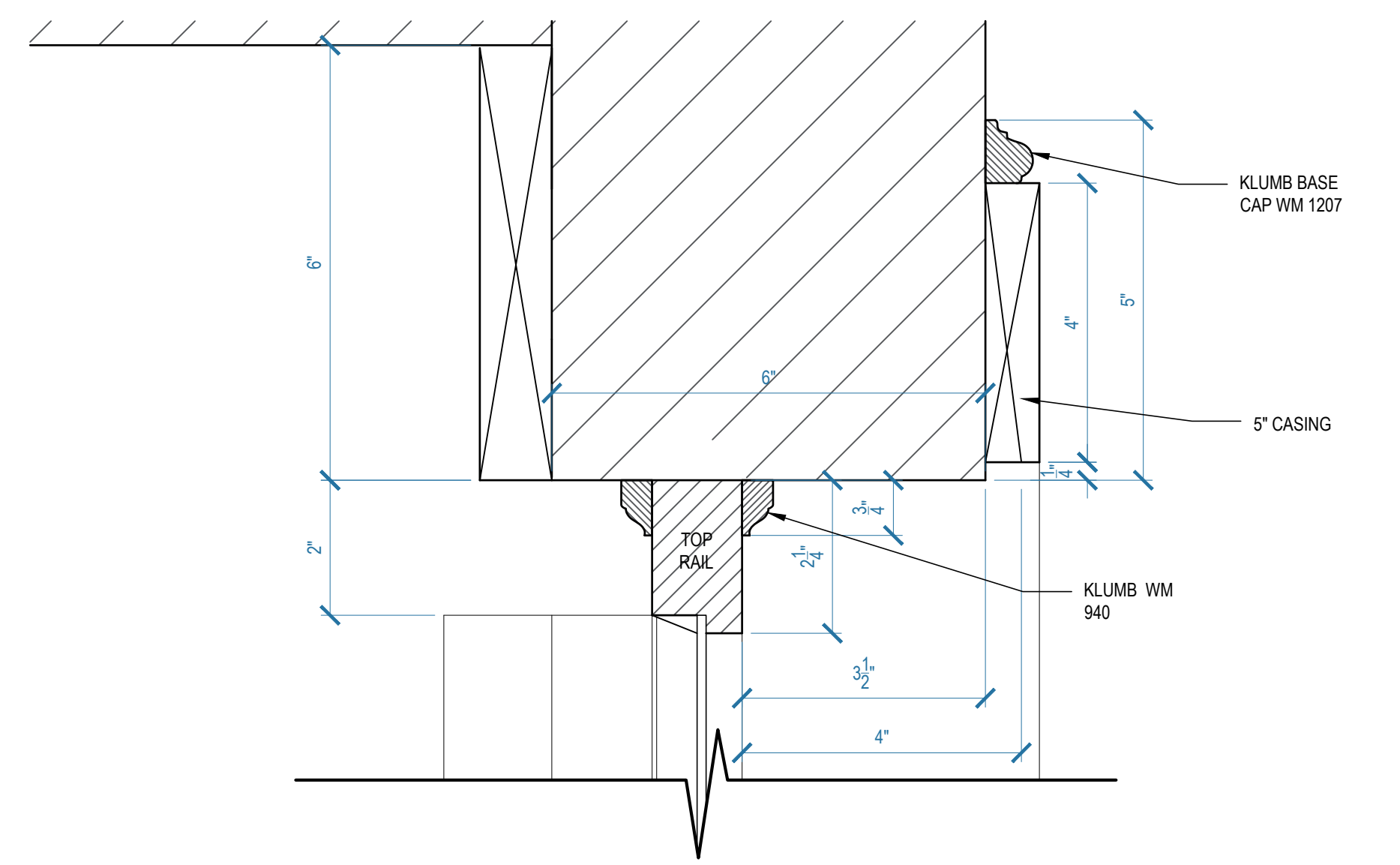
1.2 SECTION - WINDOW 1
SCALE: 1/2" = 1'-0"



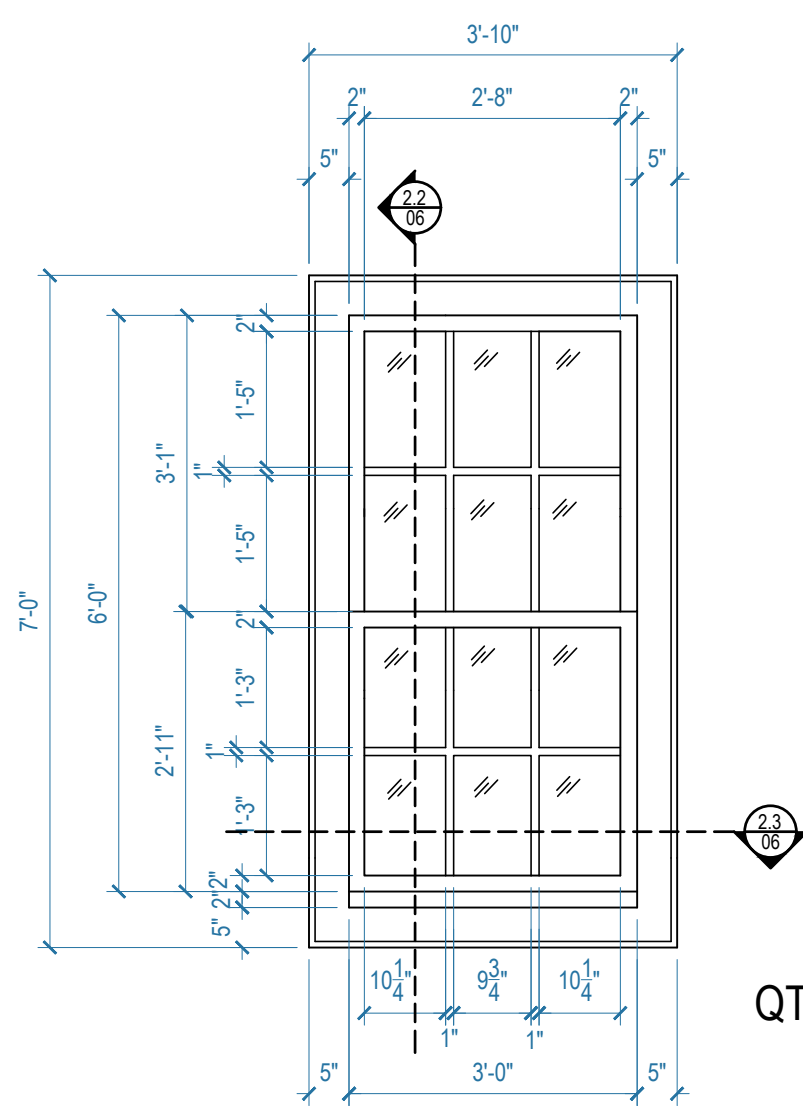
1.3 PLAN - WINDOW 1
SCALE: 1/2" = 1'-0"



1.4 WINDOW 1 PLAN DETAIL
FULL SCALE

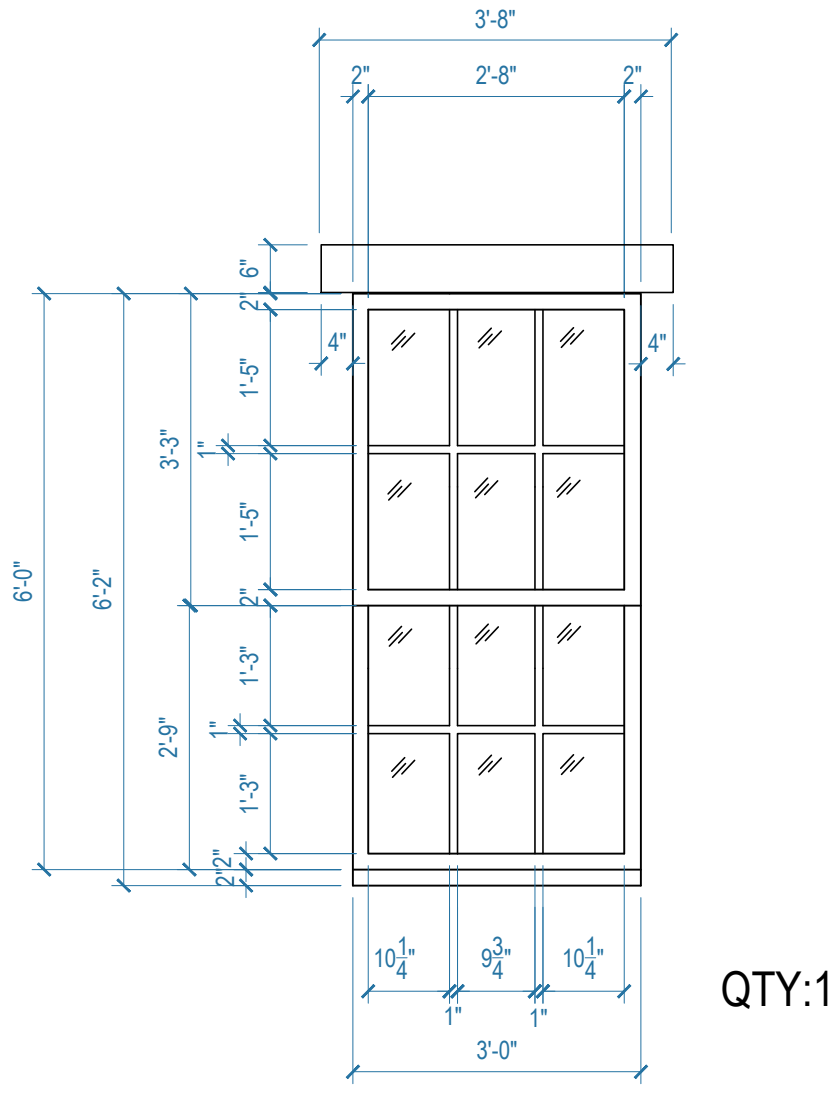


1.5 WINDOW 1 SECTION DETAIL
SCALE: 6" = 1'-0"



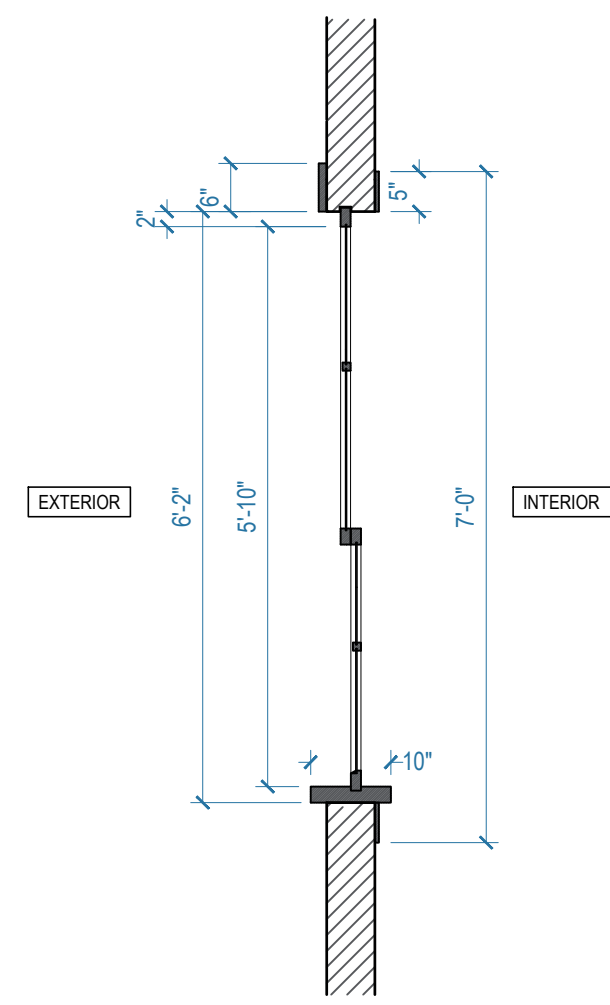
QTY:1

2.0 INT ELEVATION - WINDOW 2
SCALE : $\frac{1}{2}'' = 1'-0''$

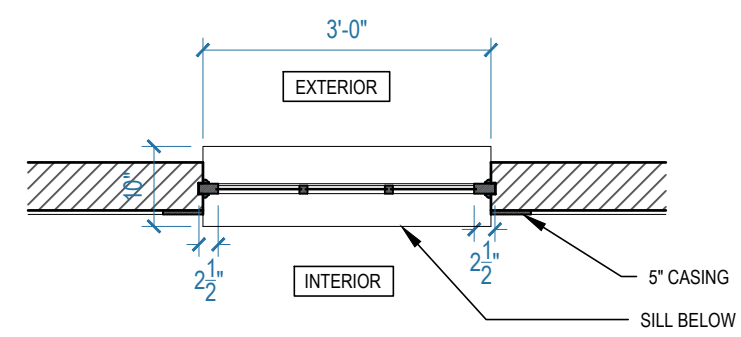


QTY:1

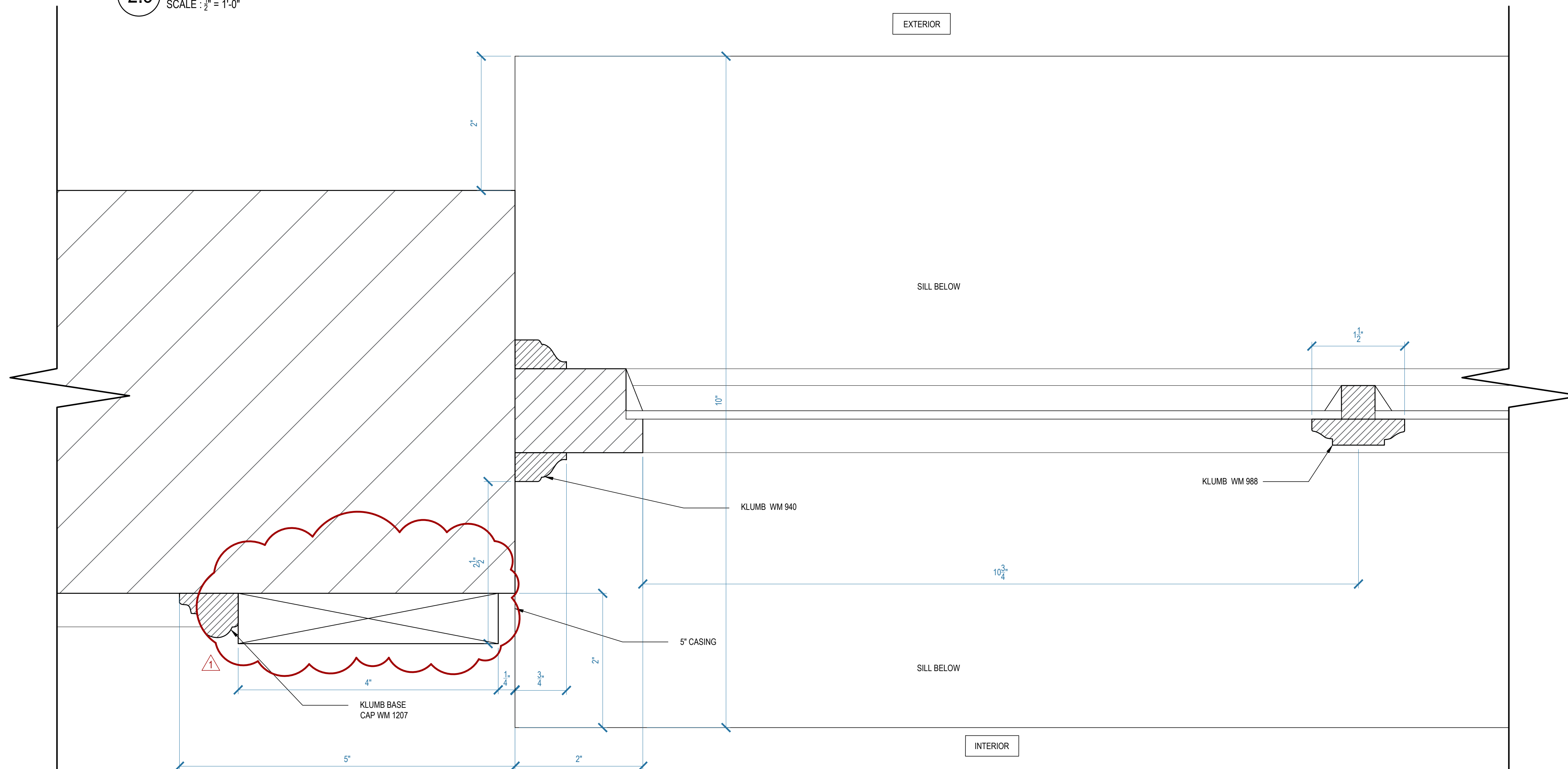
2.1 EXT ELEVATION - WINDOW 2
SCALE : $\frac{1}{2}'' = 1'-0''$



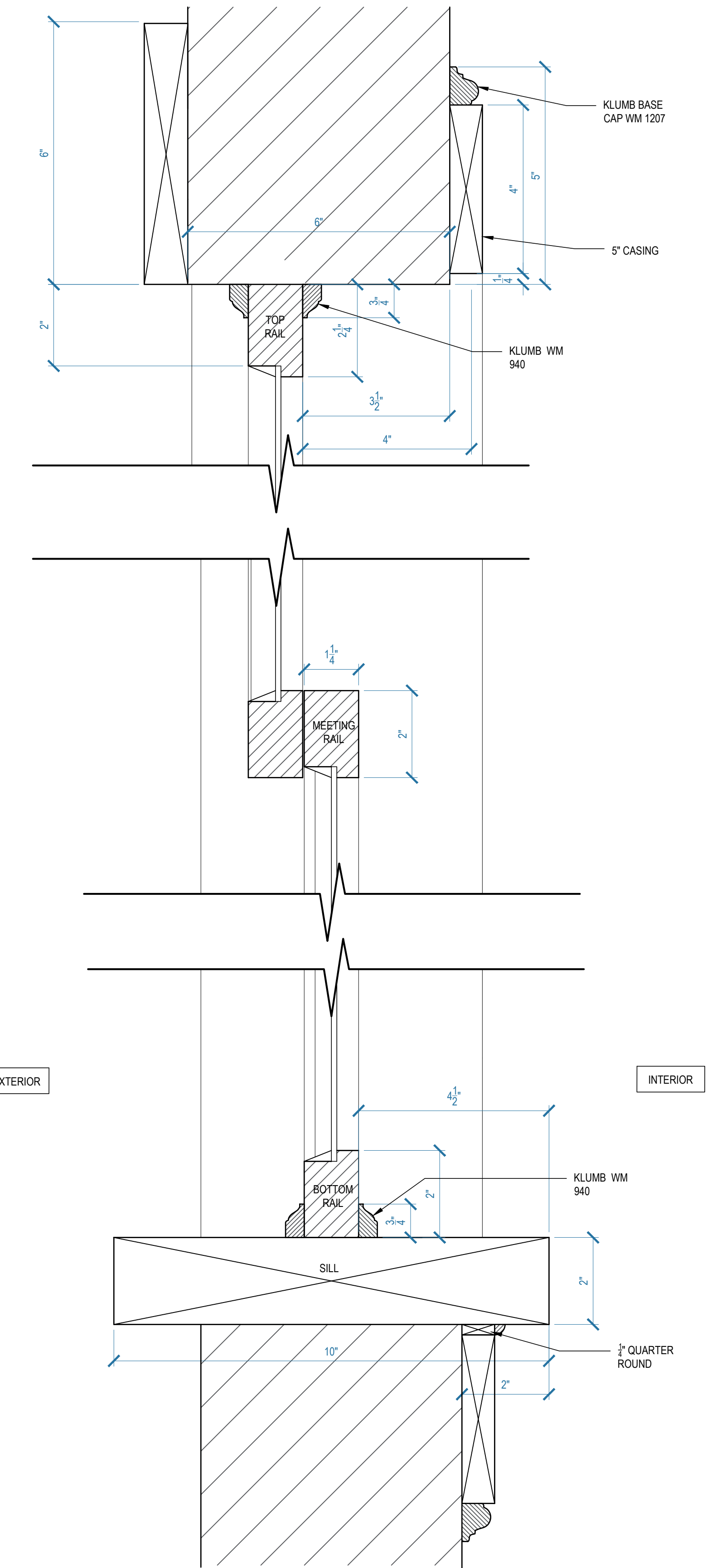
2.2 SECTION - WINDOW 2
SCALE : $\frac{1}{2}'' = 1'-0''$



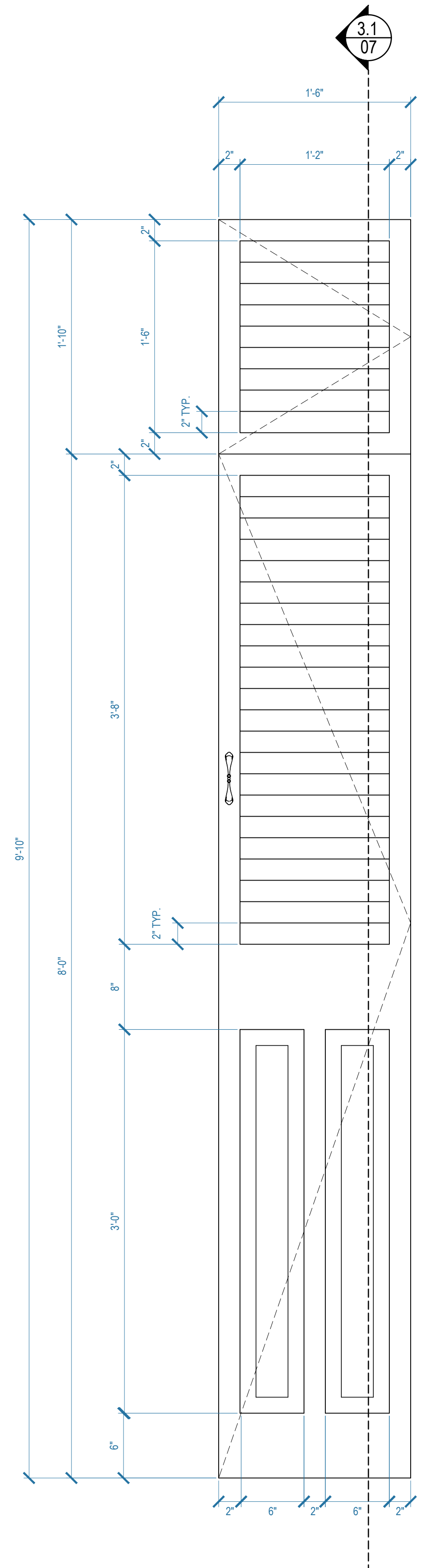
2.3 PLAN - WINDOW 2
SCALE : $\frac{1}{2}'' = 1'-0''$



2.4 WINDOW 2 PLAN DETAIL
FULL SCALE

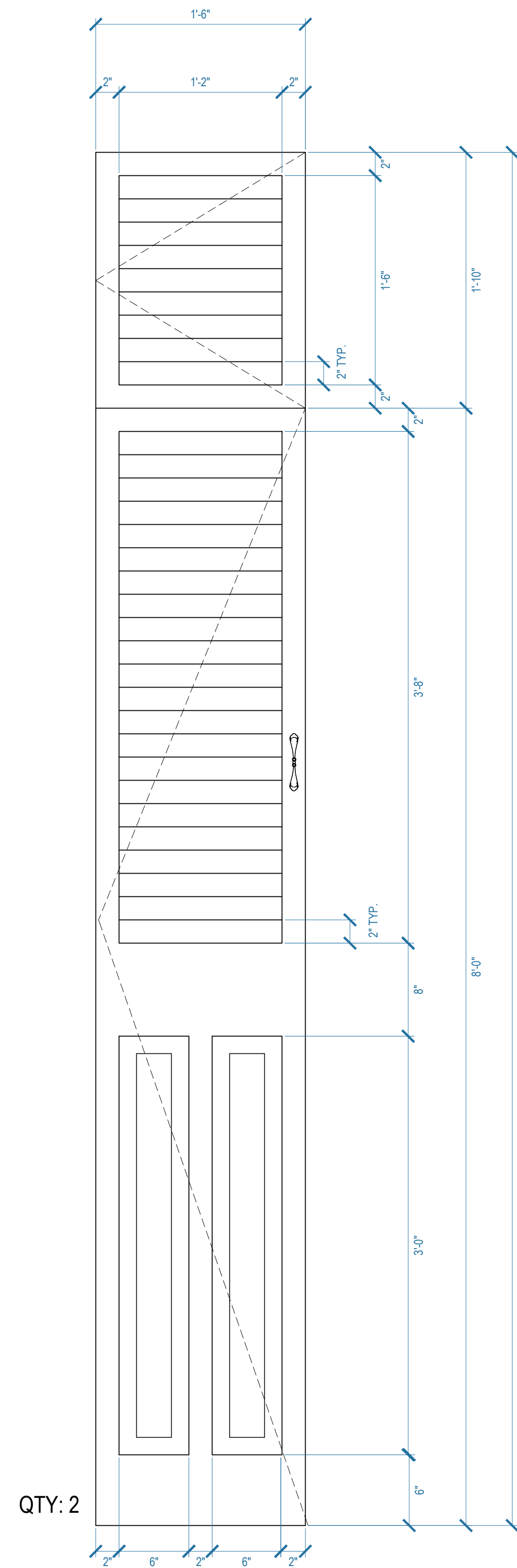


2.5 WINDOW 2 SECTION DETAIL
SCALE : $6'' = 1'-0''$

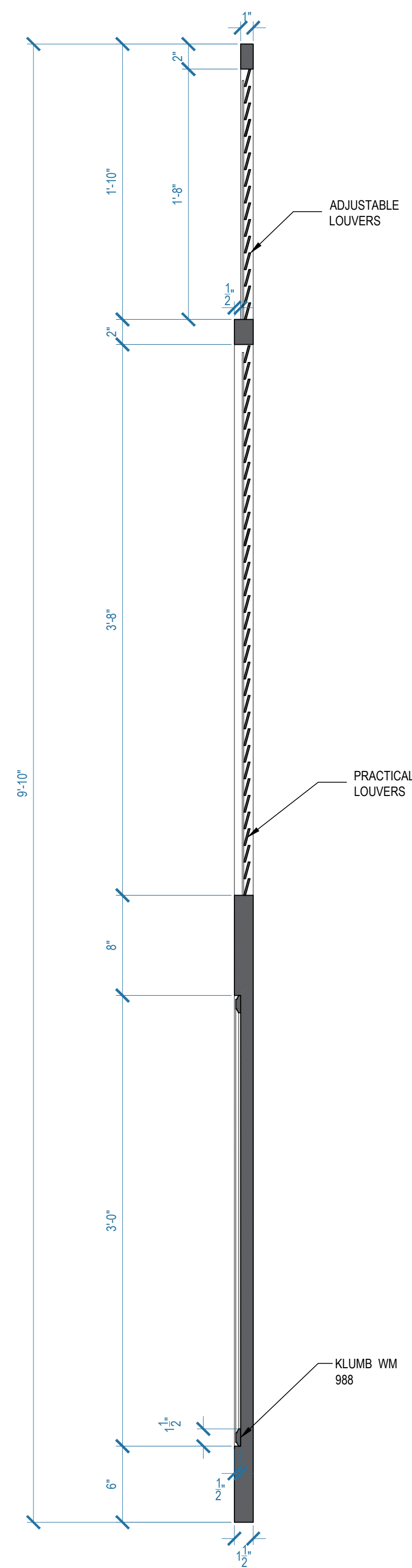


QTY: 2

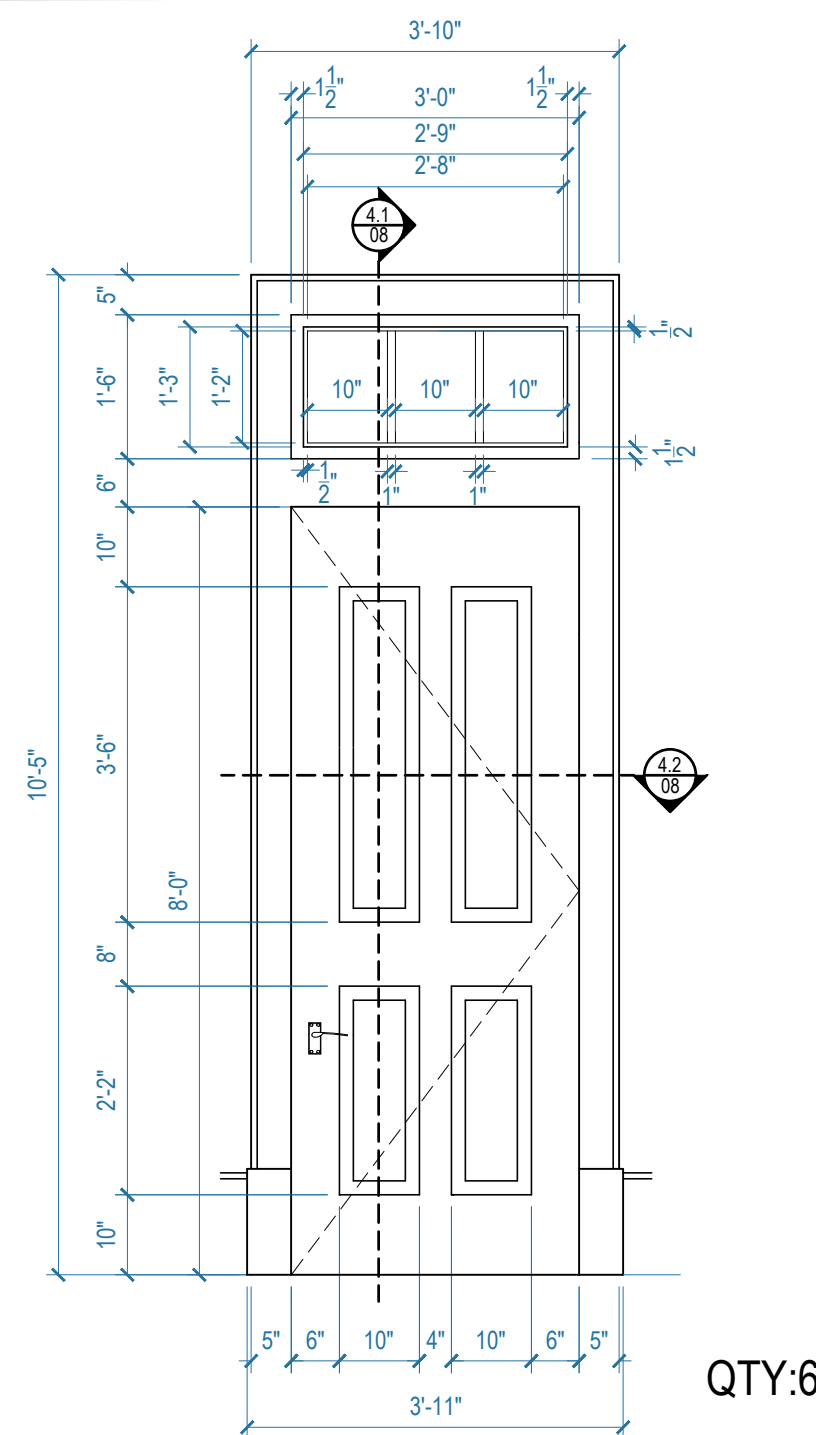
3.0 ELEVATION - SHUTTERS
SCALE: 1 1/2" = 1'-0"



QTY: 2

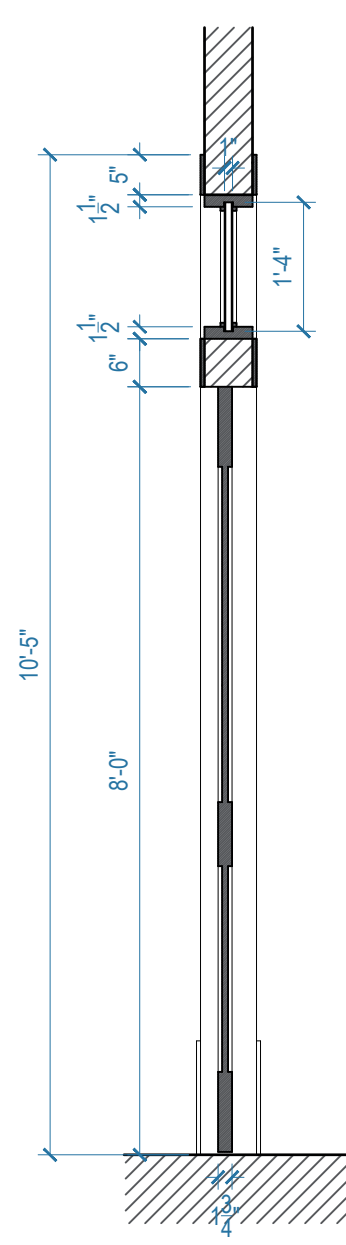


3.1 SECTION - SHUTTERS
SCALE: 1 1/2" = 1'-0"

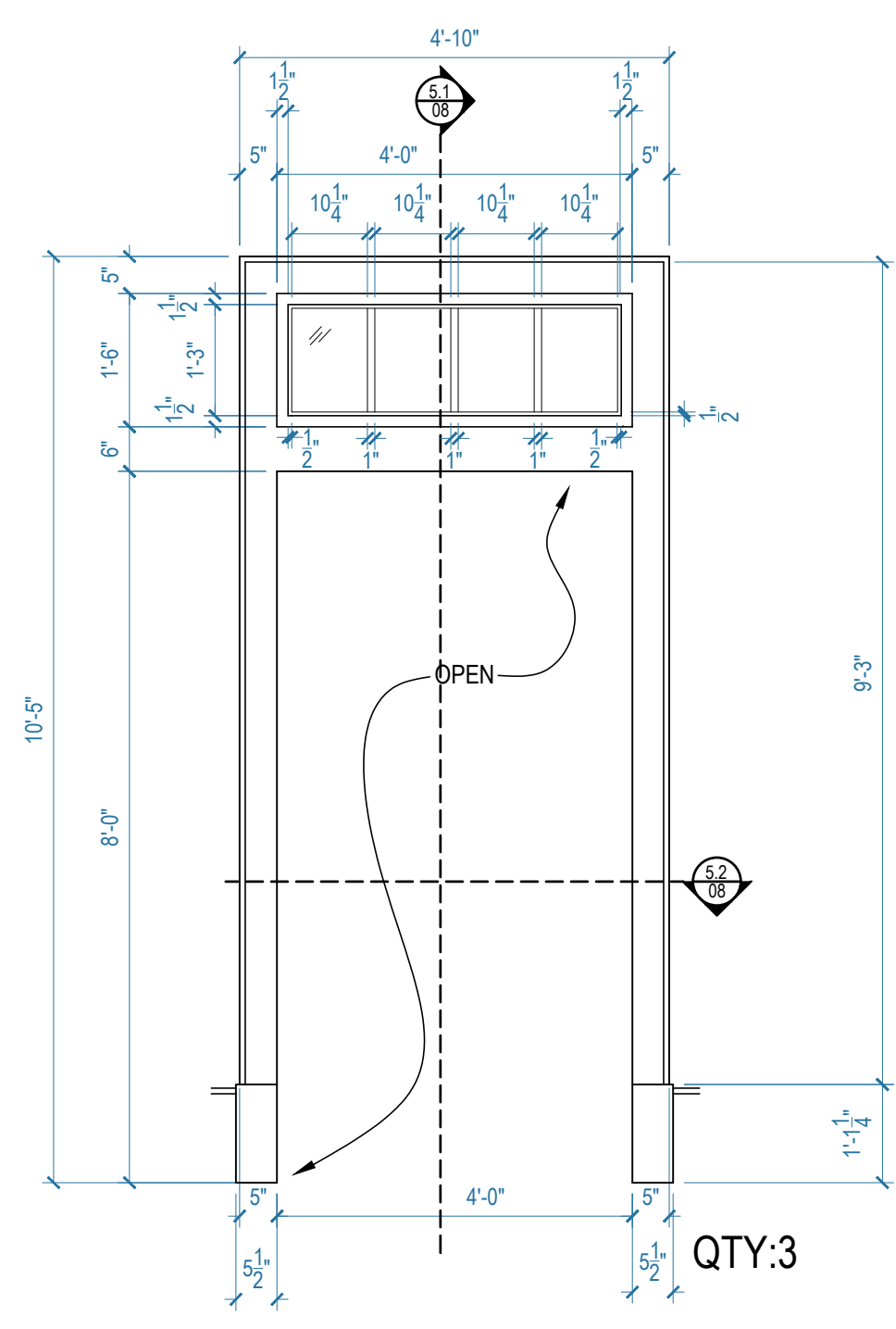


QTY:6

4.0 ELEVATION - DOOR 1
SCALE: $\frac{1}{2}'' = 1'-0''$

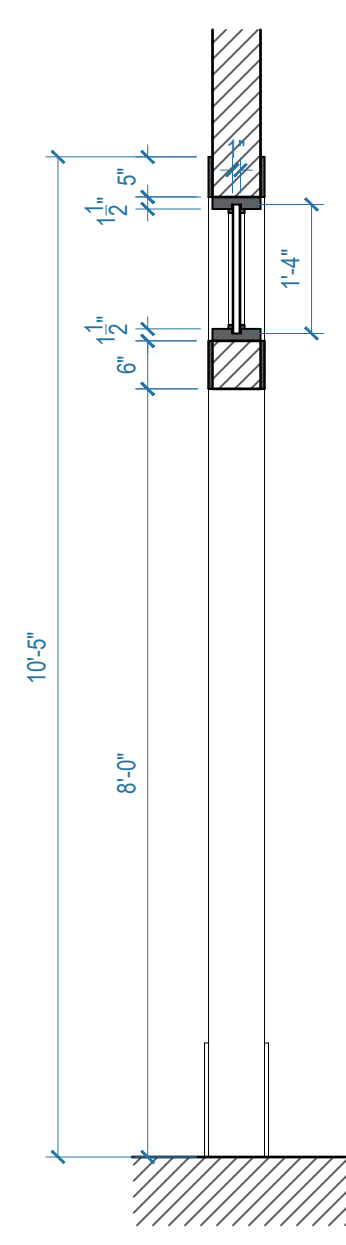


4.1 SECTION - DOOR 1
SCALE: $\frac{1}{2}'' = 1'-0''$

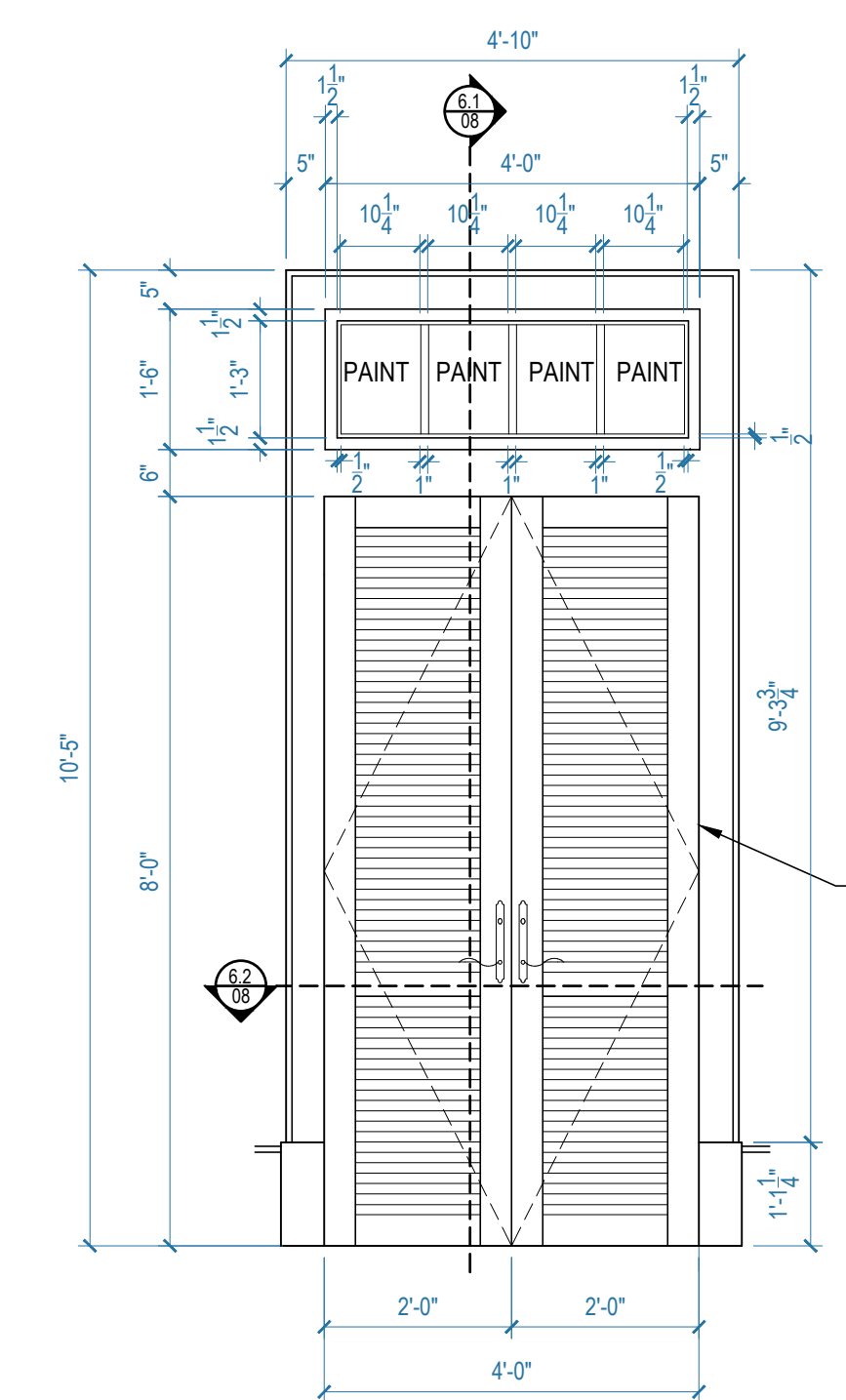


QTY:3

5.0 ELEVATION - OPENING
SCALE: $\frac{1}{2}'' = 1'-0''$

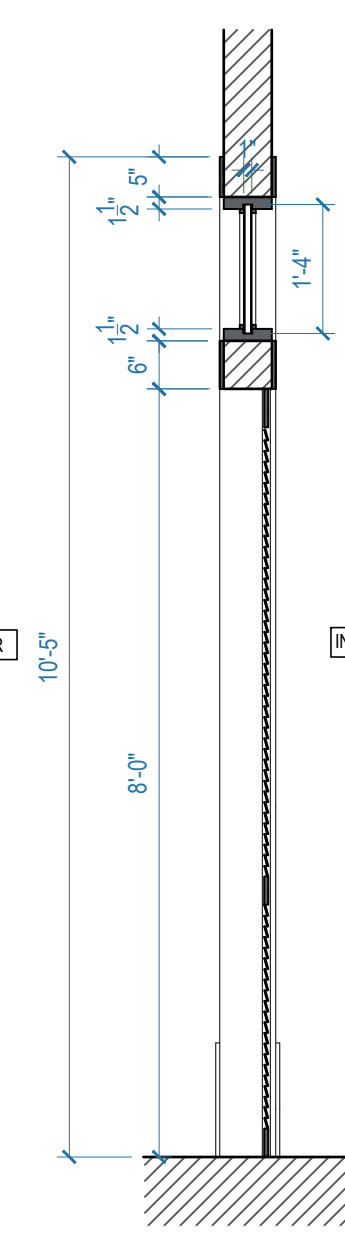


5.1 SECTION - OPENING
SCALE: $\frac{1}{2}'' = 1'-0''$

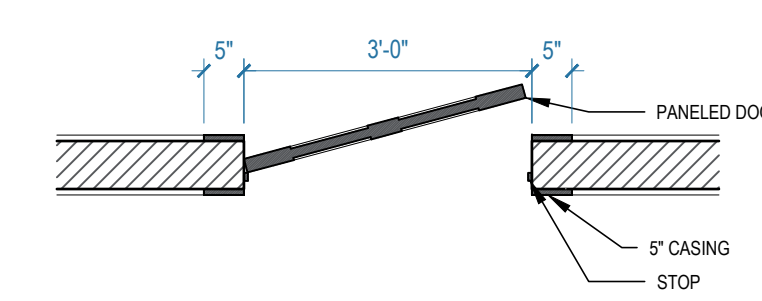


QTY:1

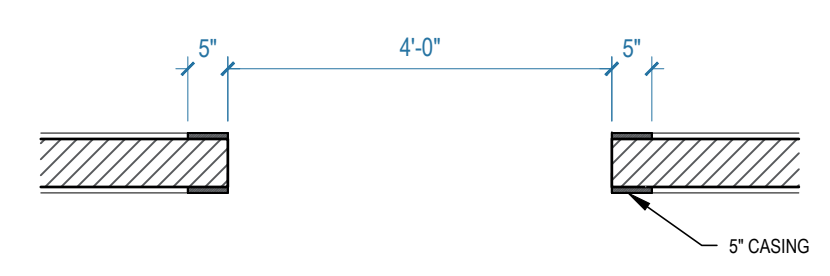
6.0 ELEVATION - DOOR 2
SCALE: $\frac{1}{2}'' = 1'-0''$



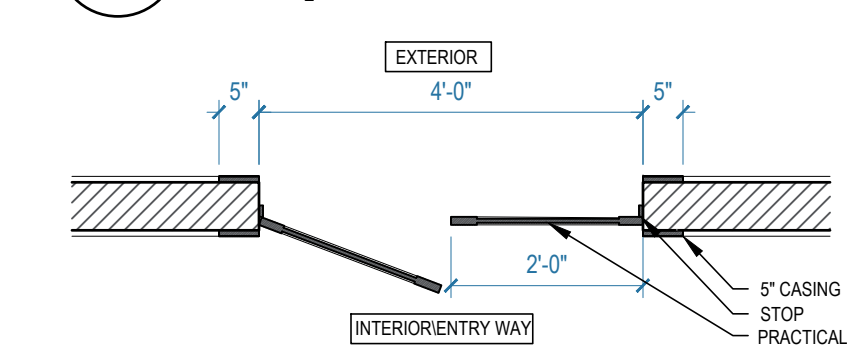
6.1 SECTION - DOOR 2
SCALE: $\frac{1}{2}'' = 1'-0''$



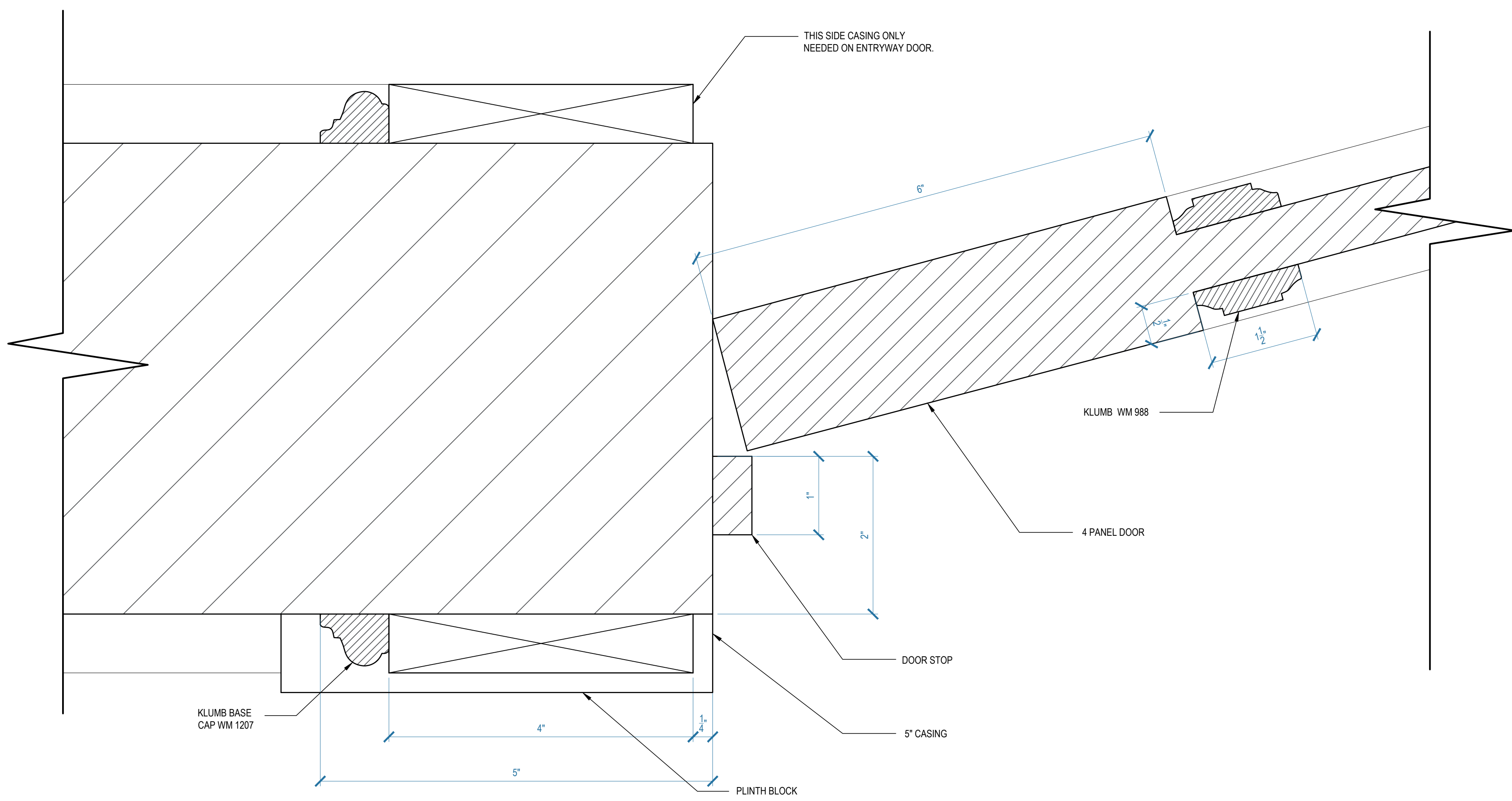
4.2 PLAN - DOOR 1
SCALE: $\frac{1}{2}'' = 1'-0''$



5.2 PLAN - OPENING
SCALE: $\frac{1}{2}'' = 1'-0''$

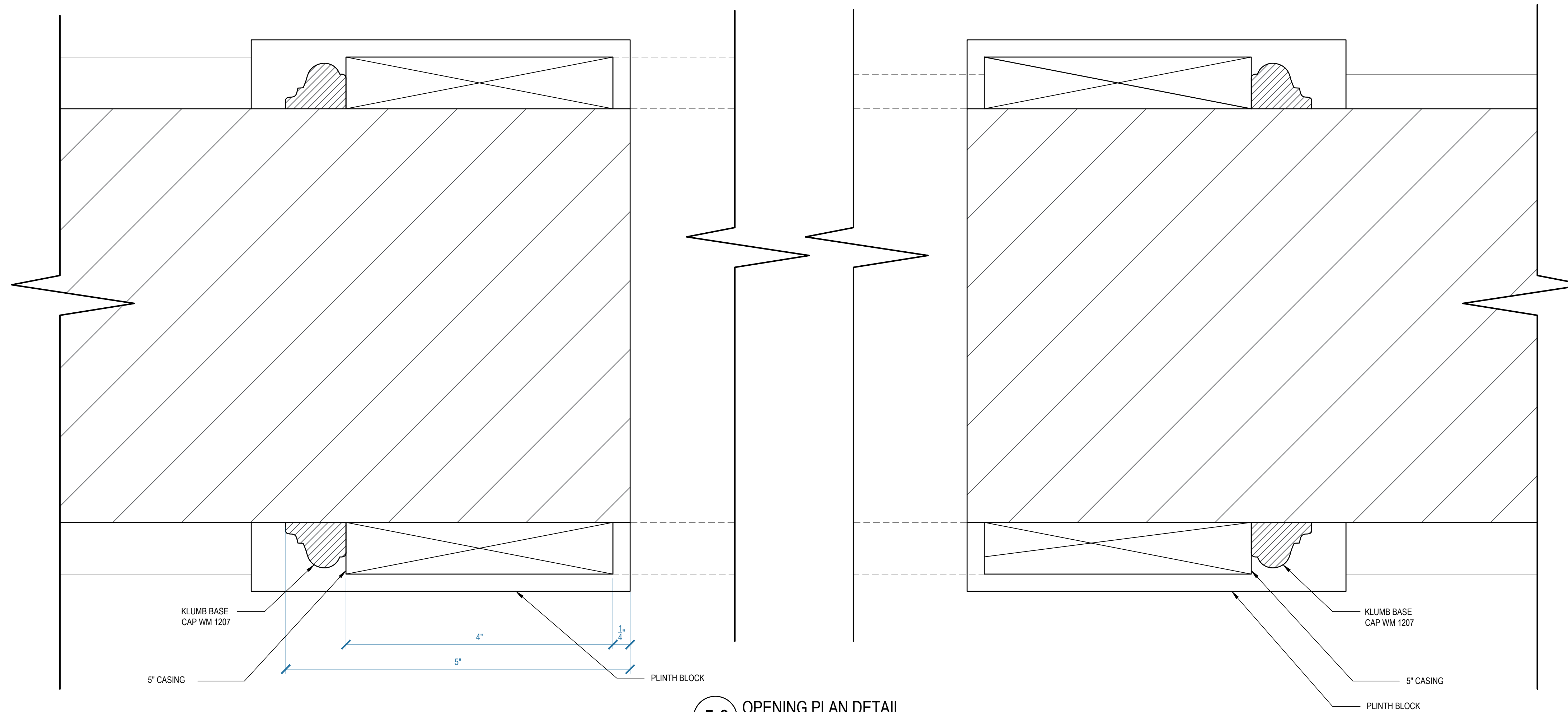


6.2 PLAN - DOOR 2
SCALE: $\frac{1}{2}'' = 1'-0''$

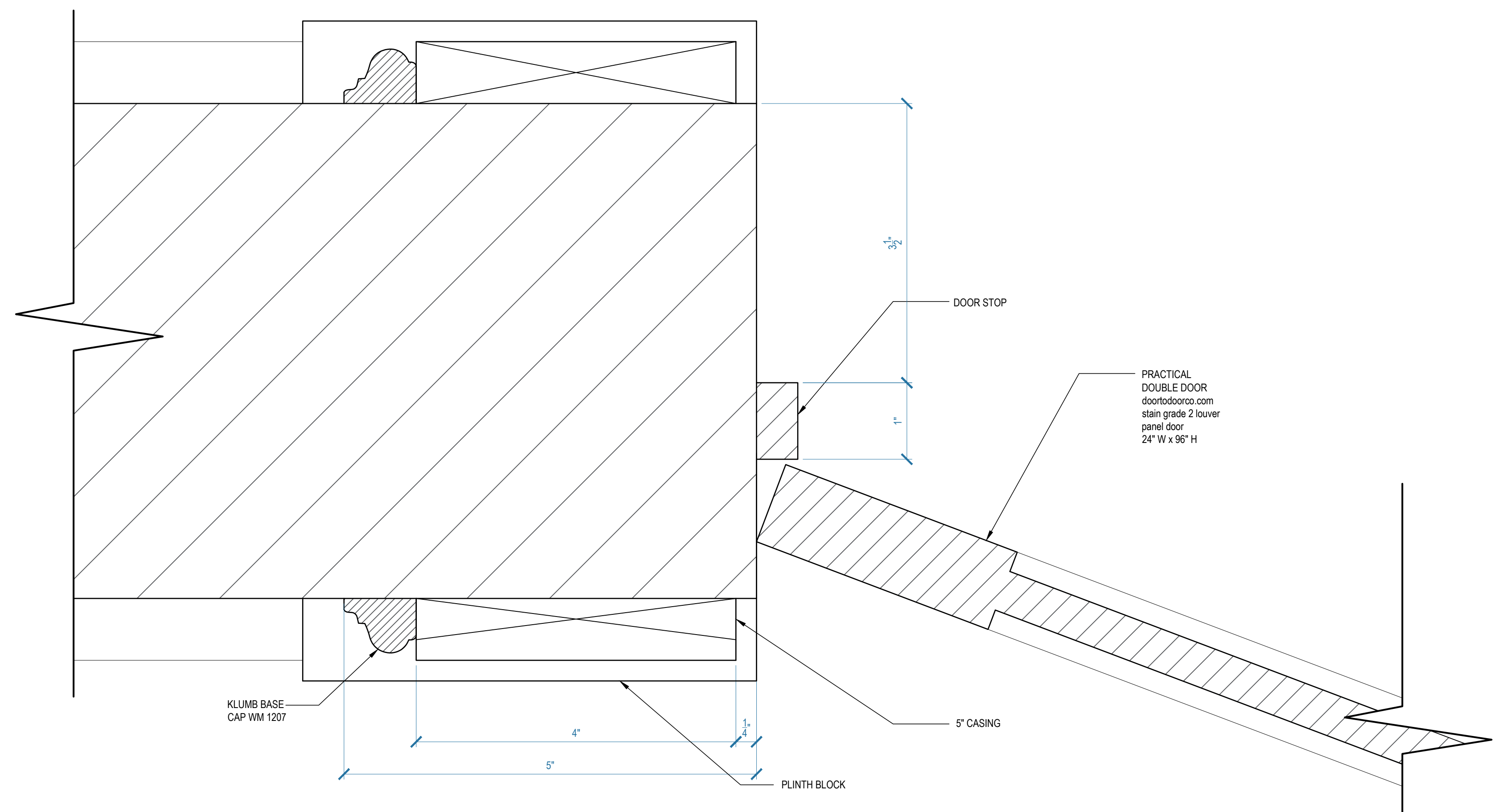


4.3 DOOR 1 PLAN DETAIL
FULL SCALE

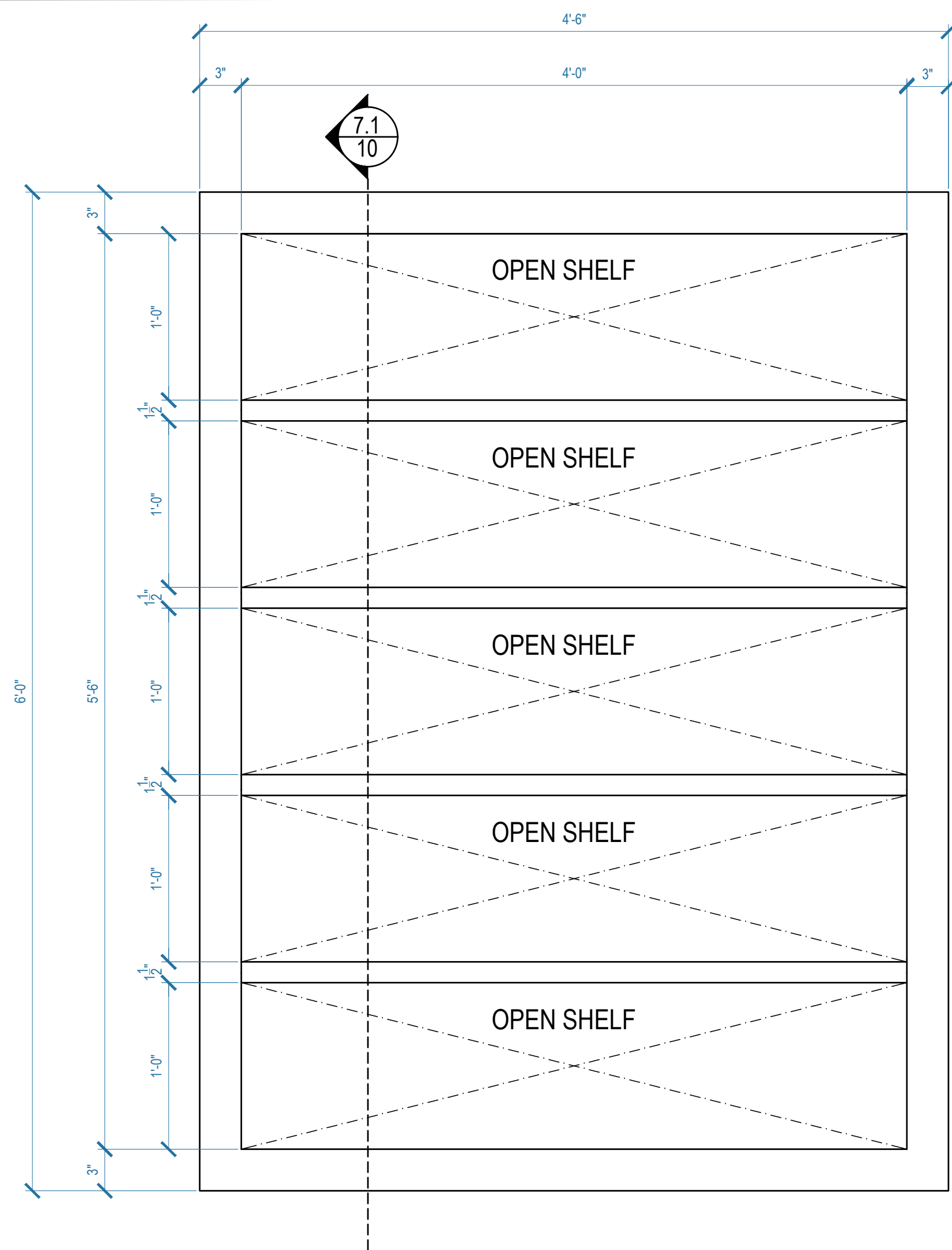
NOTE: ALL HARDWARE SELECTED BY AD



5.3 OPENING PLAN DETAIL
FULL SCALE

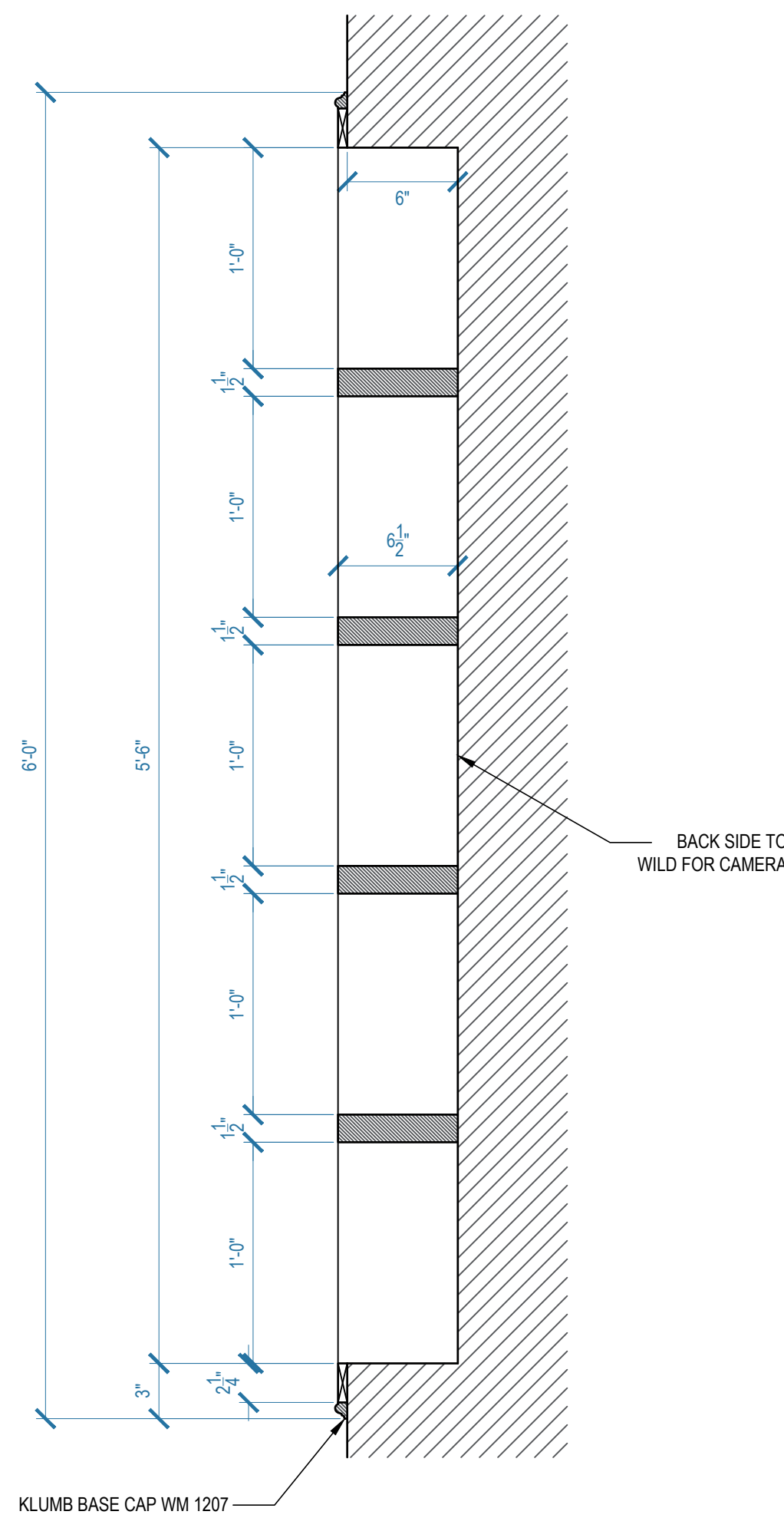


6.3 DOOR 2 PLAN DETAIL
FULL SCALE

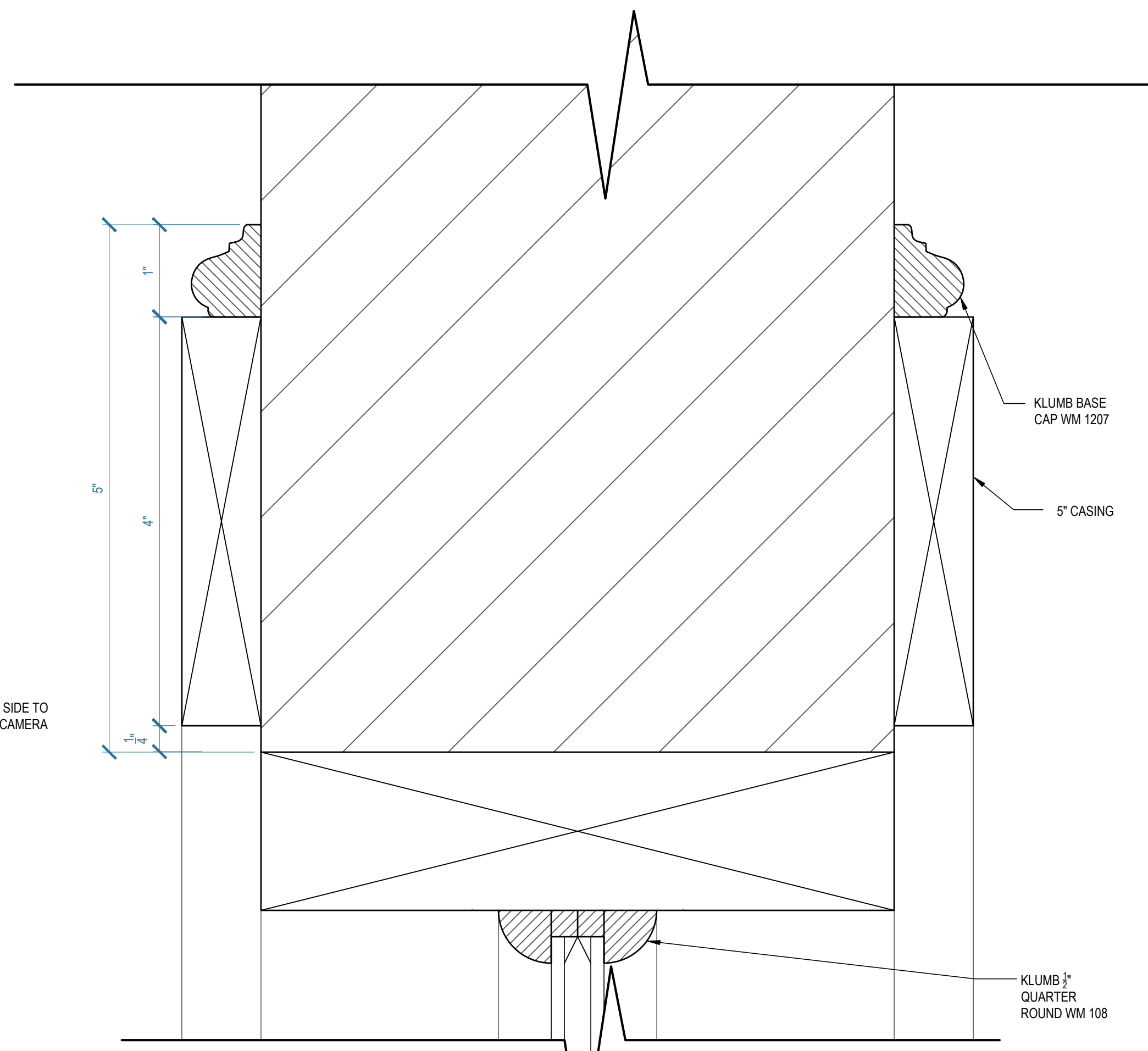


7.0 ELEVATION - BOOK SHELF
SCALE: 1 1/2" = 1'-0"

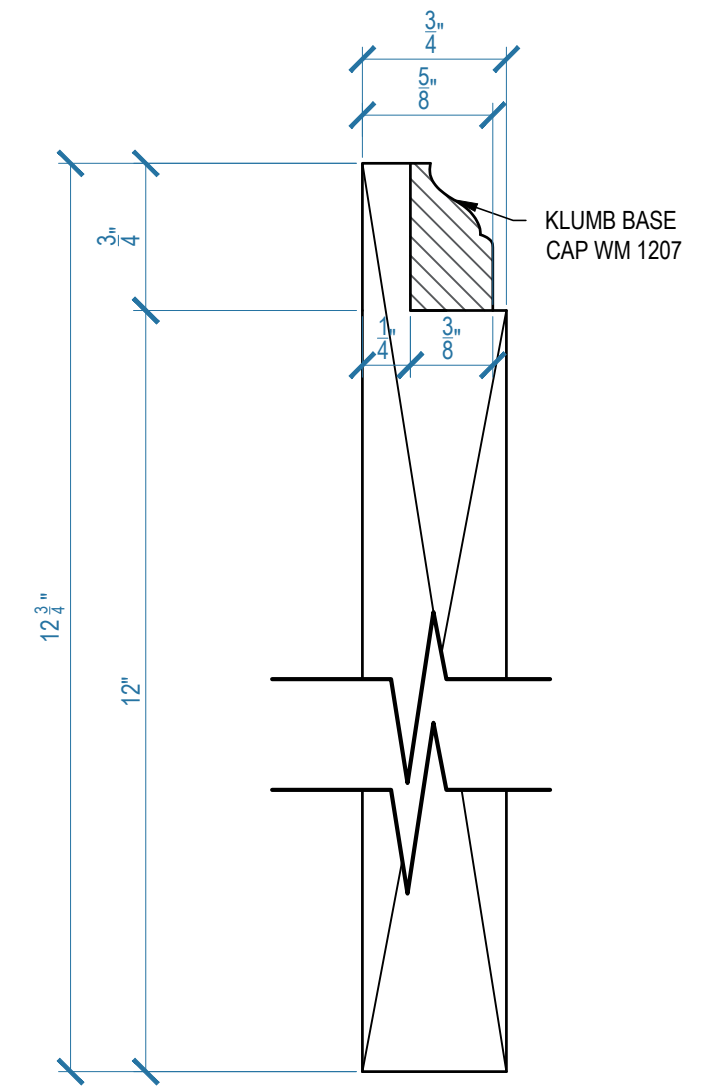
QTY: 2



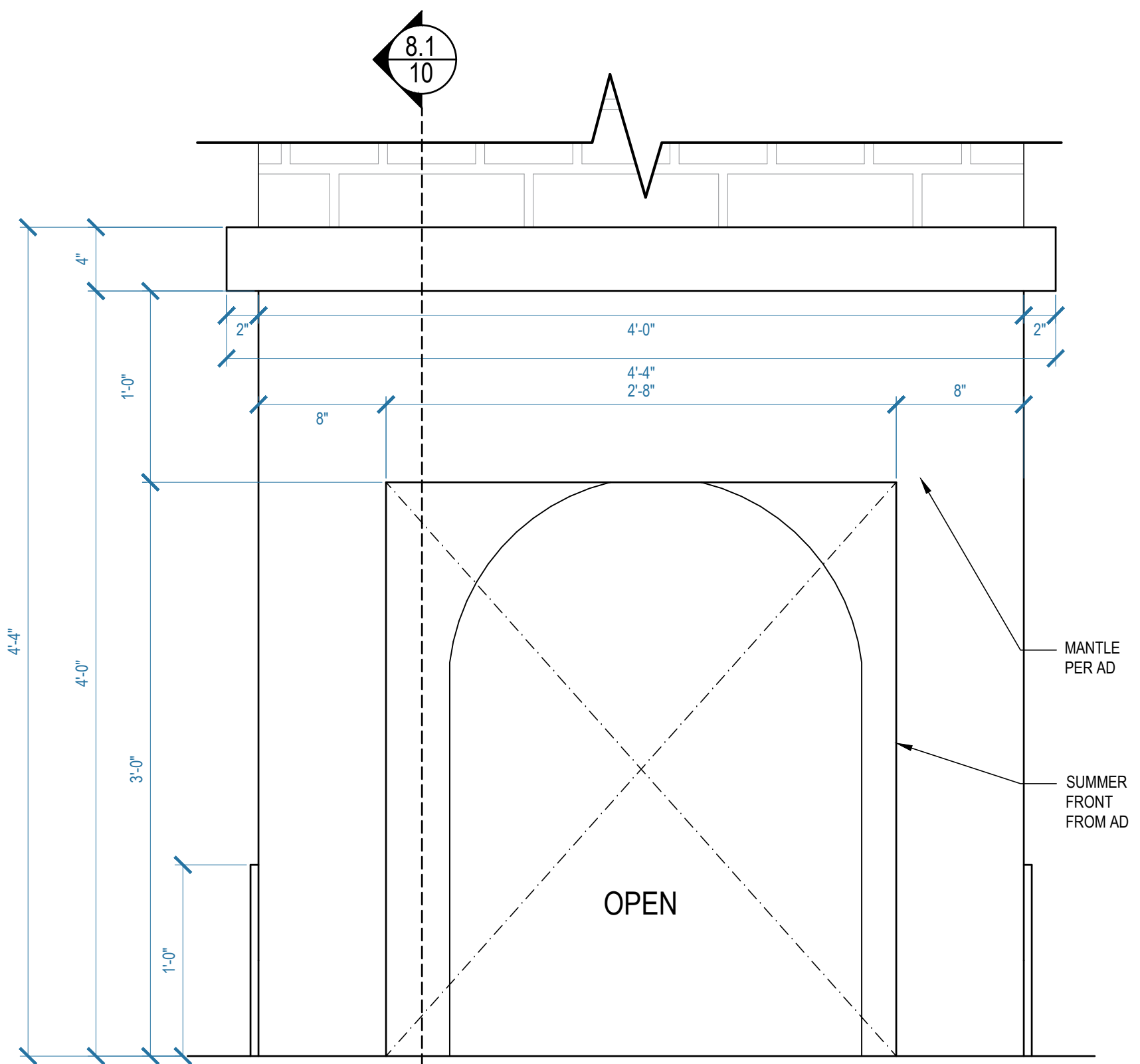
7.1 SECTION - BOOK SHELF
SCALE: 1 1/2" = 1'-0"



9.0 TRANSOM WINDOW SECTION DETAIL
FULL SCALE

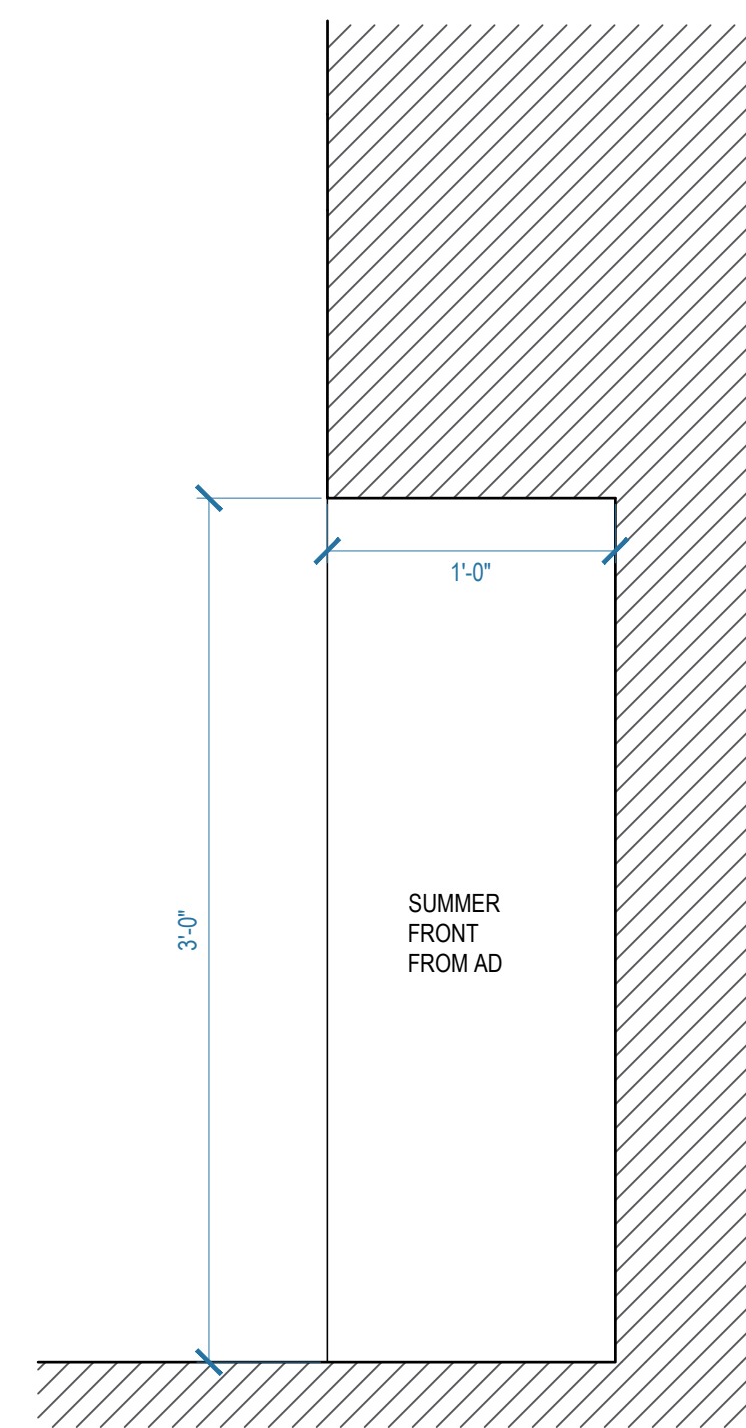


10.0 BASEBOARD DETAIL
FULL SCALE

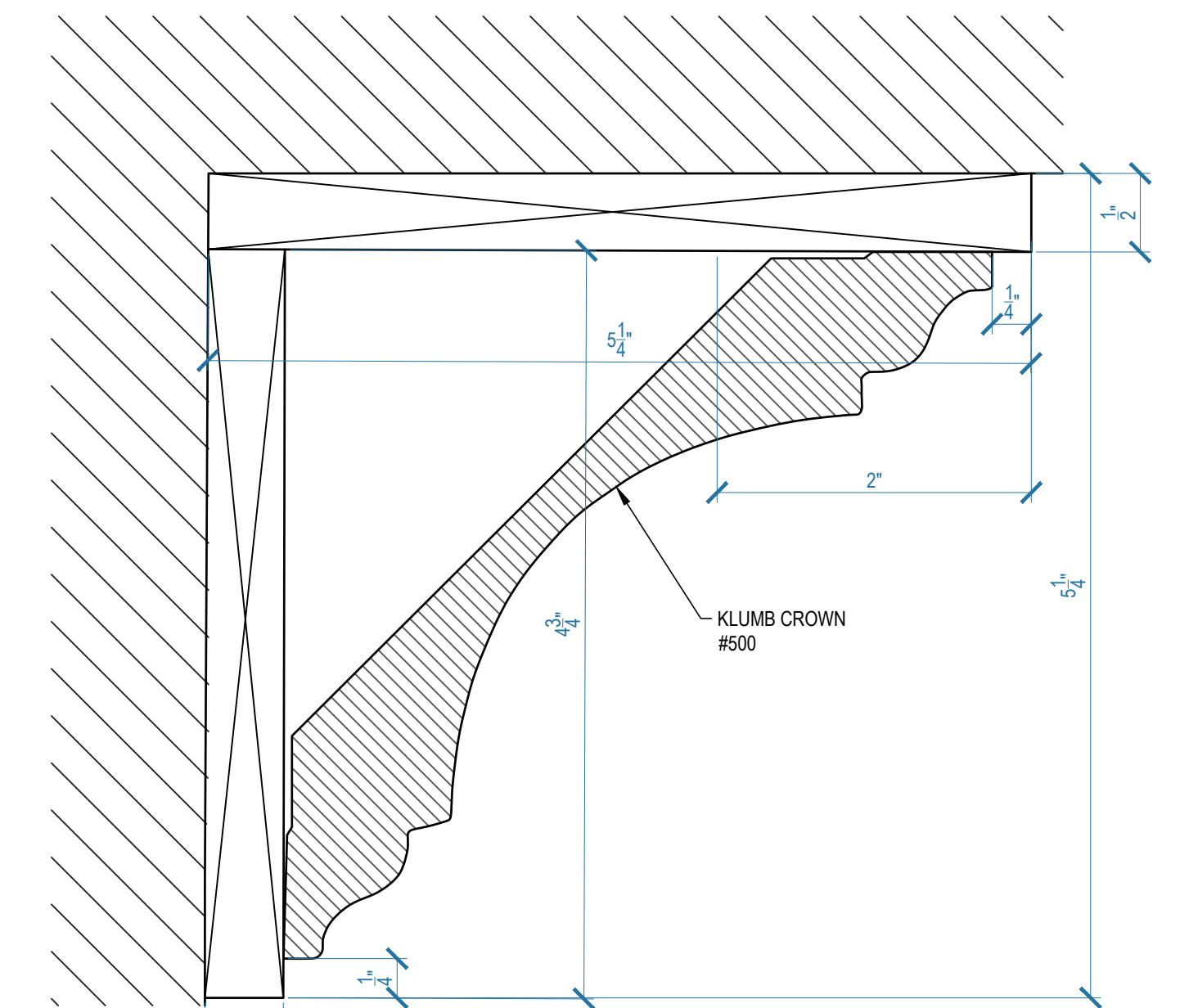


8.0 ELEVATION - FIREPLACE
SCALE: 1 1/2" = 1'-0"

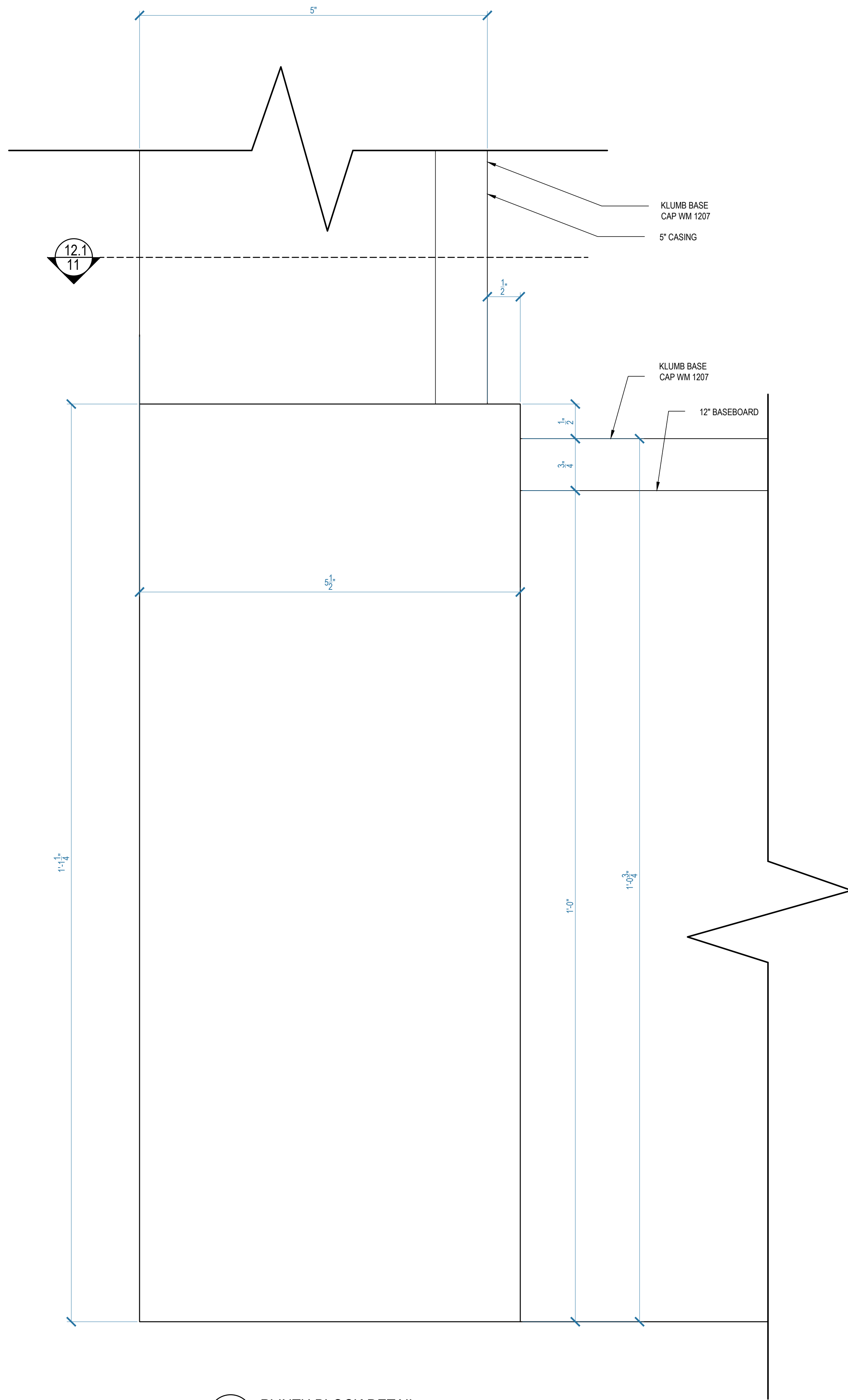
QTY: 1



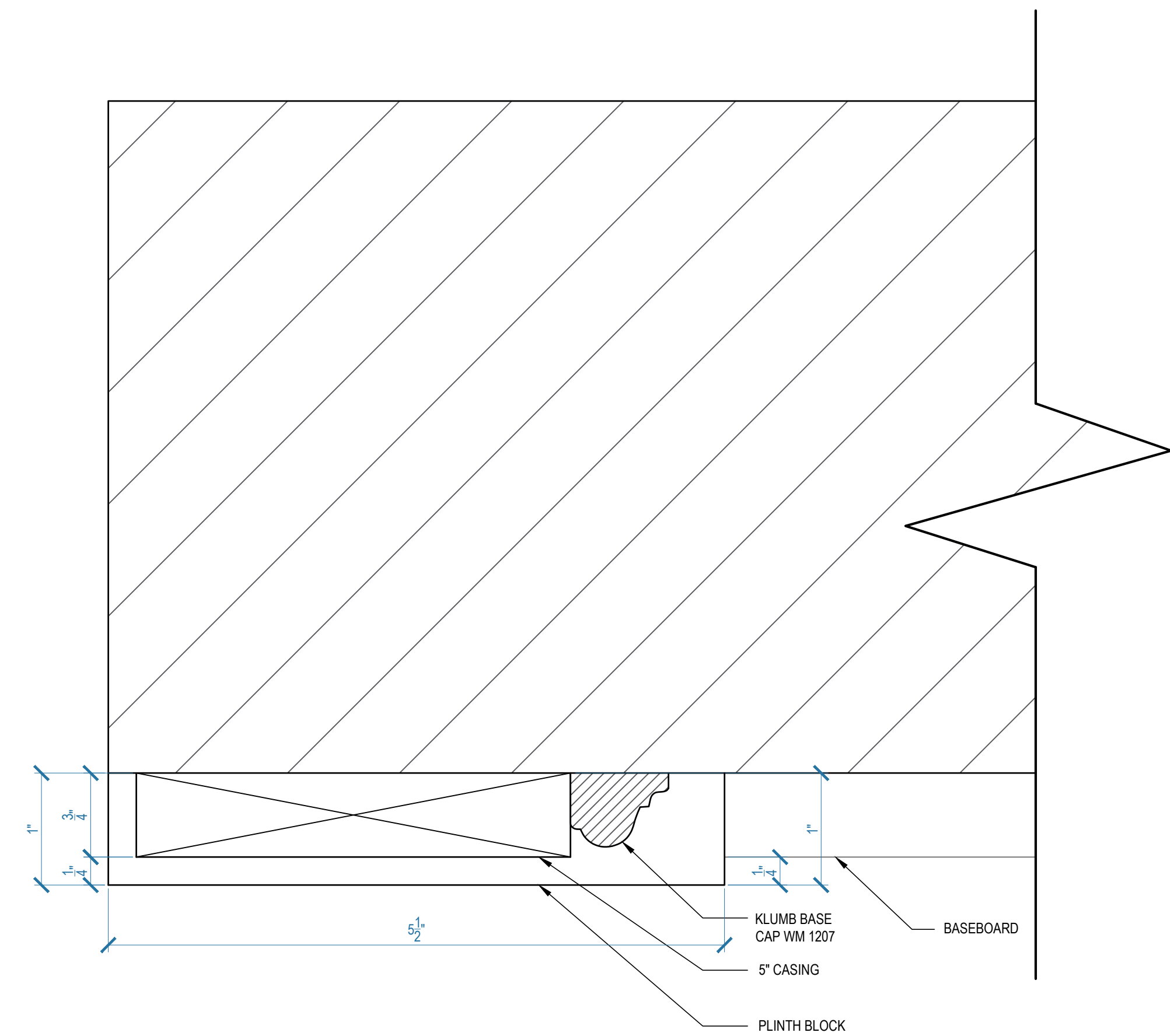
8.1 SECTION - FIREPLACE
SCALE: 1 1/2" = 1'-0"



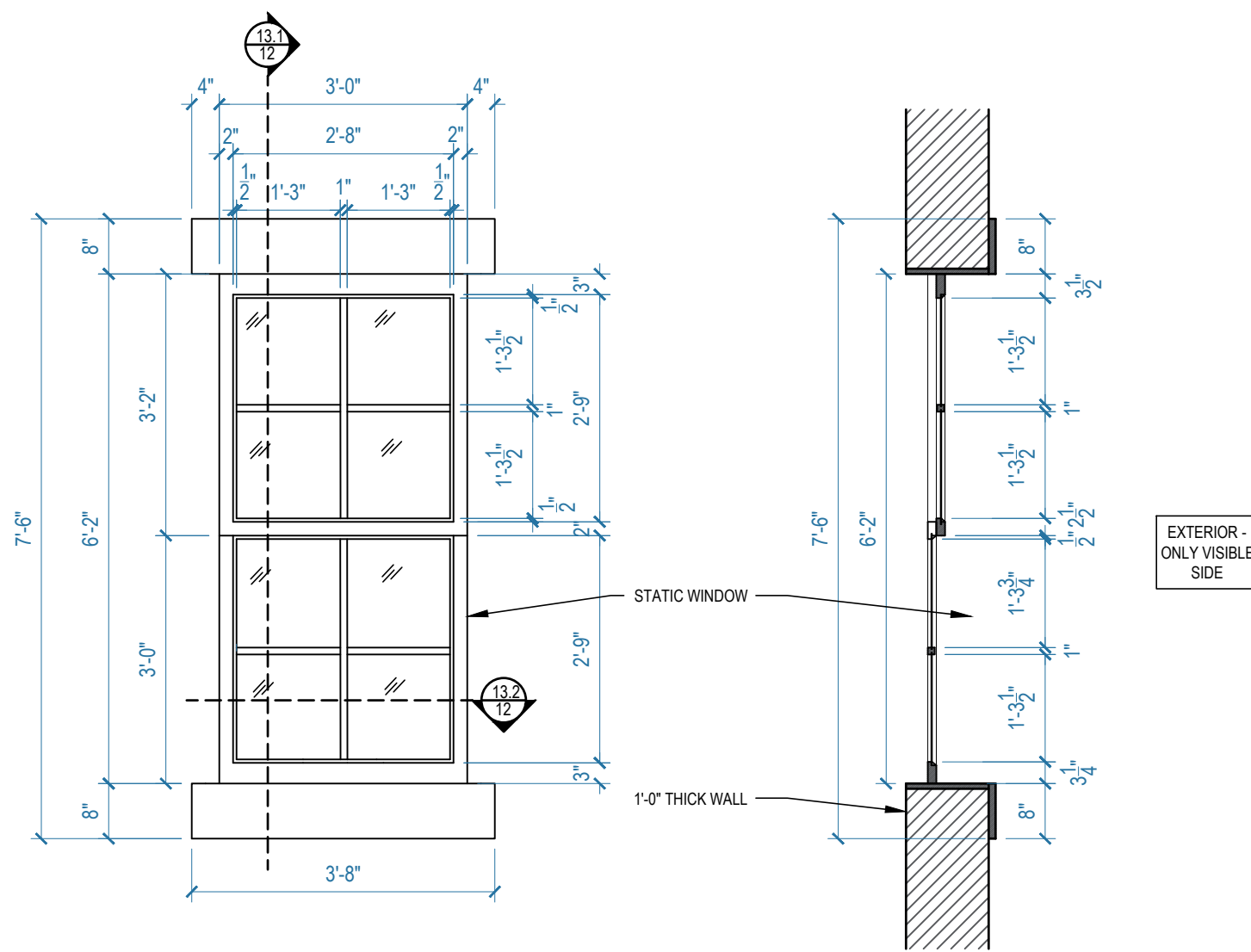
11.0 CROWN MOULDING DETAIL
FULL SCALE



12.0 PLINTH BLOCK DETAIL
FULL SCALE

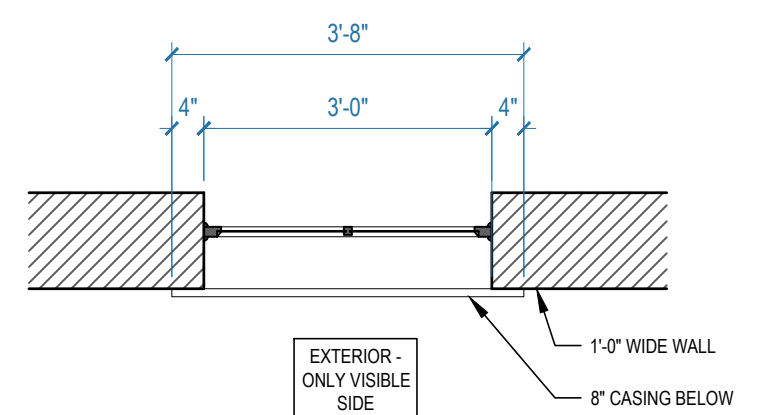


12.1 PLINTH BLOCK PLAN DETAIL
FULL SCALE

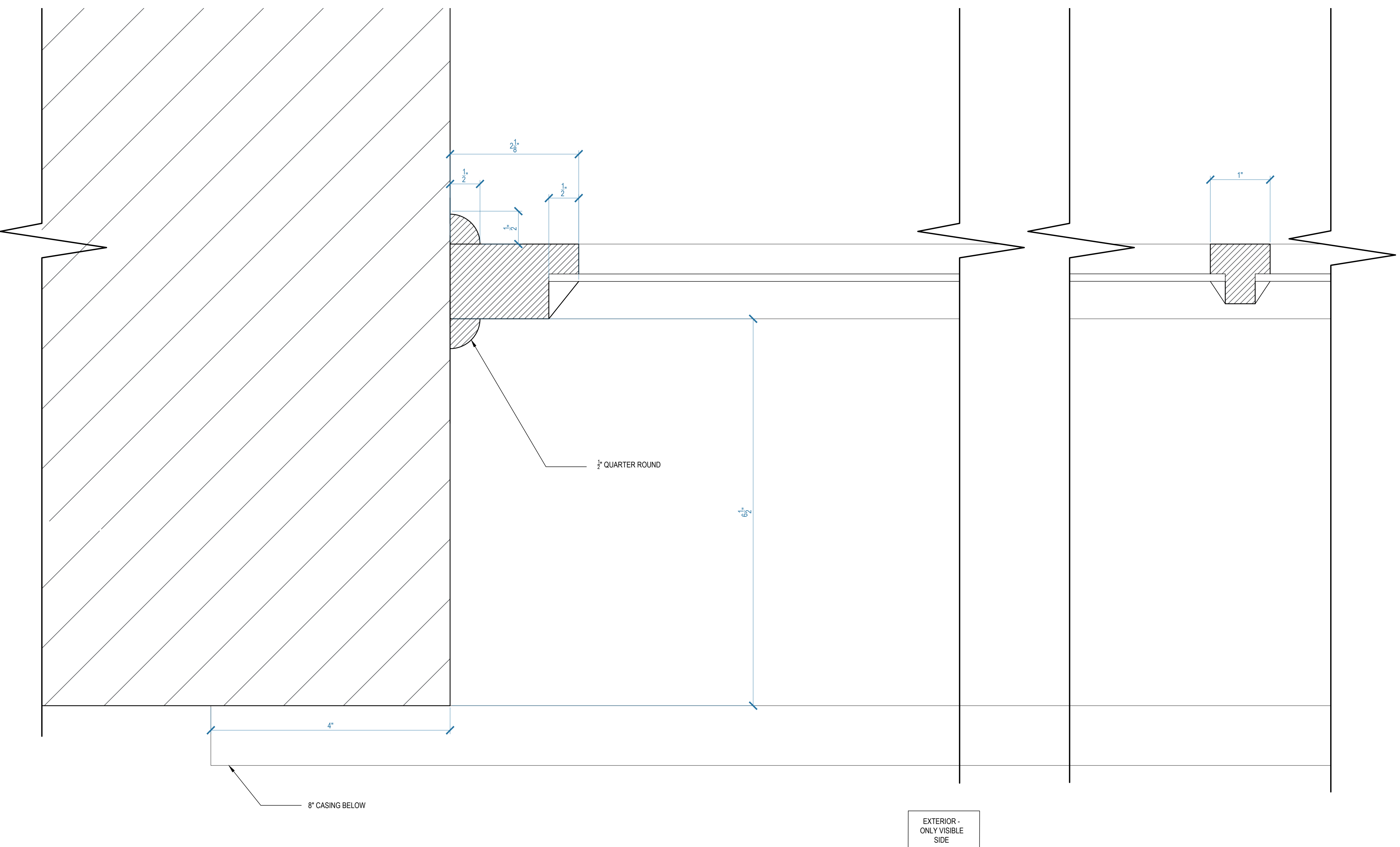


13.0 EXT ELEVATION - WINDOW 3
SCALE: $\frac{1}{2}$ " = 1'-0"

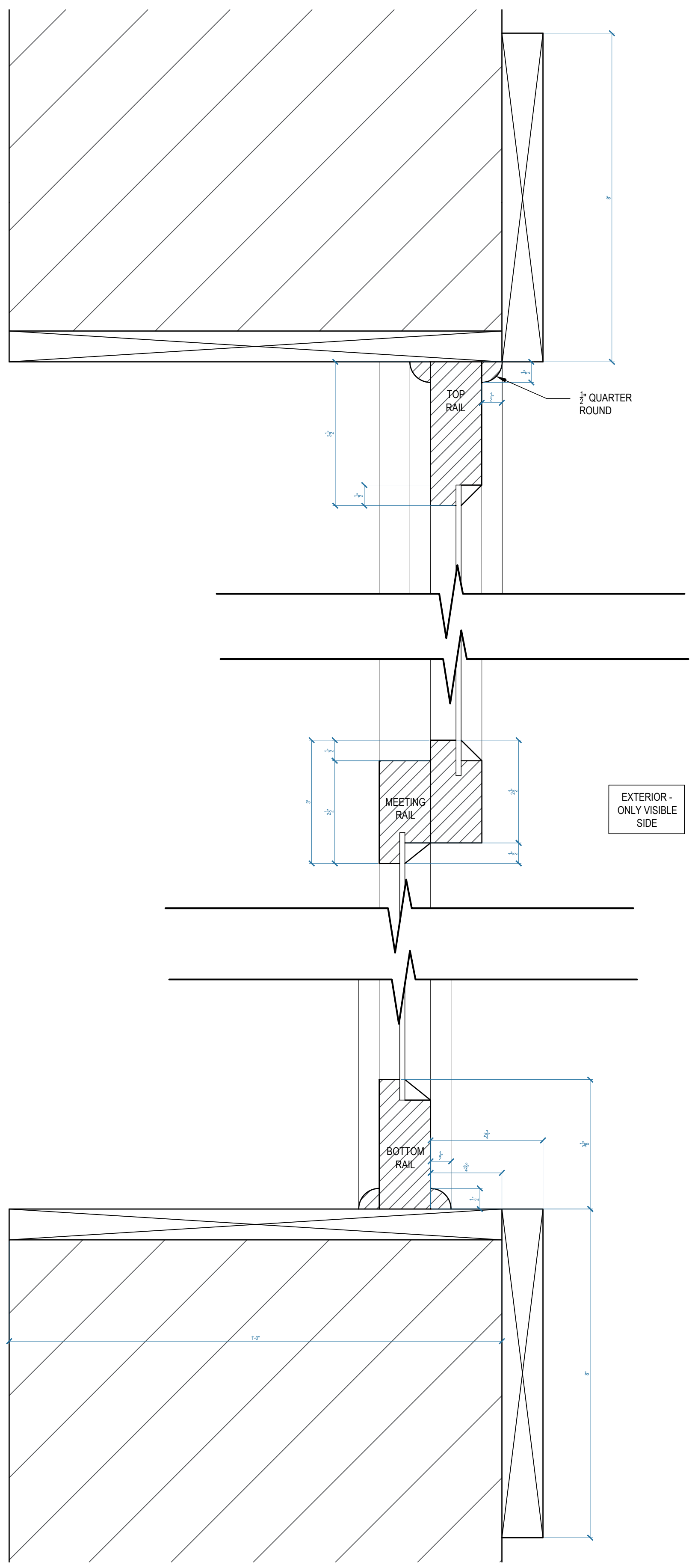
13.1 SECTION - WINDOW 3
SCALE: $\frac{1}{2}$ " = 1'-0"



13.2 PLAN - WINDOW 3
SCALE: $\frac{1}{2}$ " = 1'-0"



13.3 WINDOW 3 PLAN DETAIL
FULL SCALE



13.4 WINDOW 3 SECTION DETAIL
SCALE: 6" = 1'-0"

