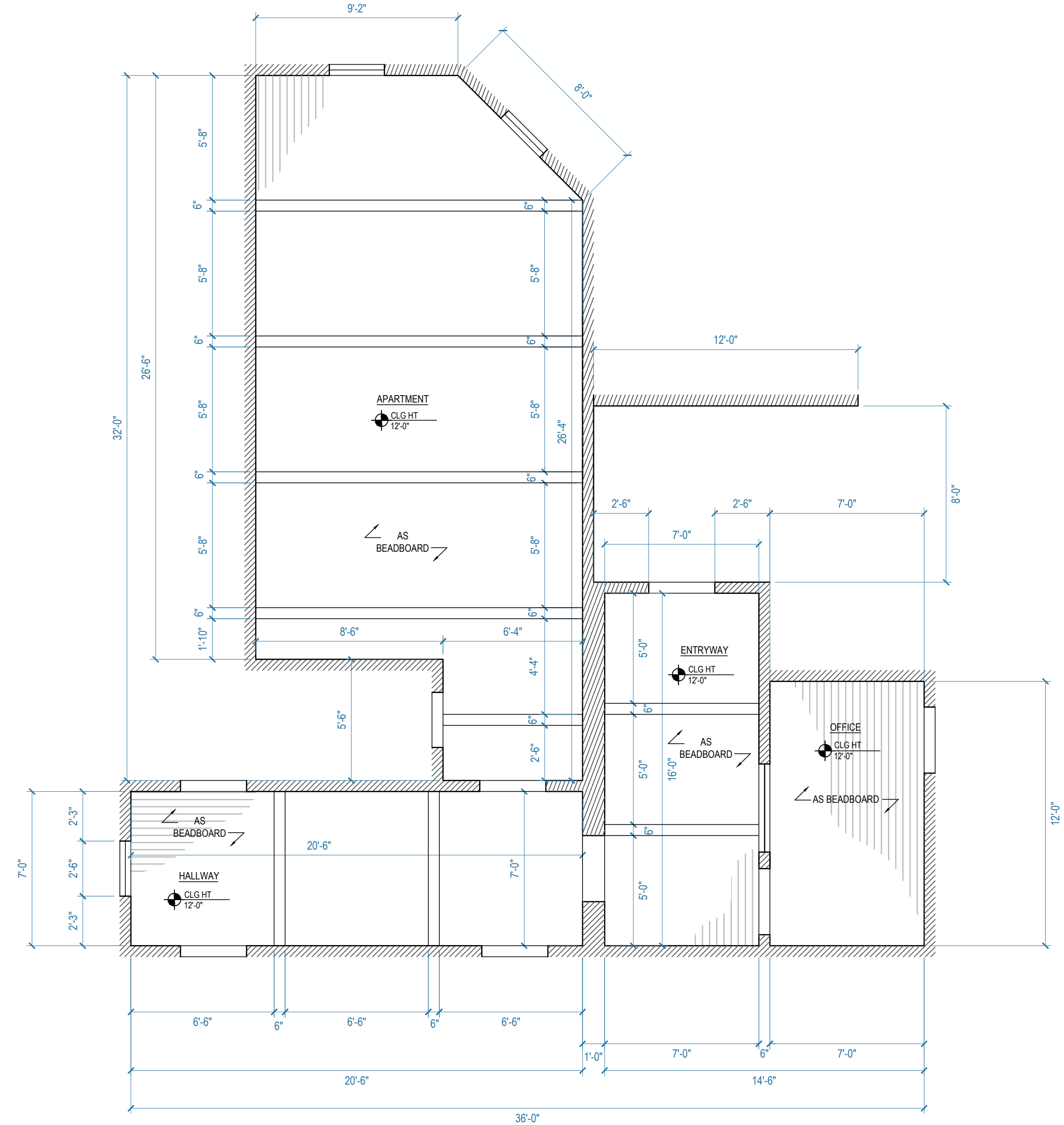
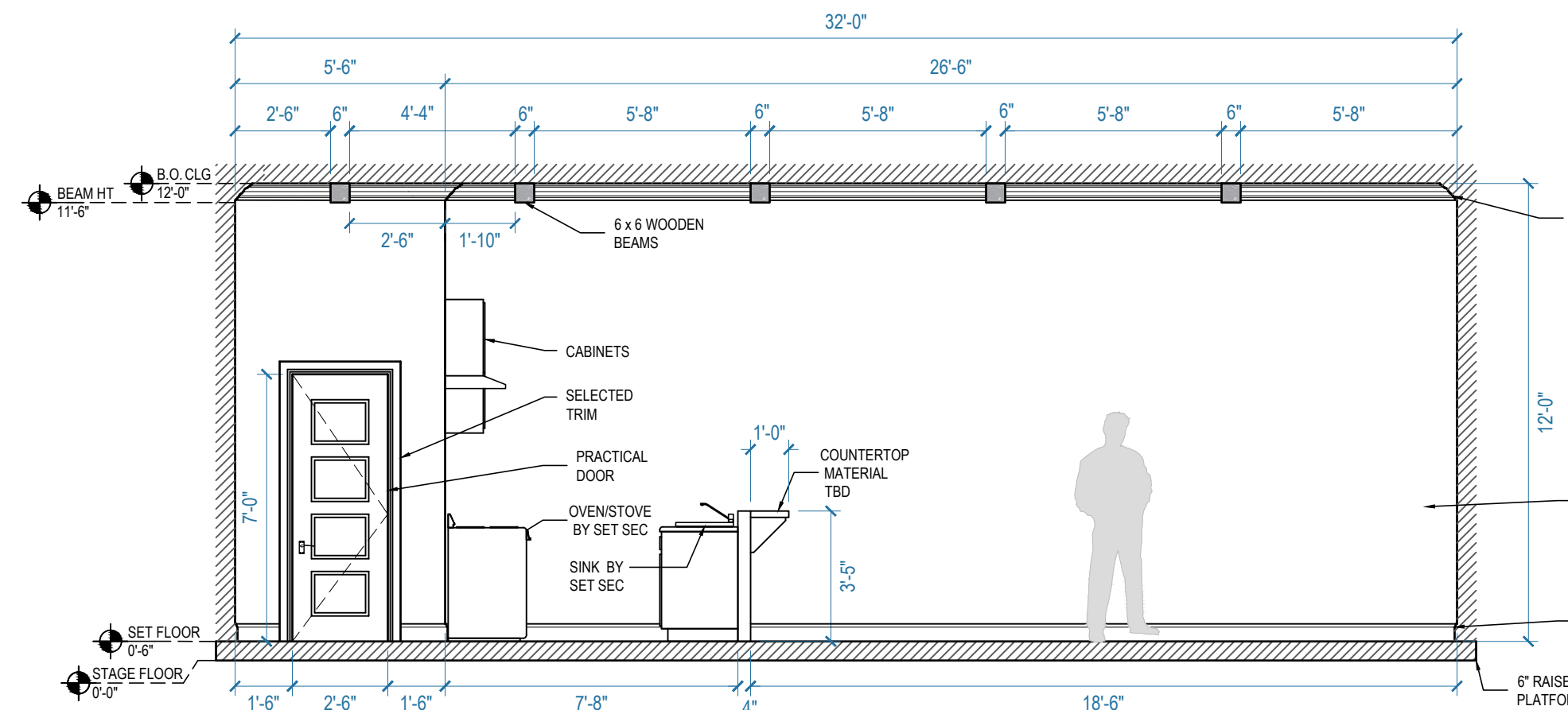


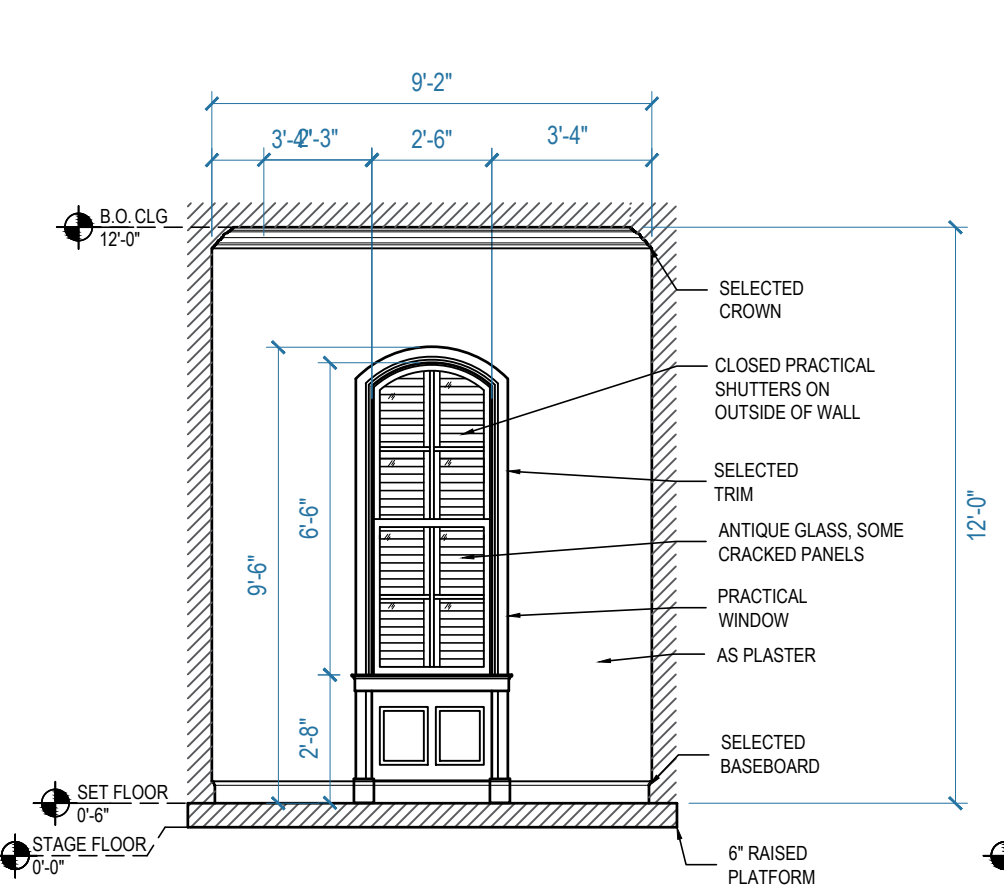
1 FLOORPLAN  
SCALE: 1/4" = 1'-0"



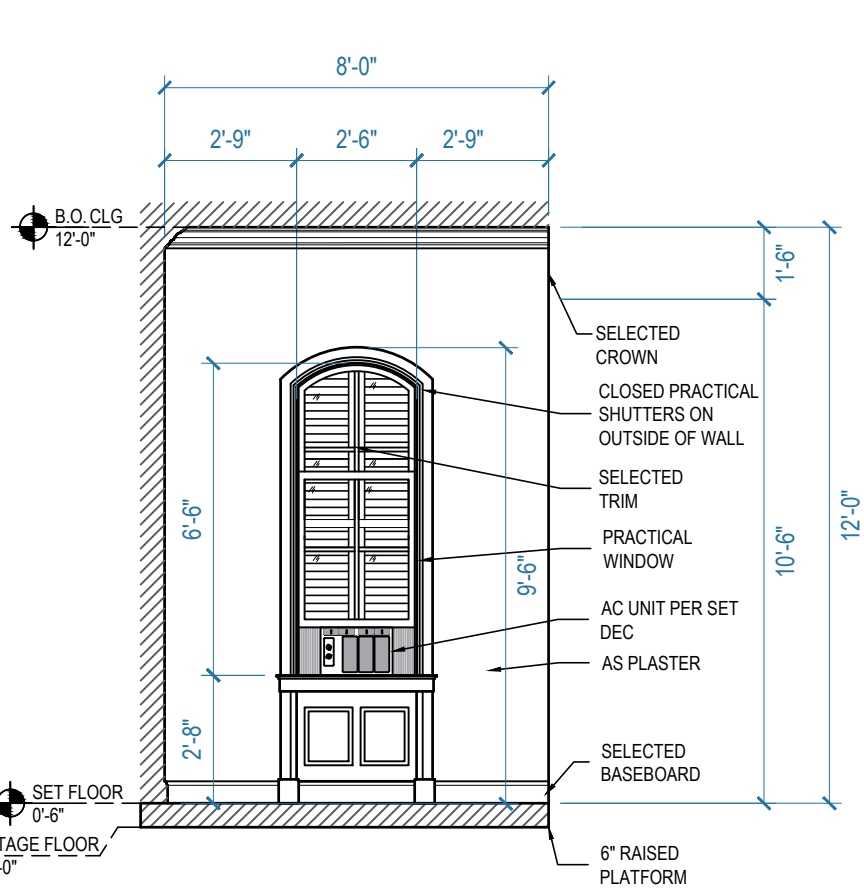
2 CEILING PLAN  
SCALE: 1/4" = 1'-0"



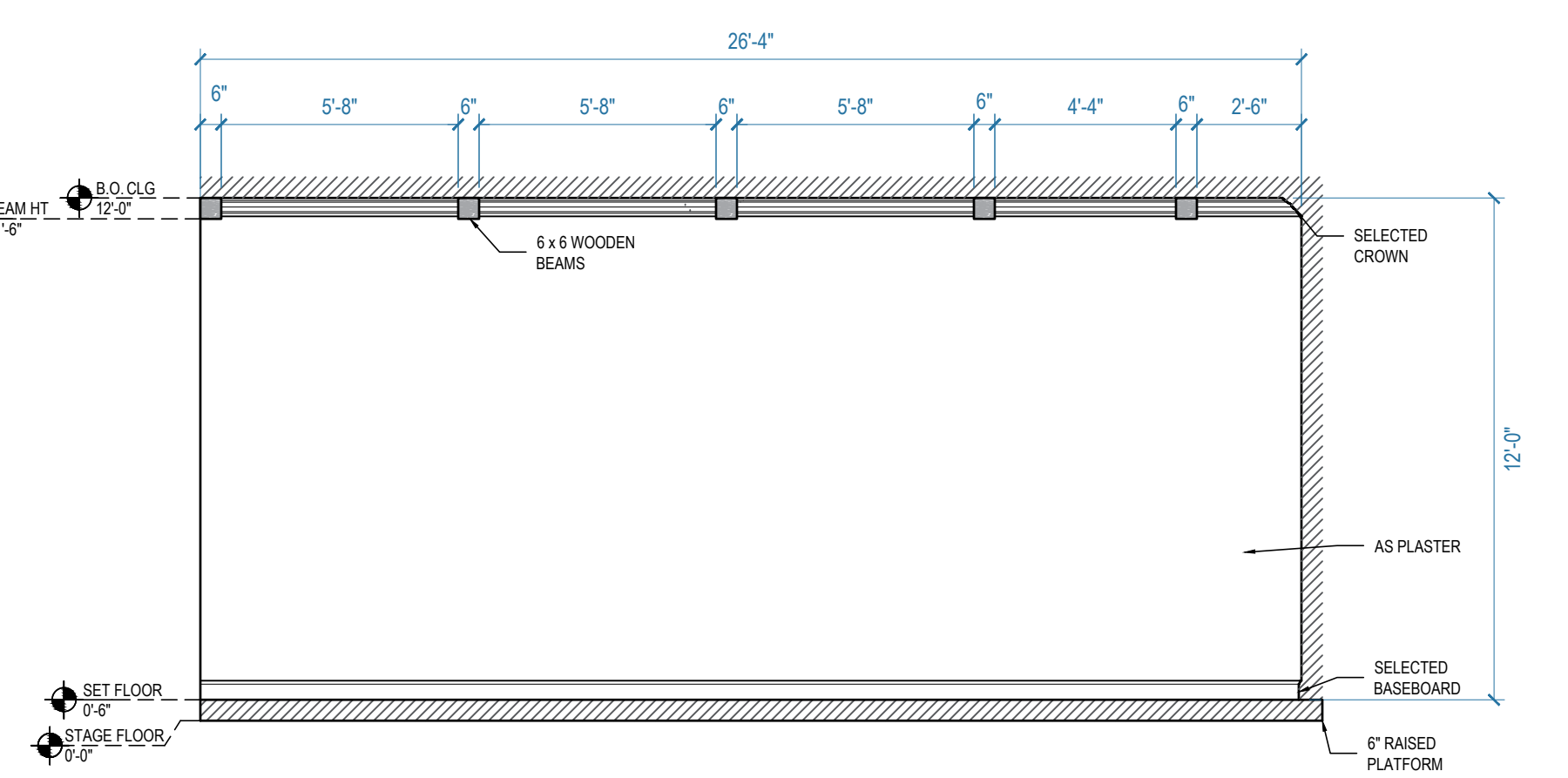
**A** APARTMENT ELEVATION  
SCALE:  $\frac{1}{4}'' = 1'-0''$



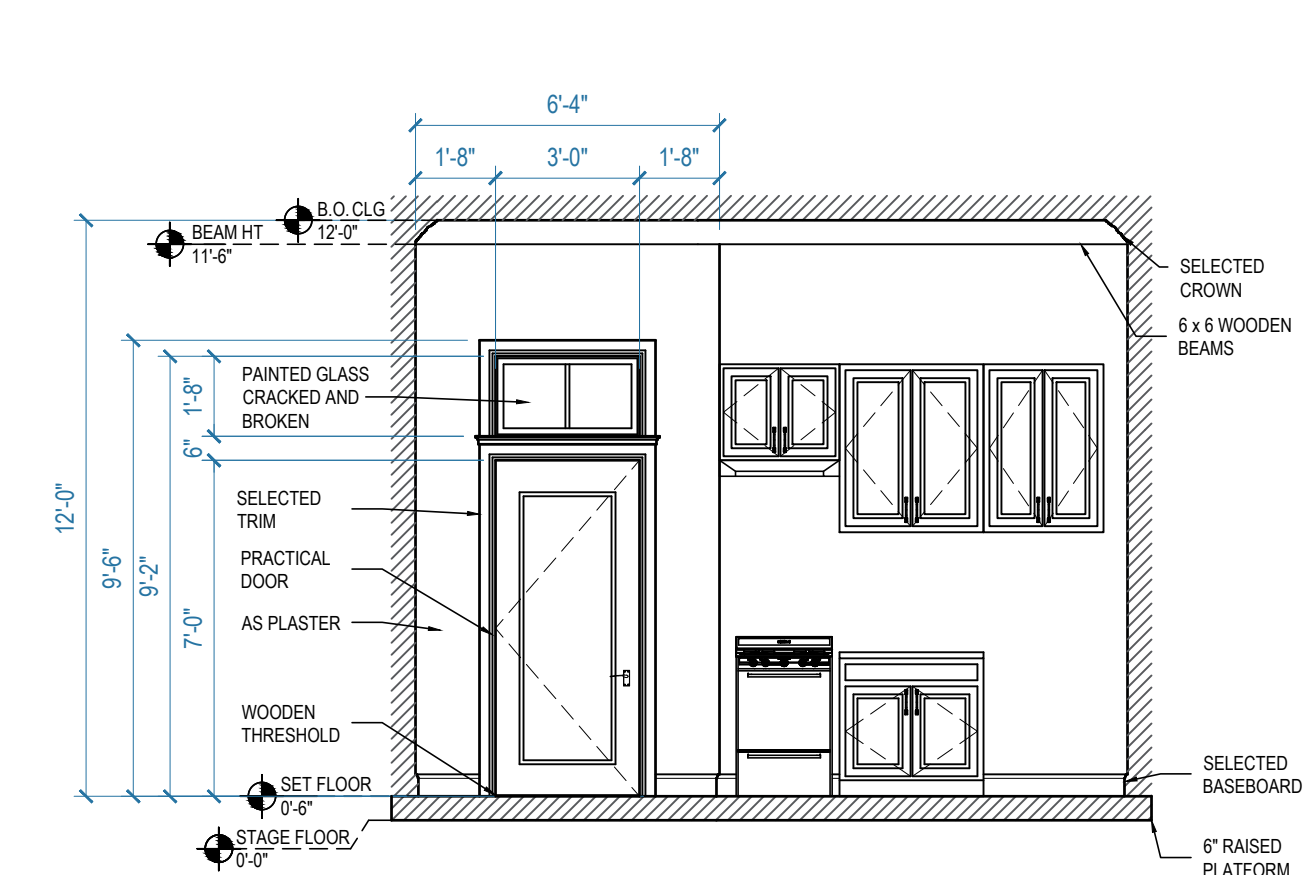
**B** APARTMENT ELEVATION  
SCALE:  $\frac{1}{4}'' = 1'-0''$



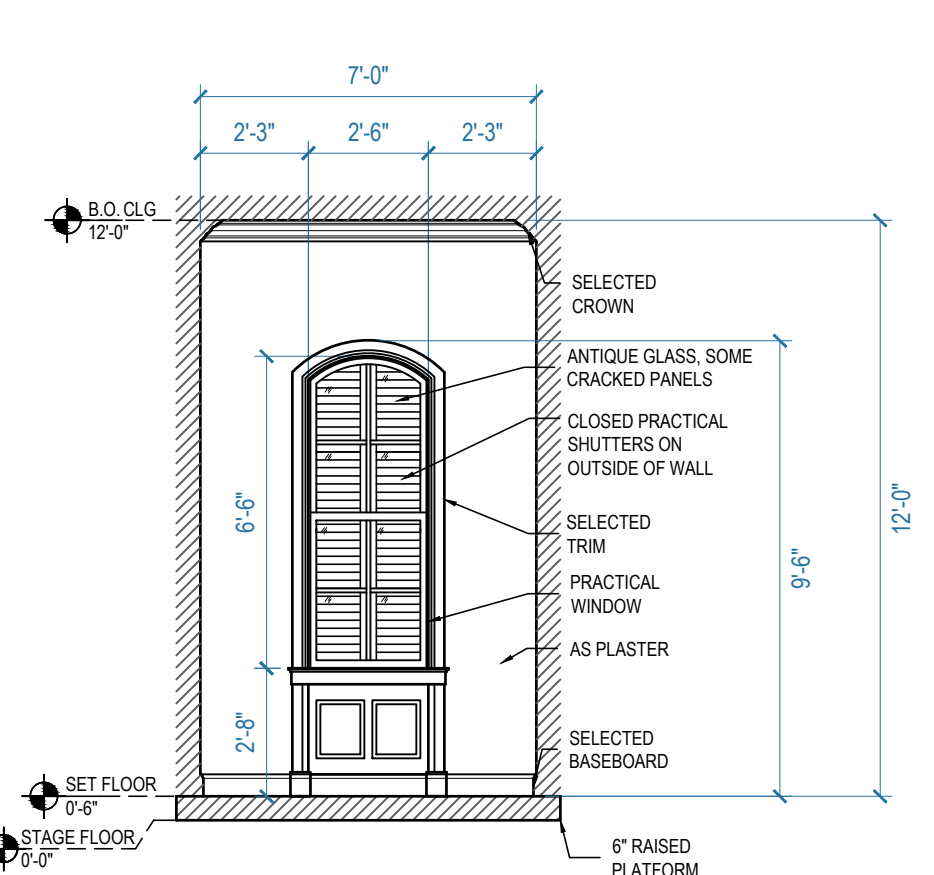
**C** APARTMENT ELEVATION  
SCALE:  $\frac{1}{4}'' = 1'-0''$



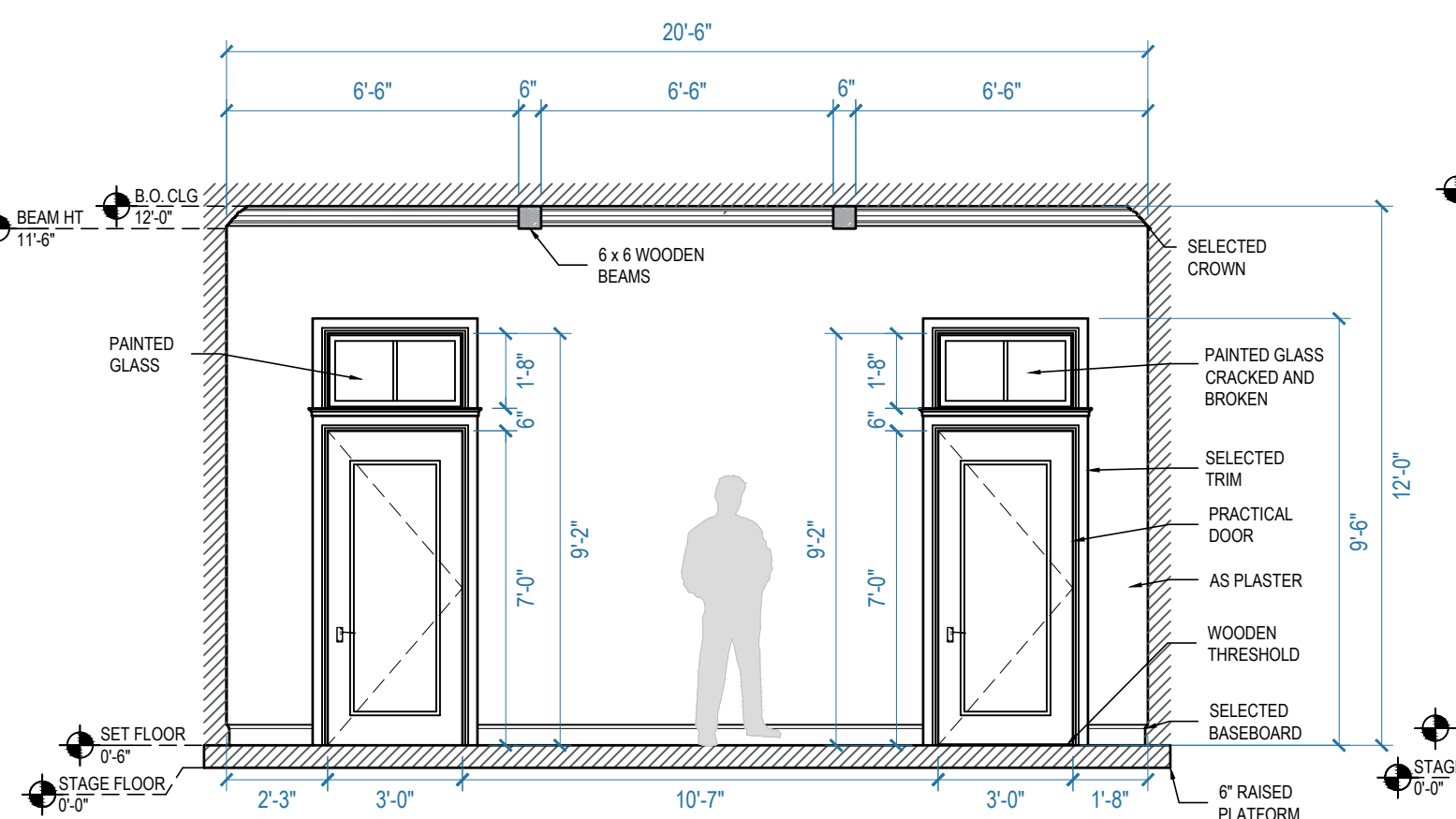
**D** APARTMENT ELEVATION  
SCALE:  $\frac{1}{4}'' = 1'-0''$



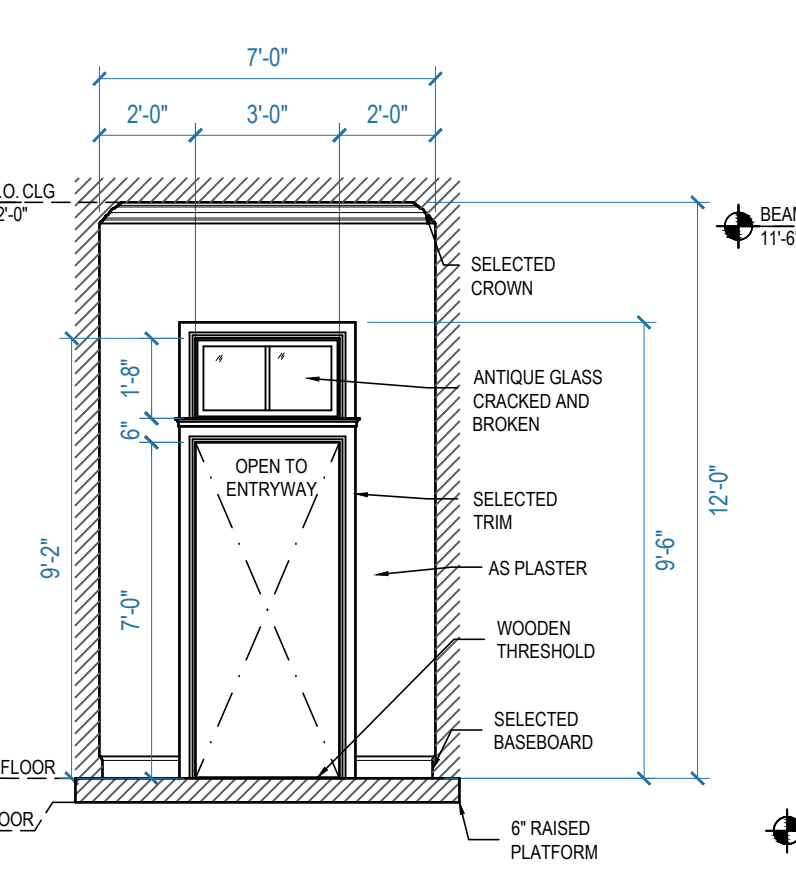
**E** APARTMENT ELEVATION  
SCALE:  $\frac{1}{4}'' = 1'-0''$



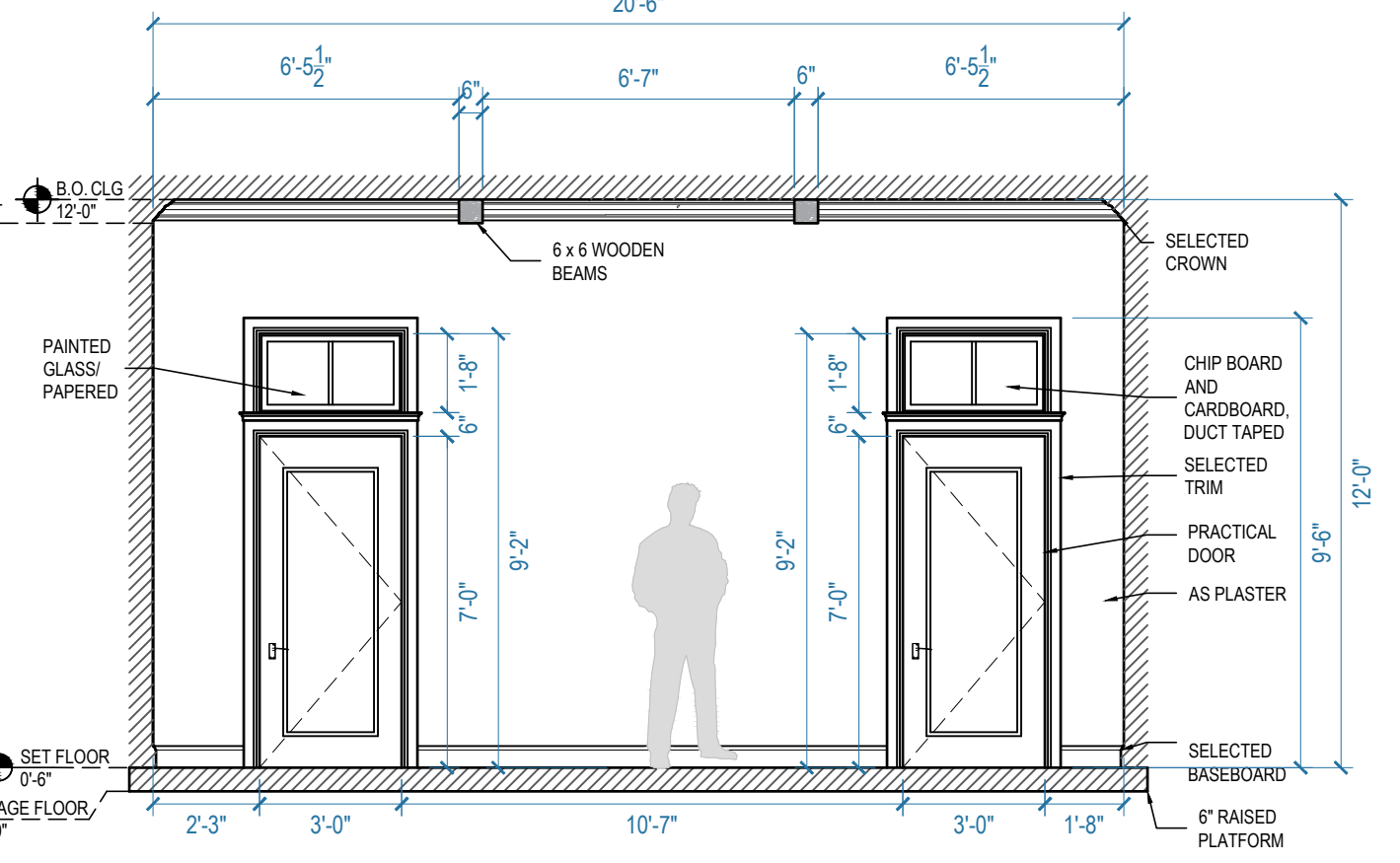
**F** HALLWAY ELEVATION  
SCALE:  $\frac{1}{4}'' = 1'-0''$



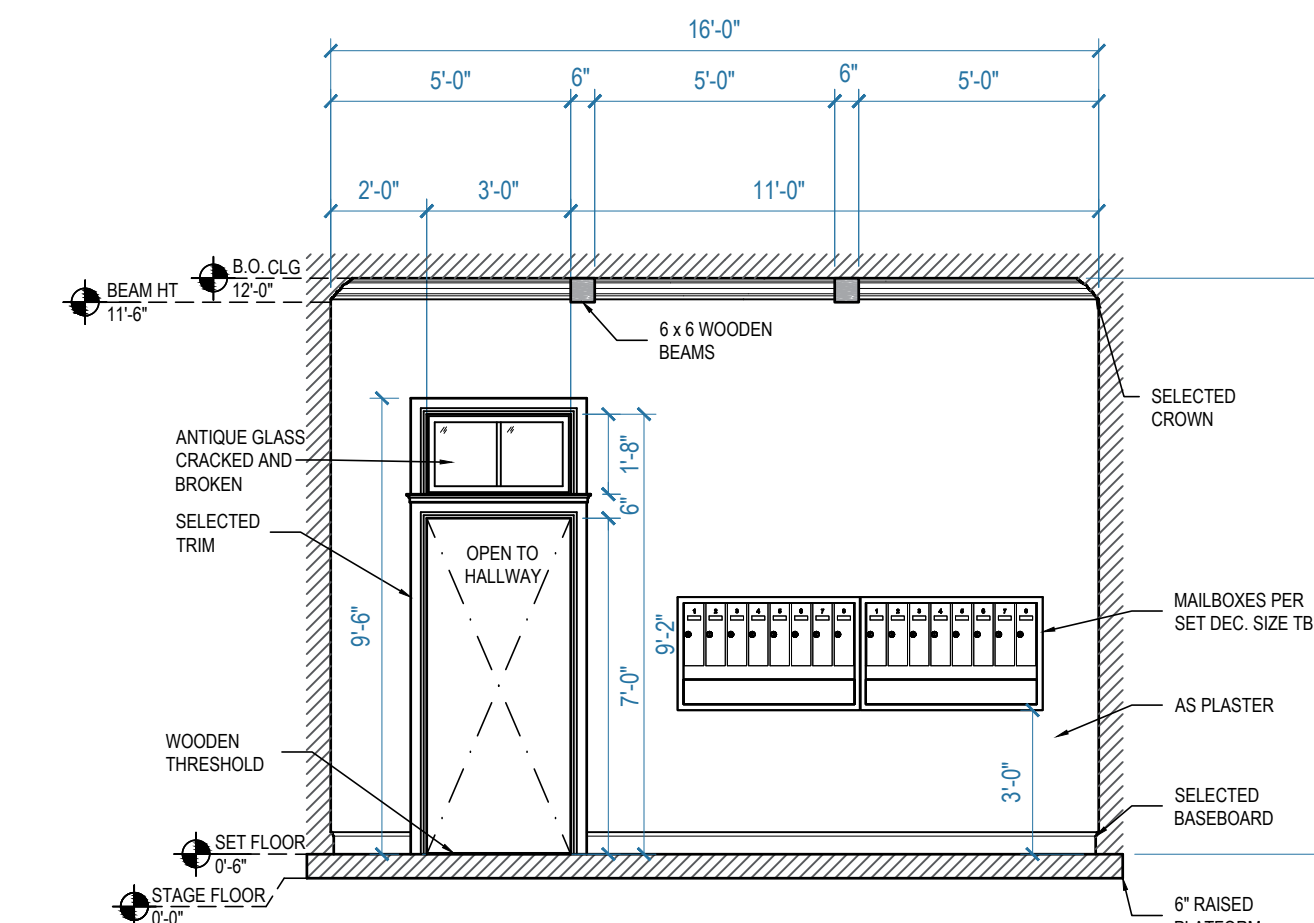
**G** HALLWAY ELEVATION  
SCALE:  $\frac{1}{4}'' = 1'-0''$



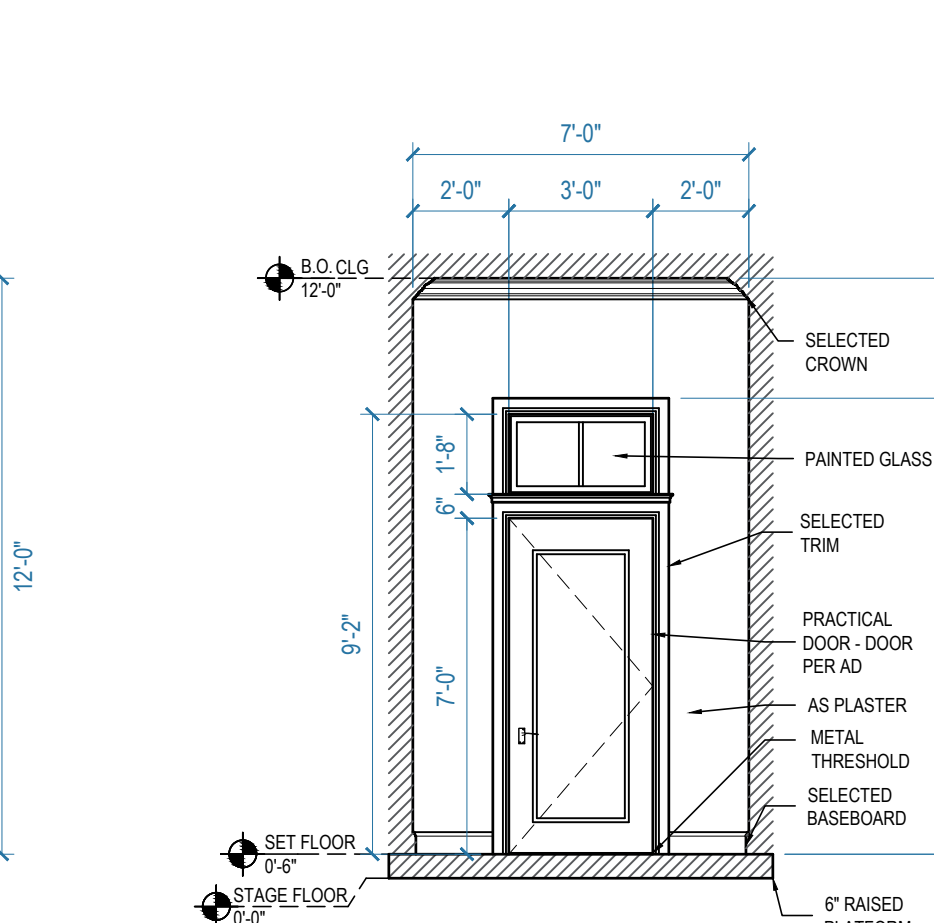
**H** HALLWAY ELEVATION  
SCALE:  $\frac{1}{4}'' = 1'-0''$



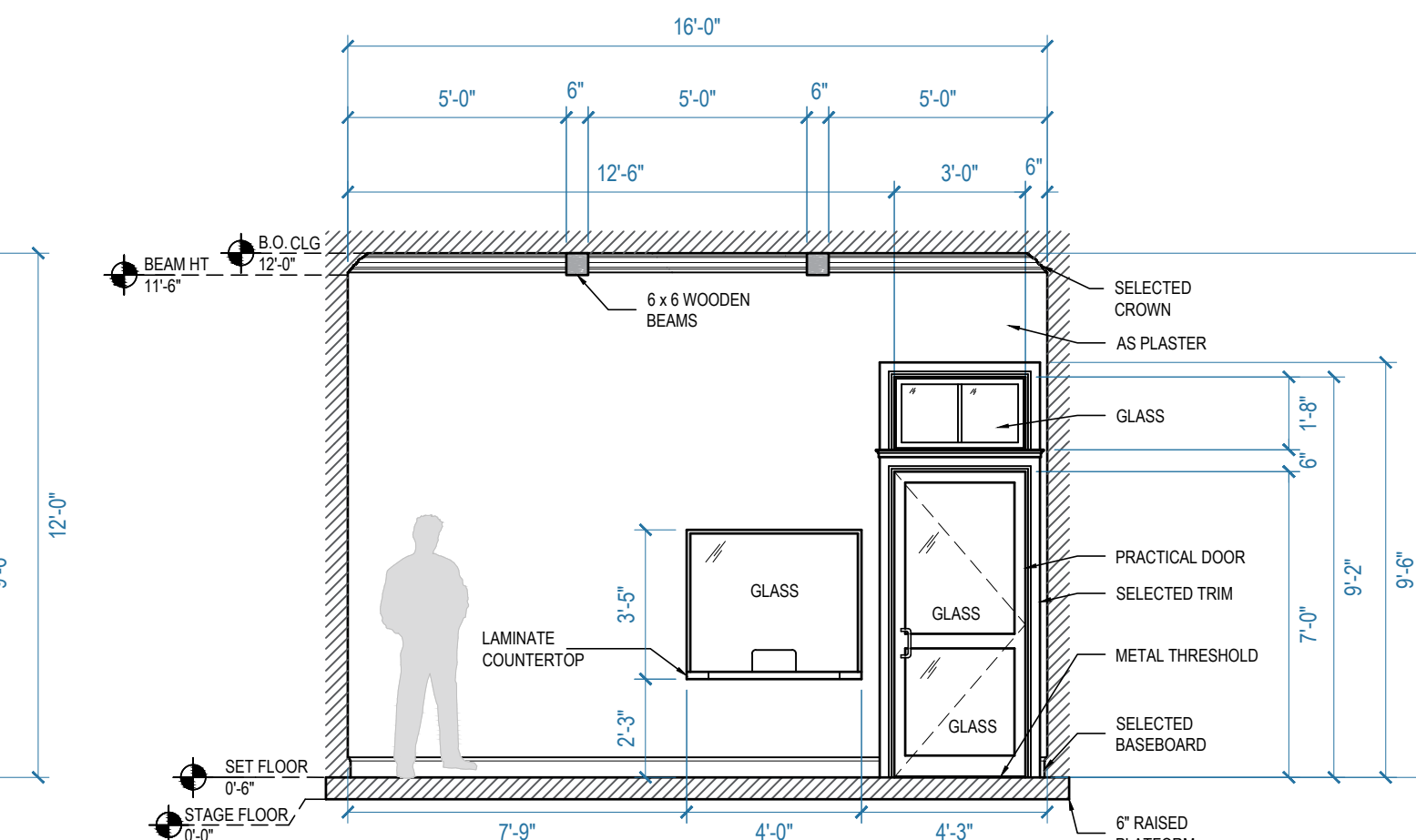
**I** HALLWAY ELEVATION  
SCALE:  $\frac{1}{4}'' = 1'-0''$



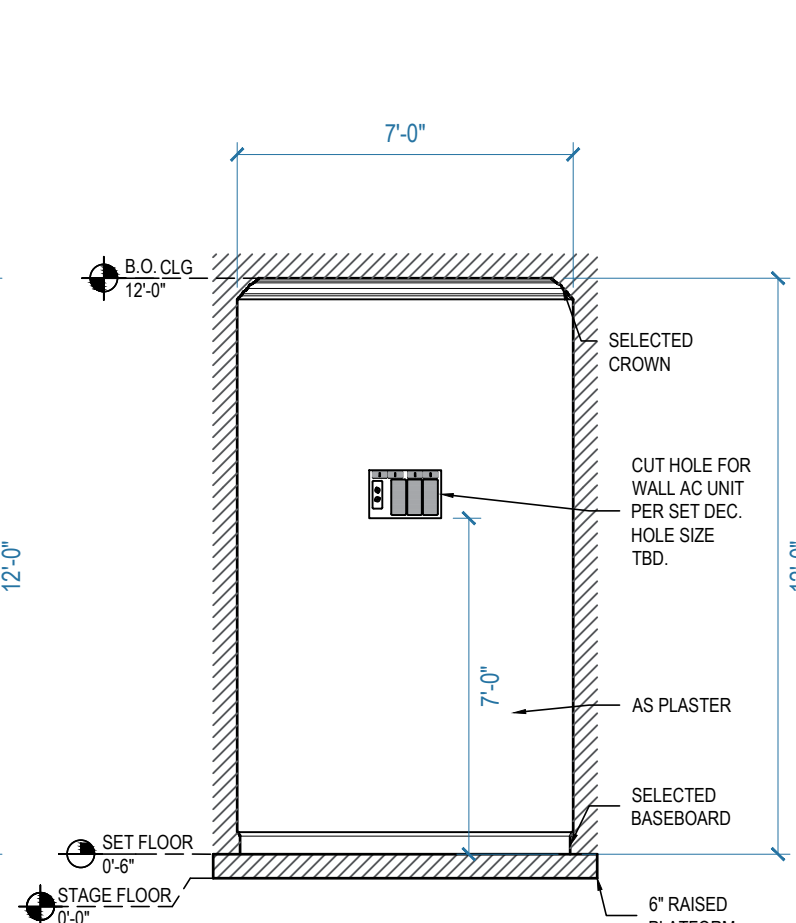
**J** ENTRYWAY ELEVATION  
SCALE:  $\frac{1}{4}'' = 1'-0''$



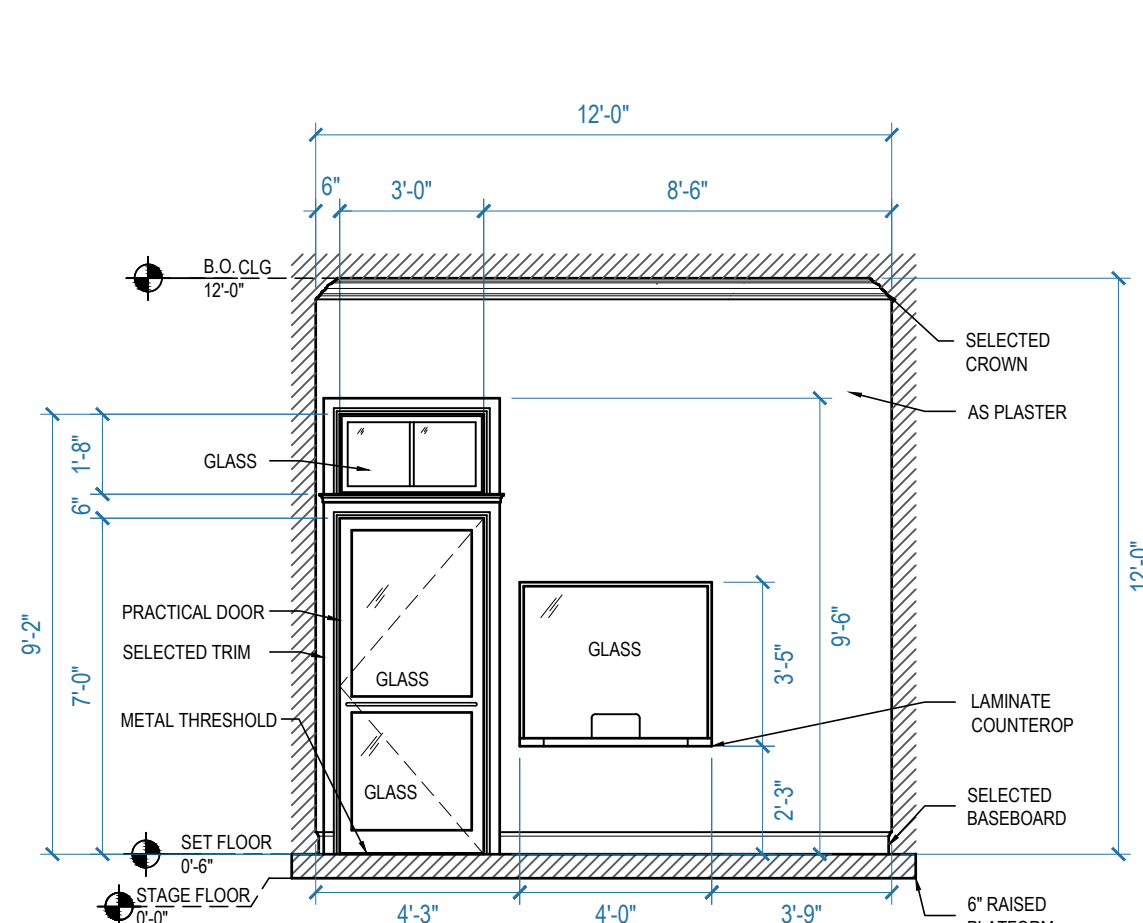
**K** ENTRYWAY ELEVATION  
SCALE:  $\frac{1}{4}'' = 1'-0''$



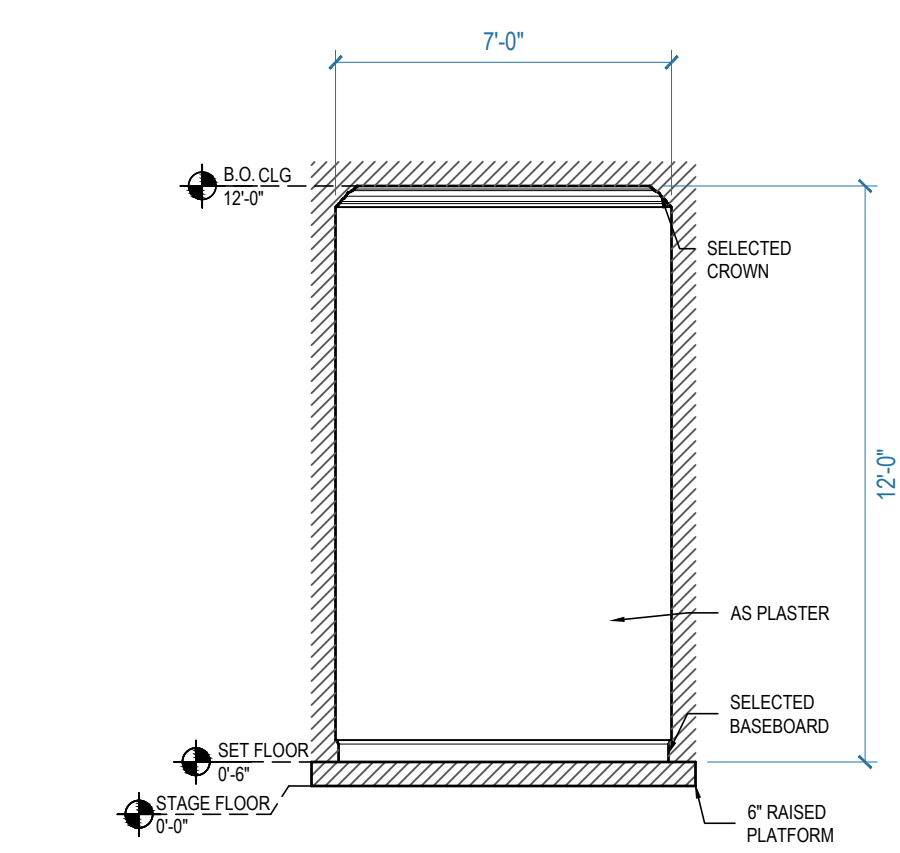
**L** ENTRYWAY ELEVATION  
SCALE:  $\frac{1}{4}'' = 1'-0''$



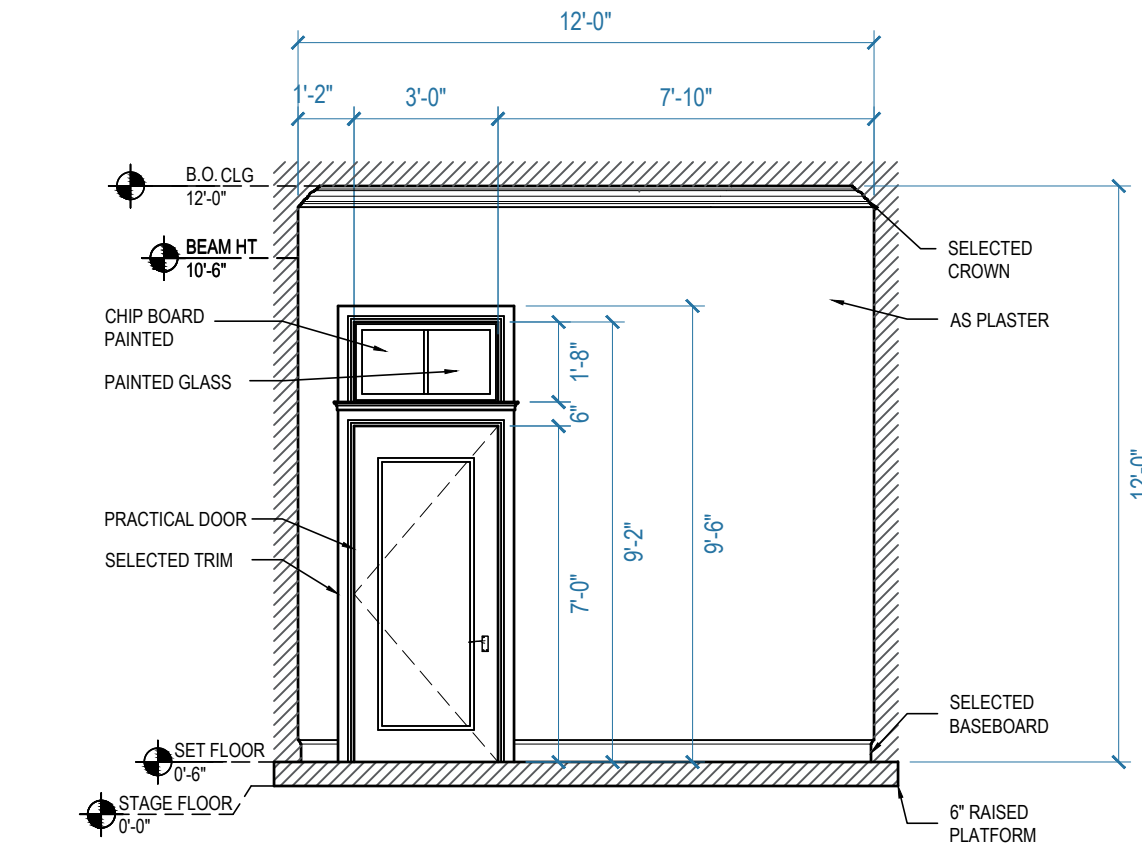
**M** ENTRYWAY ELEVATION  
SCALE:  $\frac{1}{4}'' = 1'-0''$



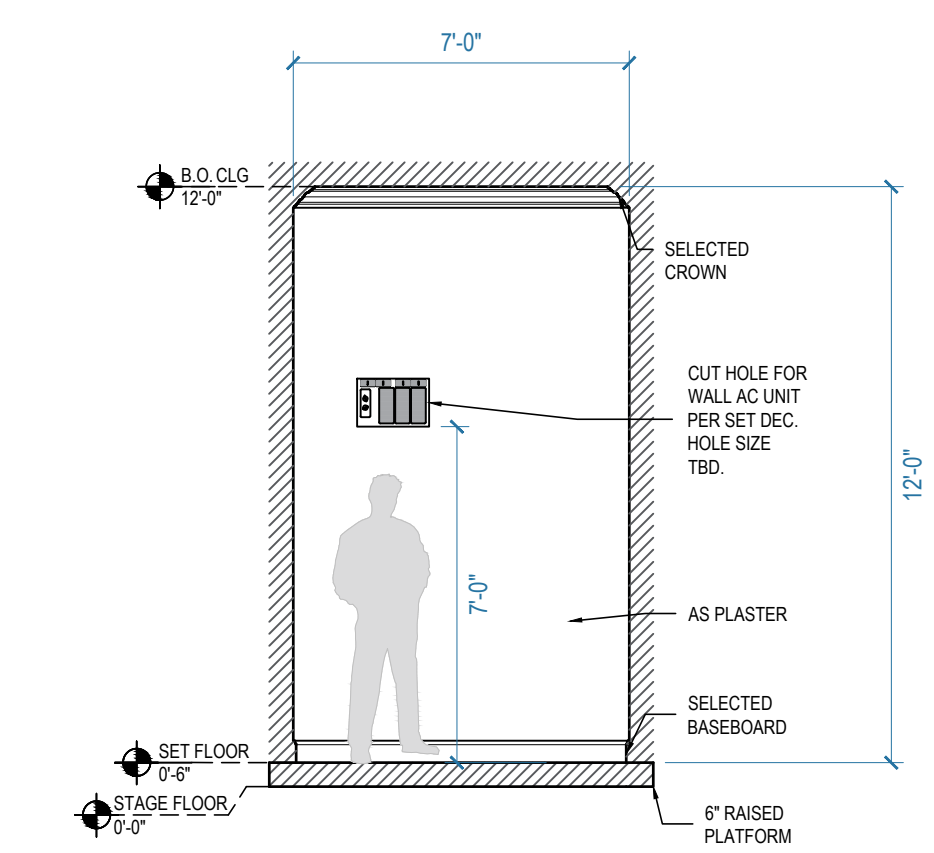
**N** OFFICE ELEVATION  
SCALE:  $\frac{1}{4}'' = 1'-0''$



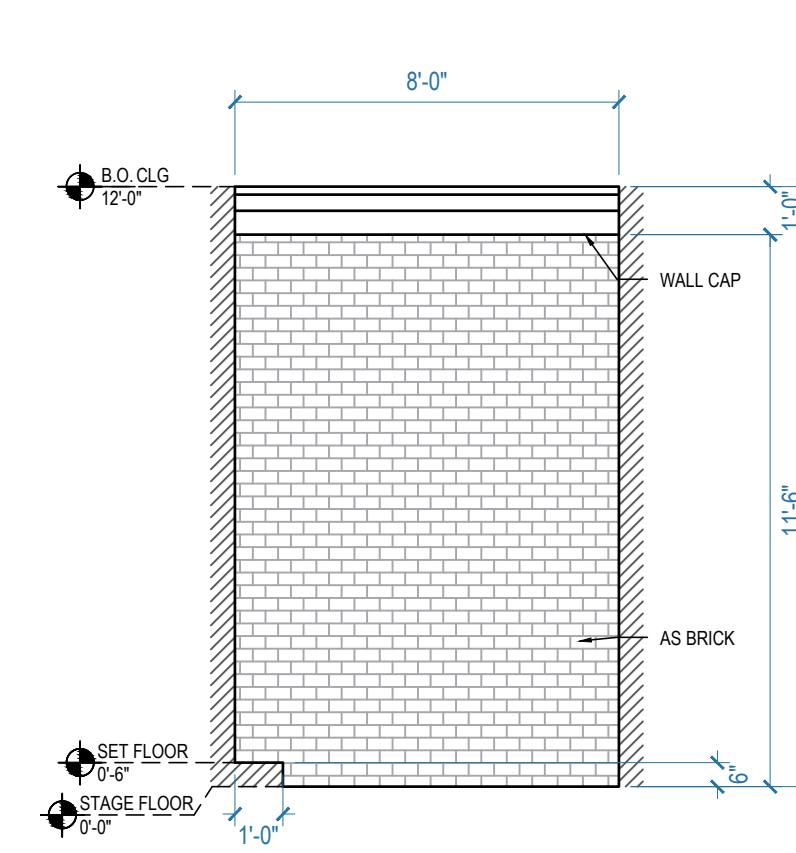
**O** OFFICE ELEVATION  
SCALE:  $\frac{1}{4}'' = 1'-0''$



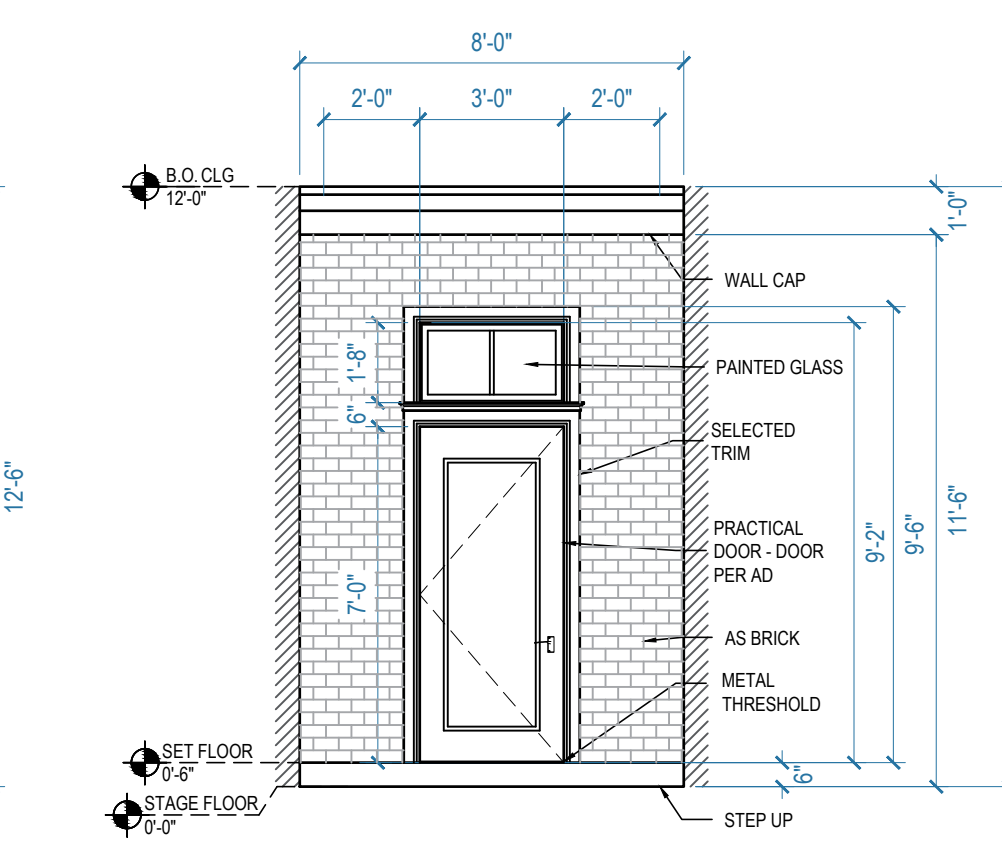
**P** OFFICE ELEVATION  
SCALE:  $\frac{1}{4}'' = 1'-0''$



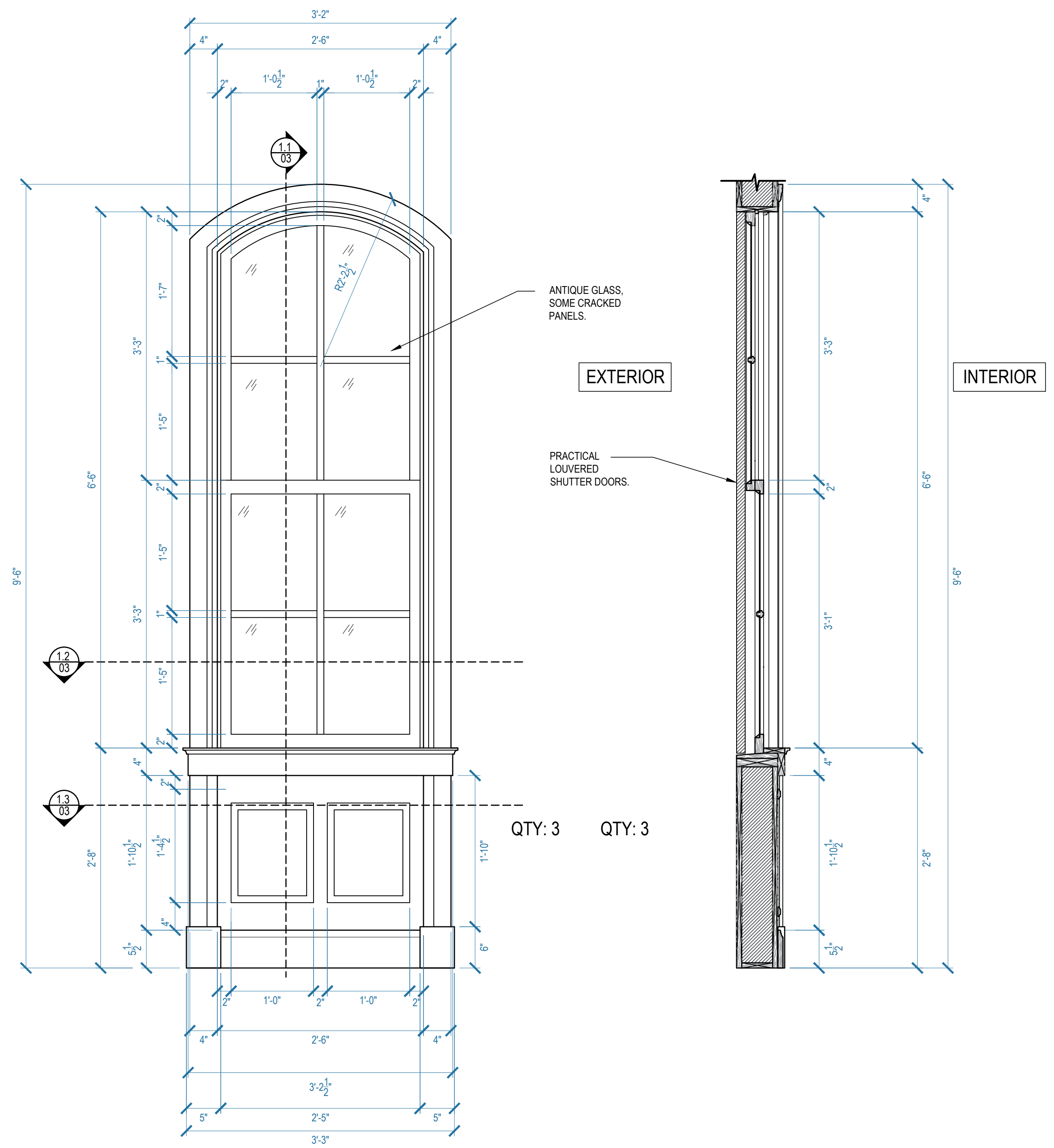
**Q** OFFICE ELEVATION  
SCALE:  $\frac{1}{4}'' = 1'-0''$



**R** EXTERIOR ELEVATION  
SCALE:  $\frac{1}{4}'' = 1'-0''$



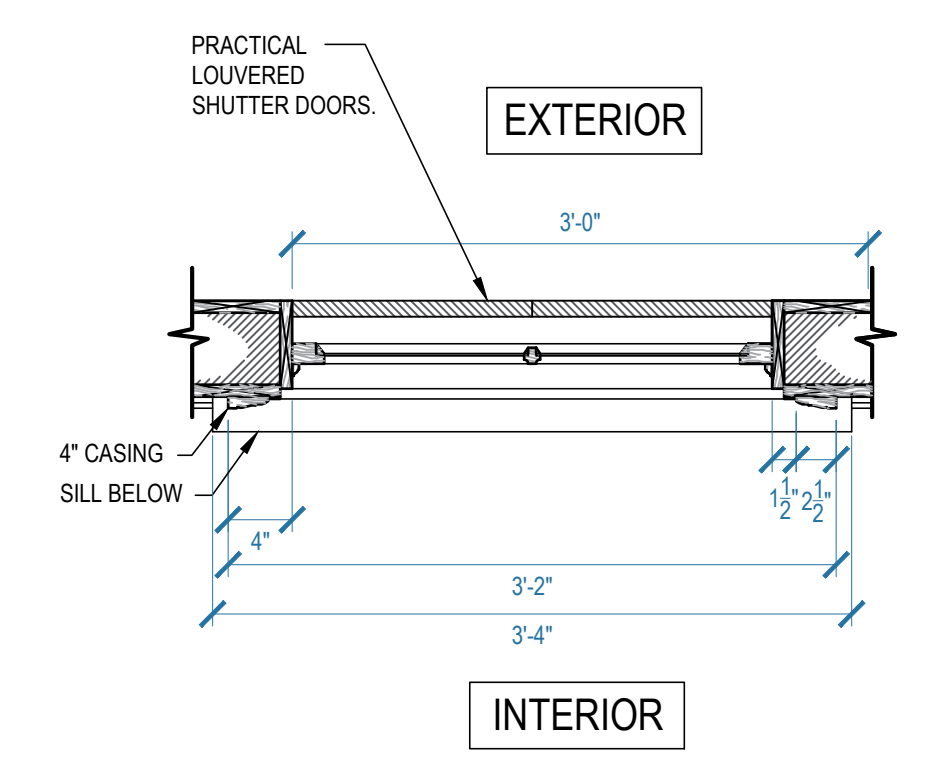
**S** EXTERIOR ELEVATION  
SCALE:  $\frac{1}{4}'' = 1'-0''$



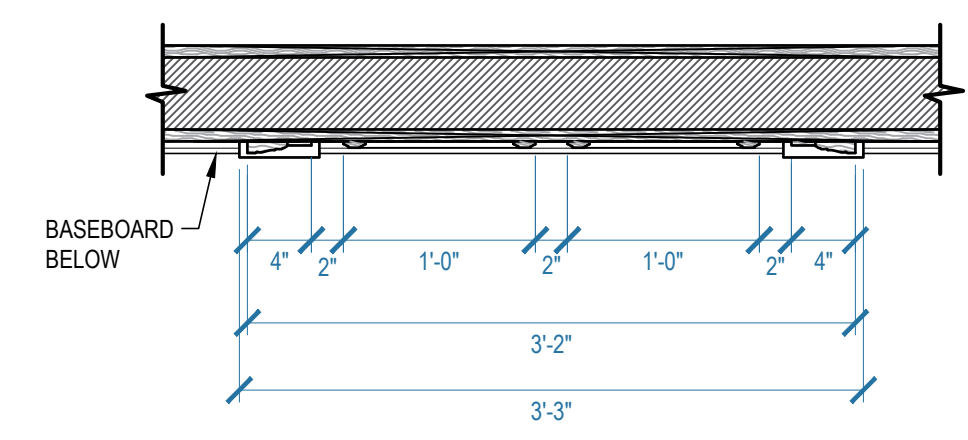
QTY: 3 QTY: 3

1.0 INT ELEVATION - WINDOW 1  
SCALE: 1" = 1'-0"

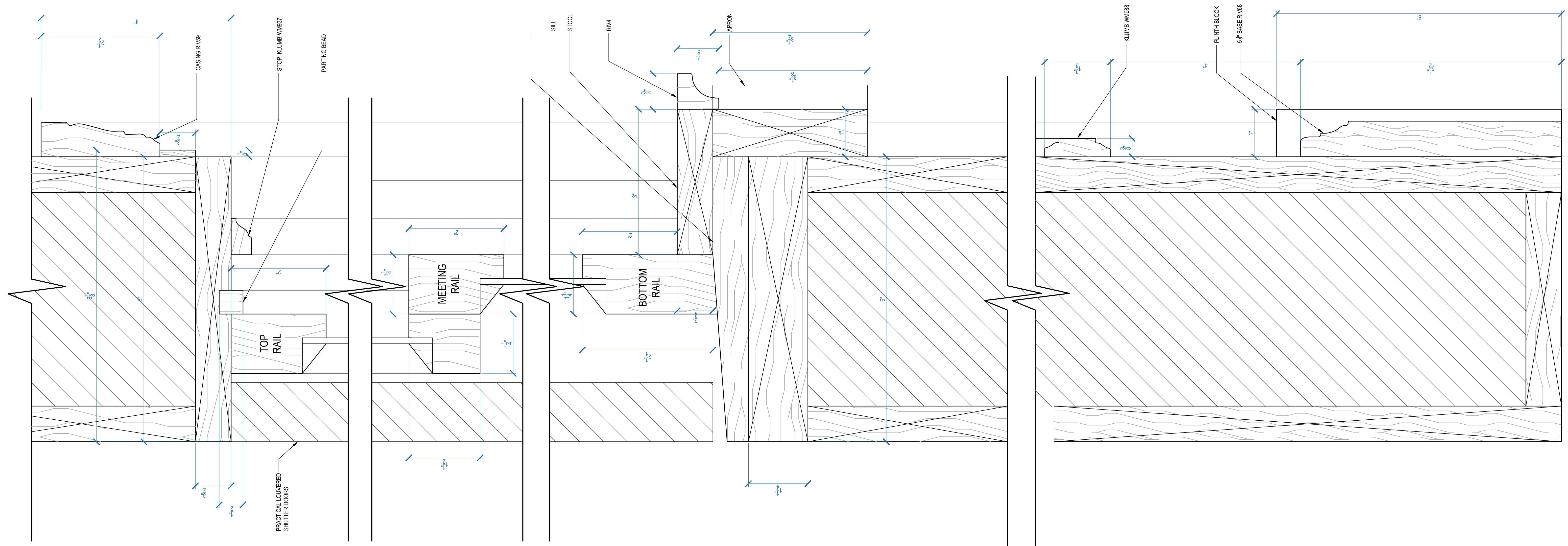
1.1 SECTION - WINDOW 1  
SCALE: 1" = 1'-0"



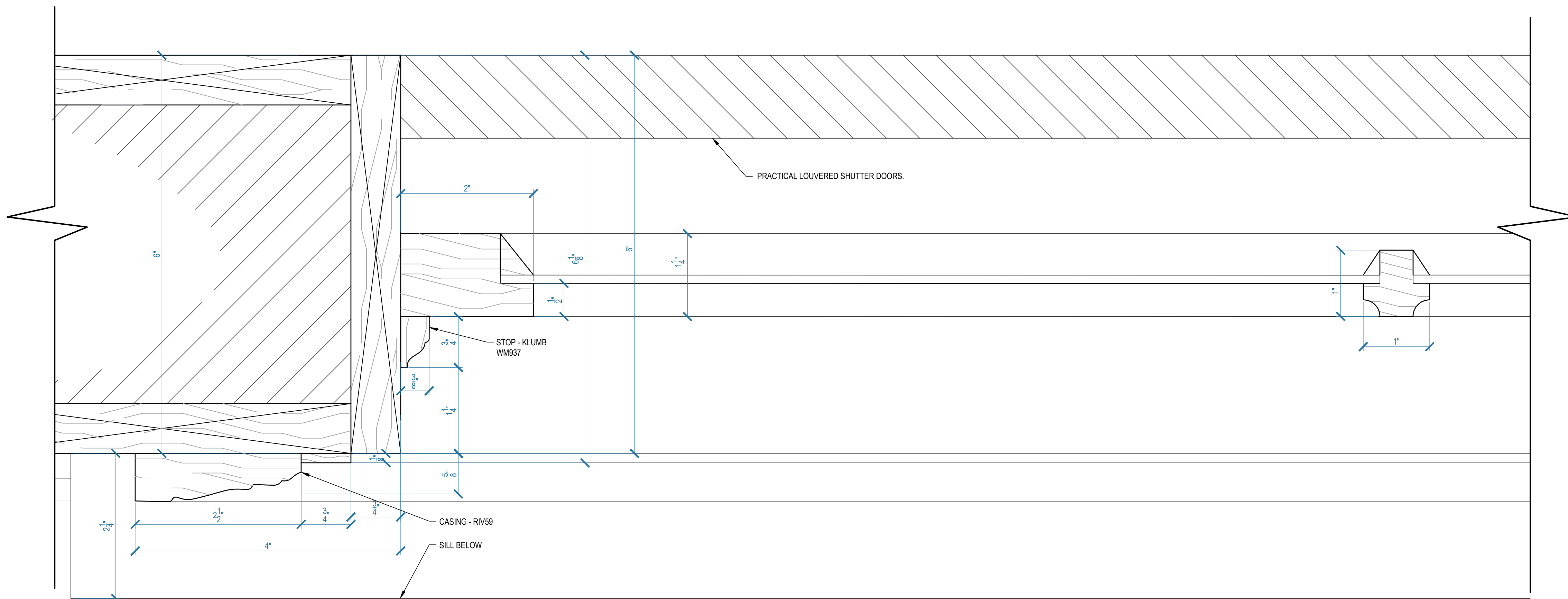
1.2 PLAN - WINDOW 1  
SCALE: 1" = 1'-0"



1.3 PLAN - WINDOW 1  
SCALE: 1" = 1'-0"

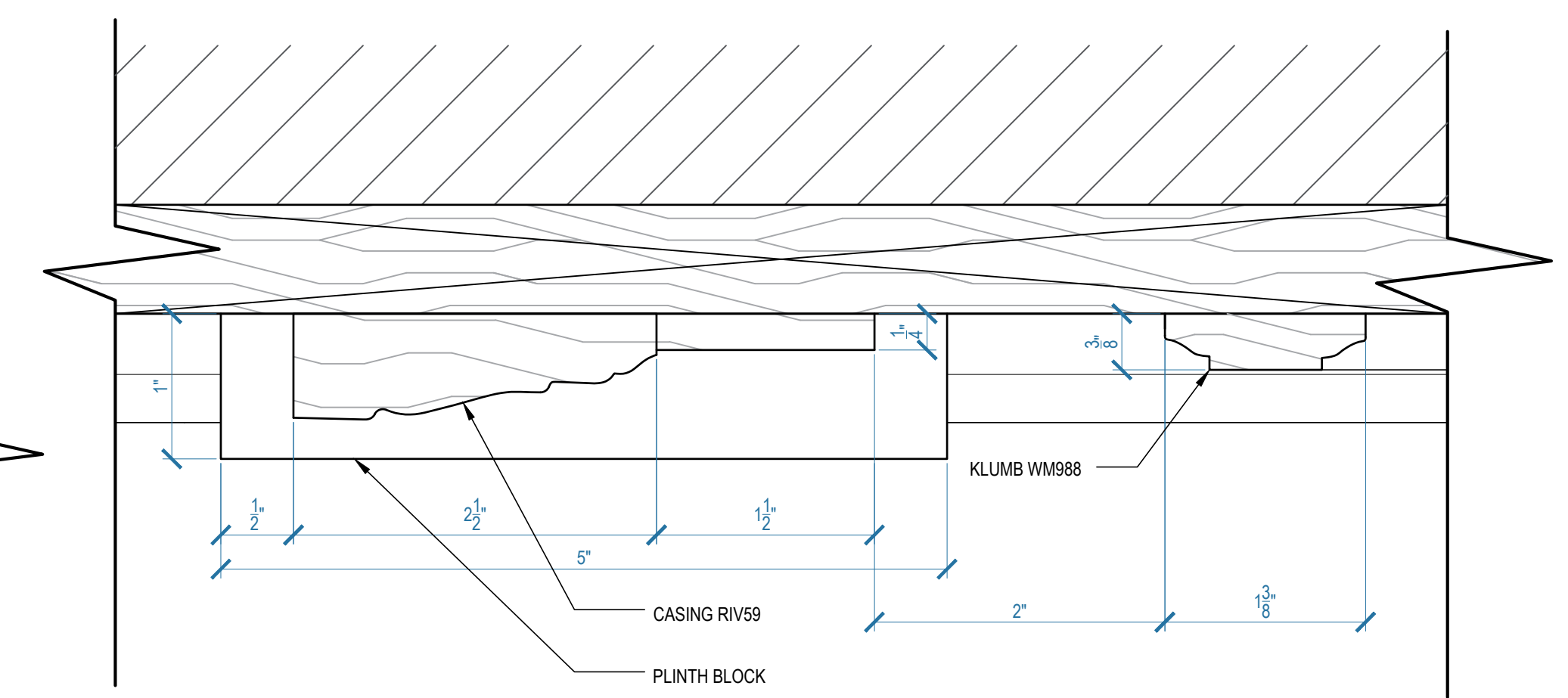


**1.5** DETAIL - WINDOW 1  
FULL SCALE

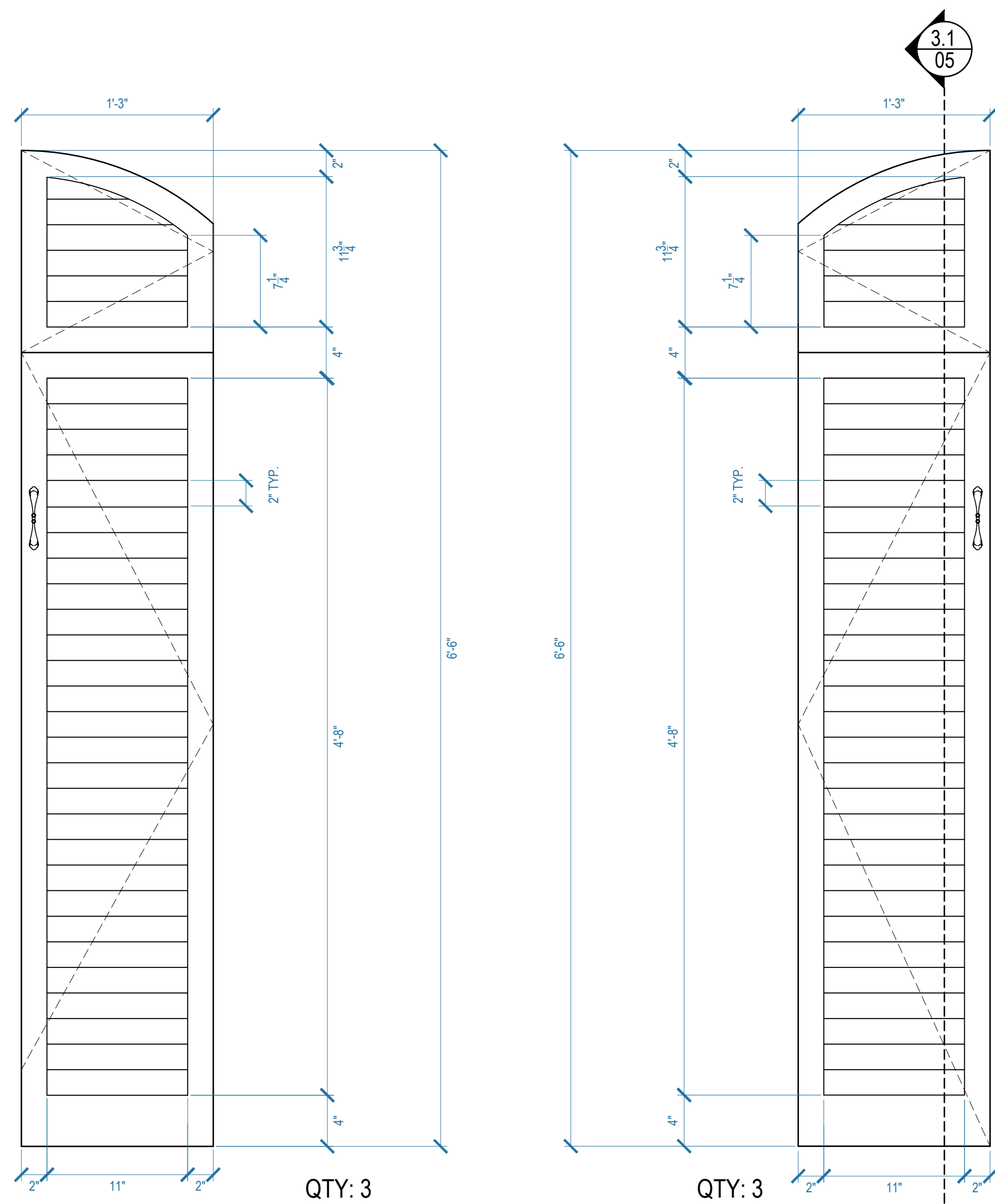


**1.4** PLAN DETAIL - WINDOW 1  
FULL SCALE

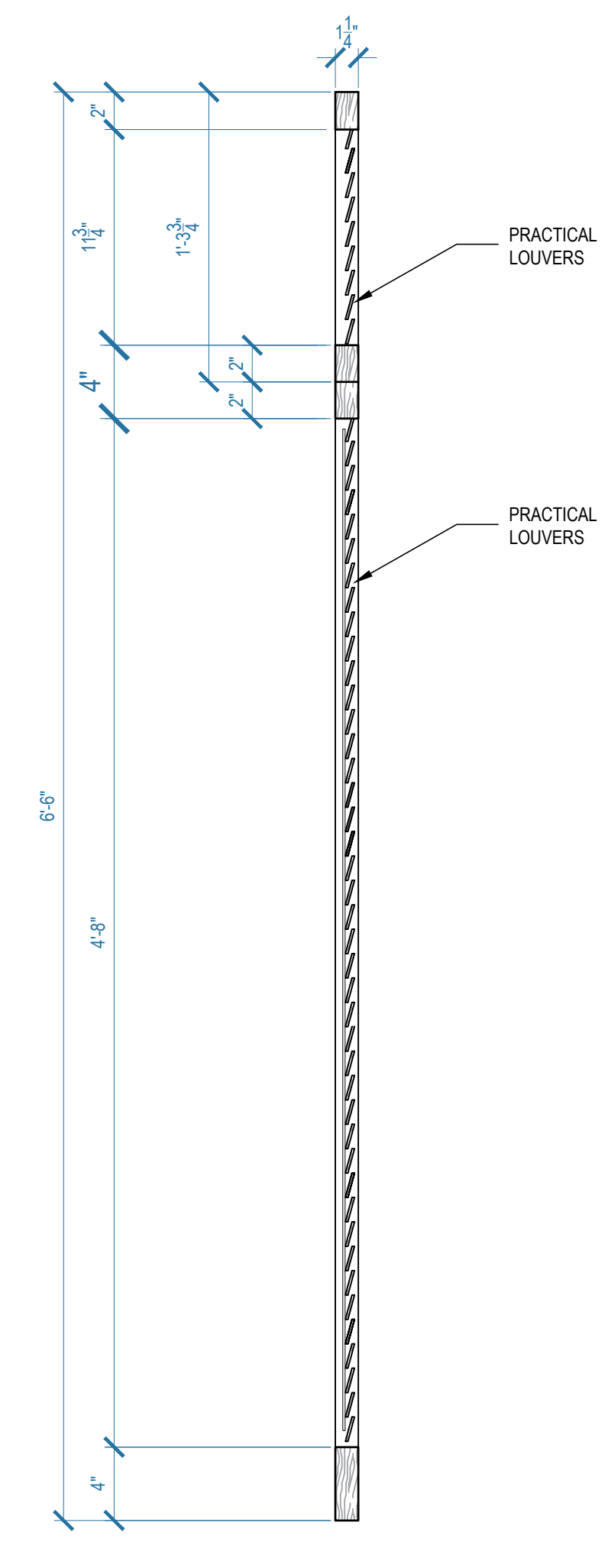
INTERIOR



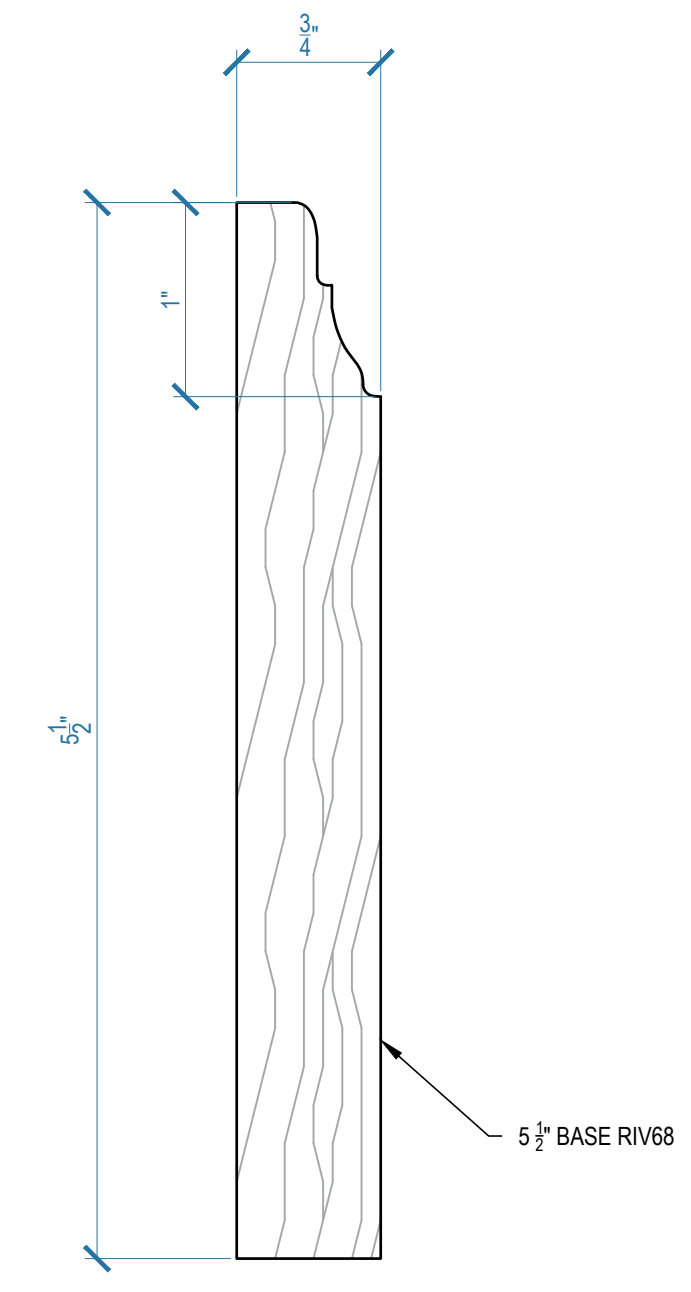
**1.6** PLAN DETAIL - WINDOW 1  
FULL SCALE



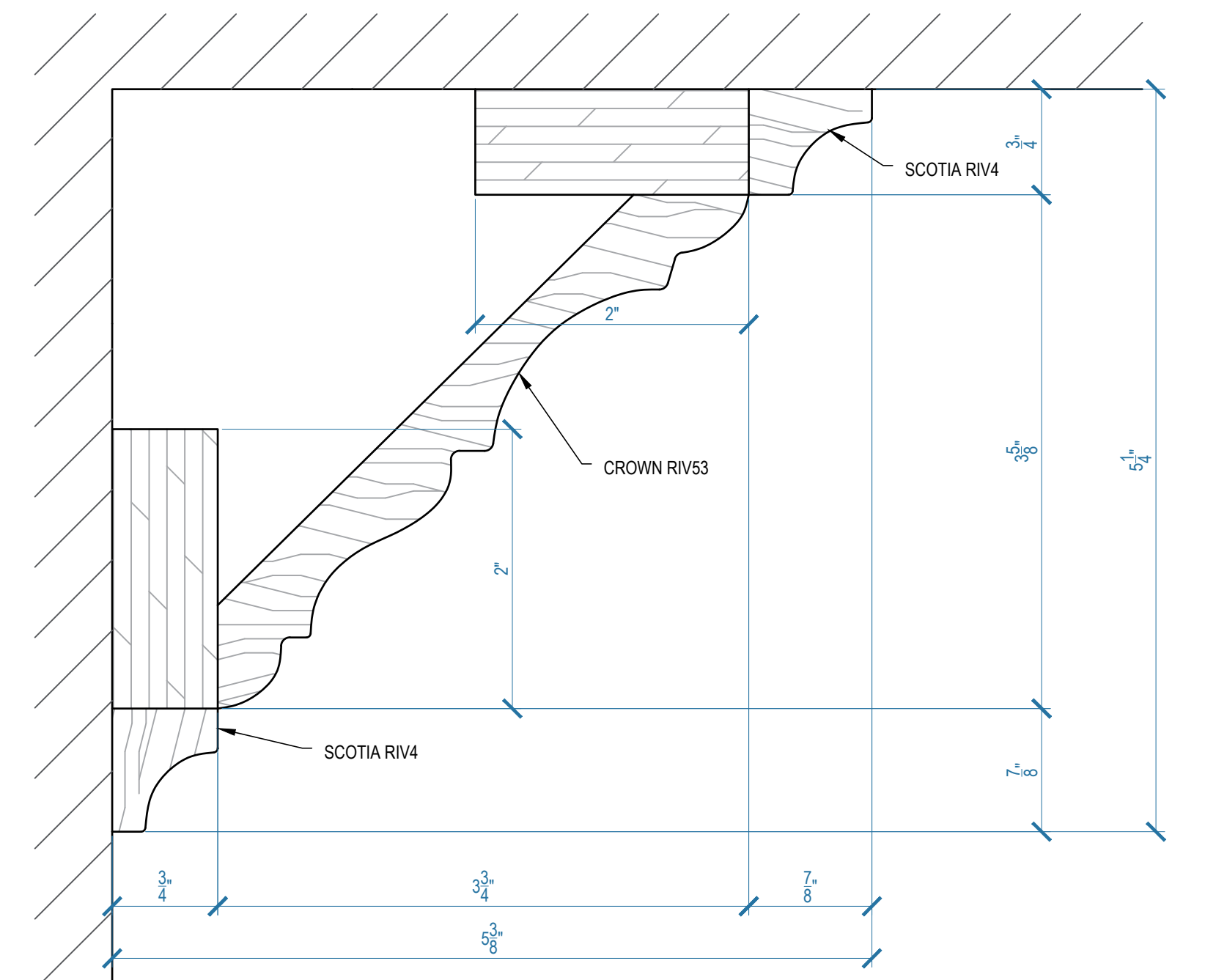
3.0 ELEVATION - SHUTTERS  
SCALE: 1 1/2" = 1'-0"



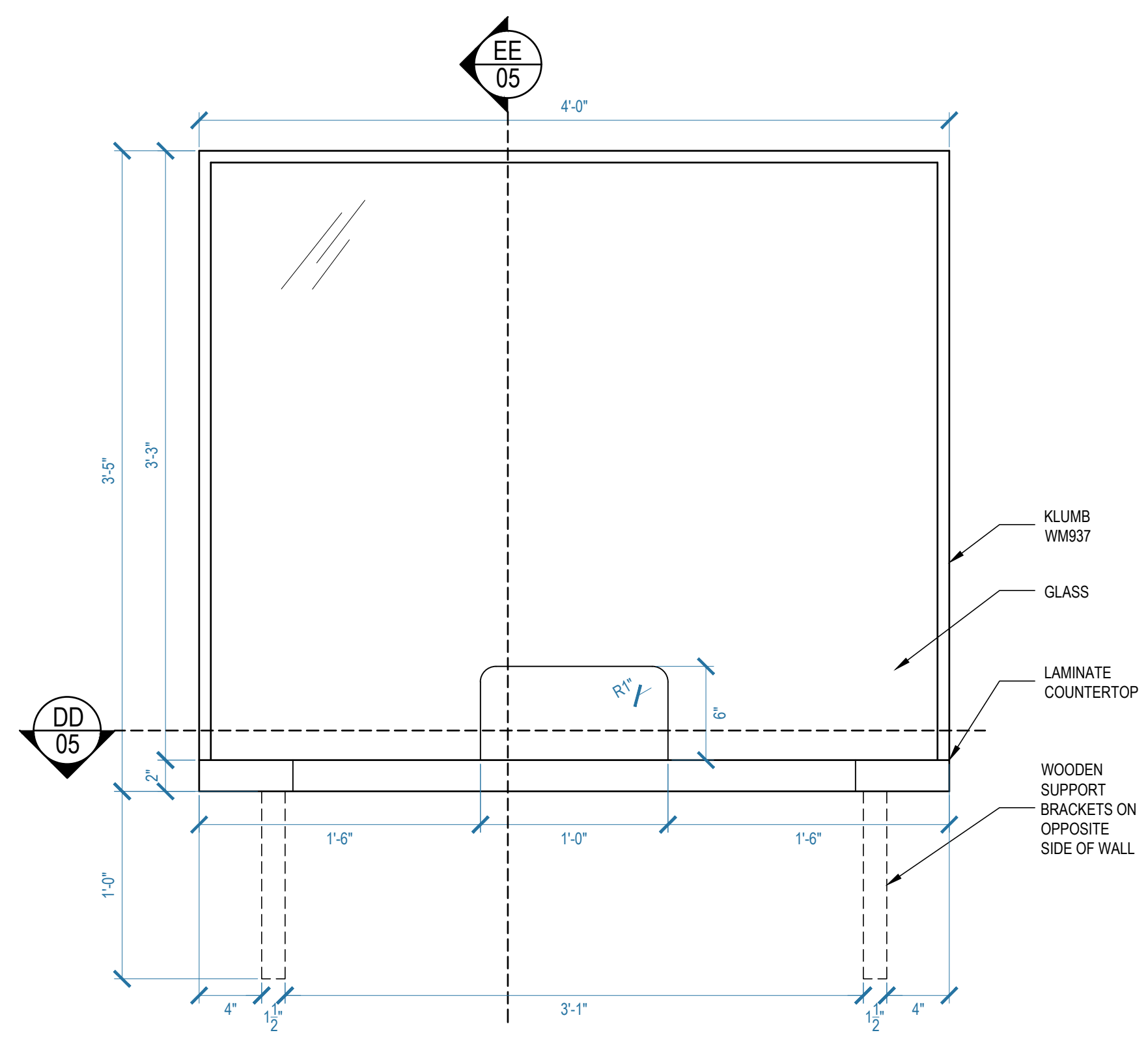
3.1 SECTION - SHUTTERS  
SCALE: 1 1/2" = 1'-0"



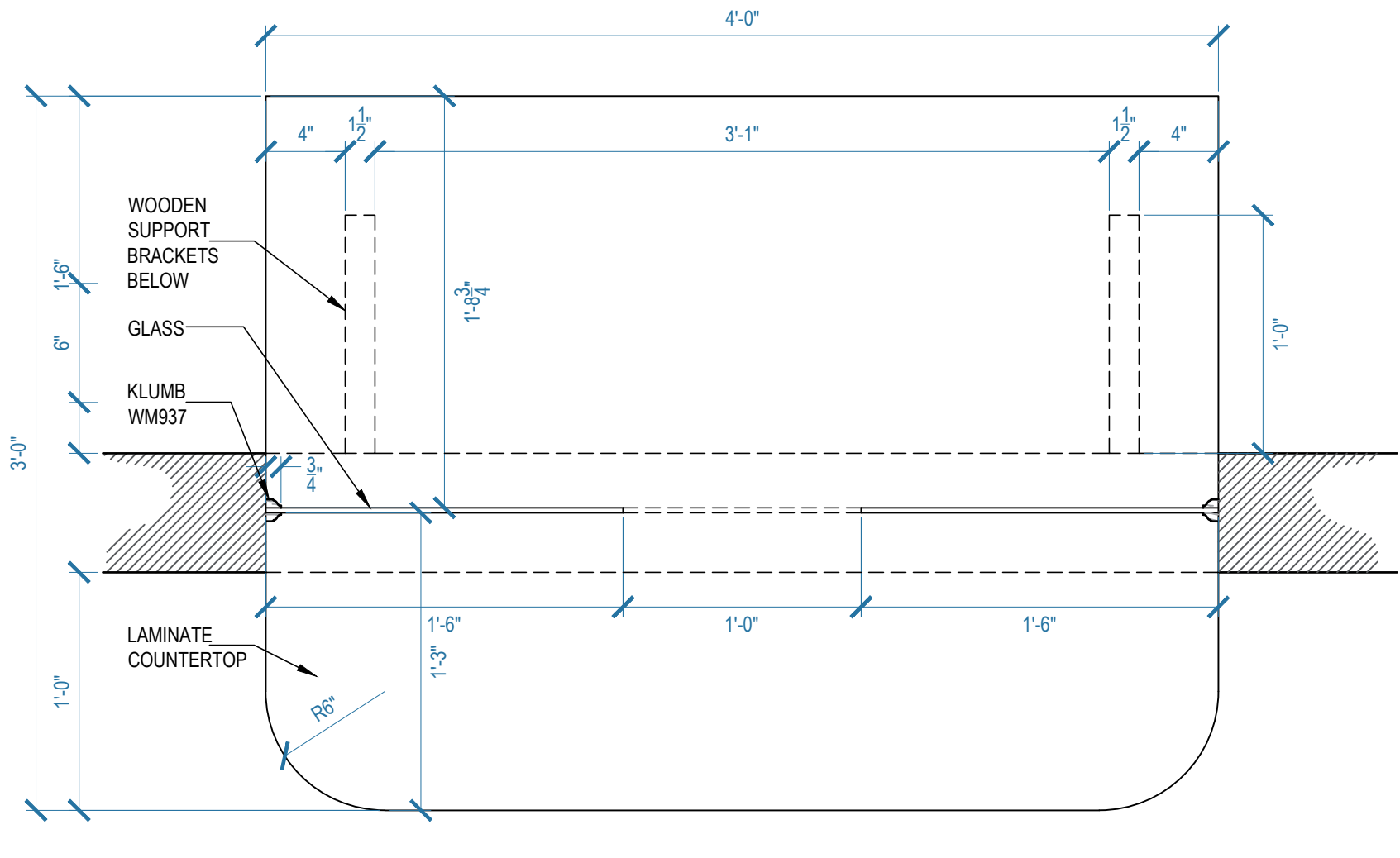
AA DETAIL - BASEBOARD  
FULL SCALE



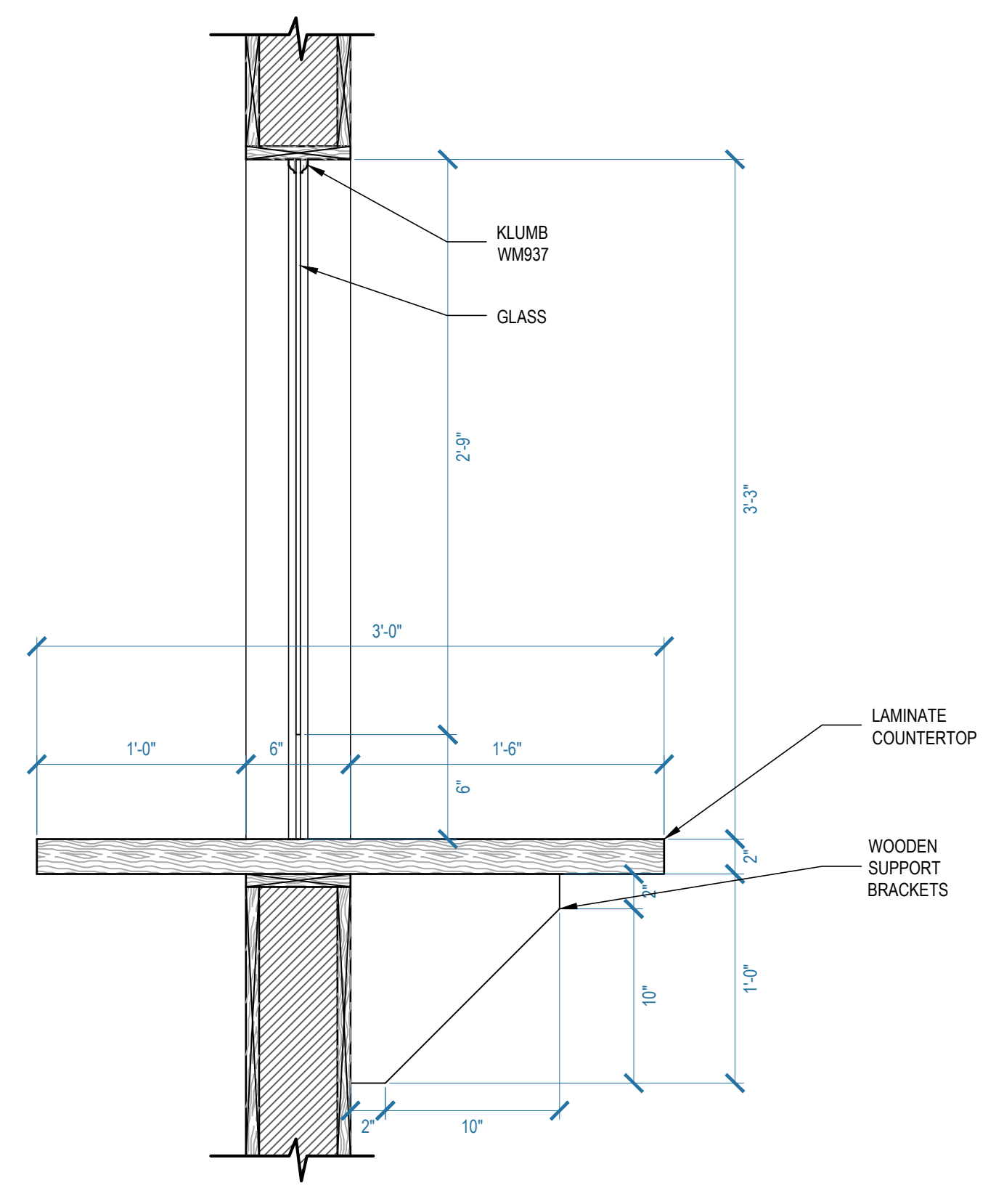
BB DETAIL - CROWN  
FULL SCALE



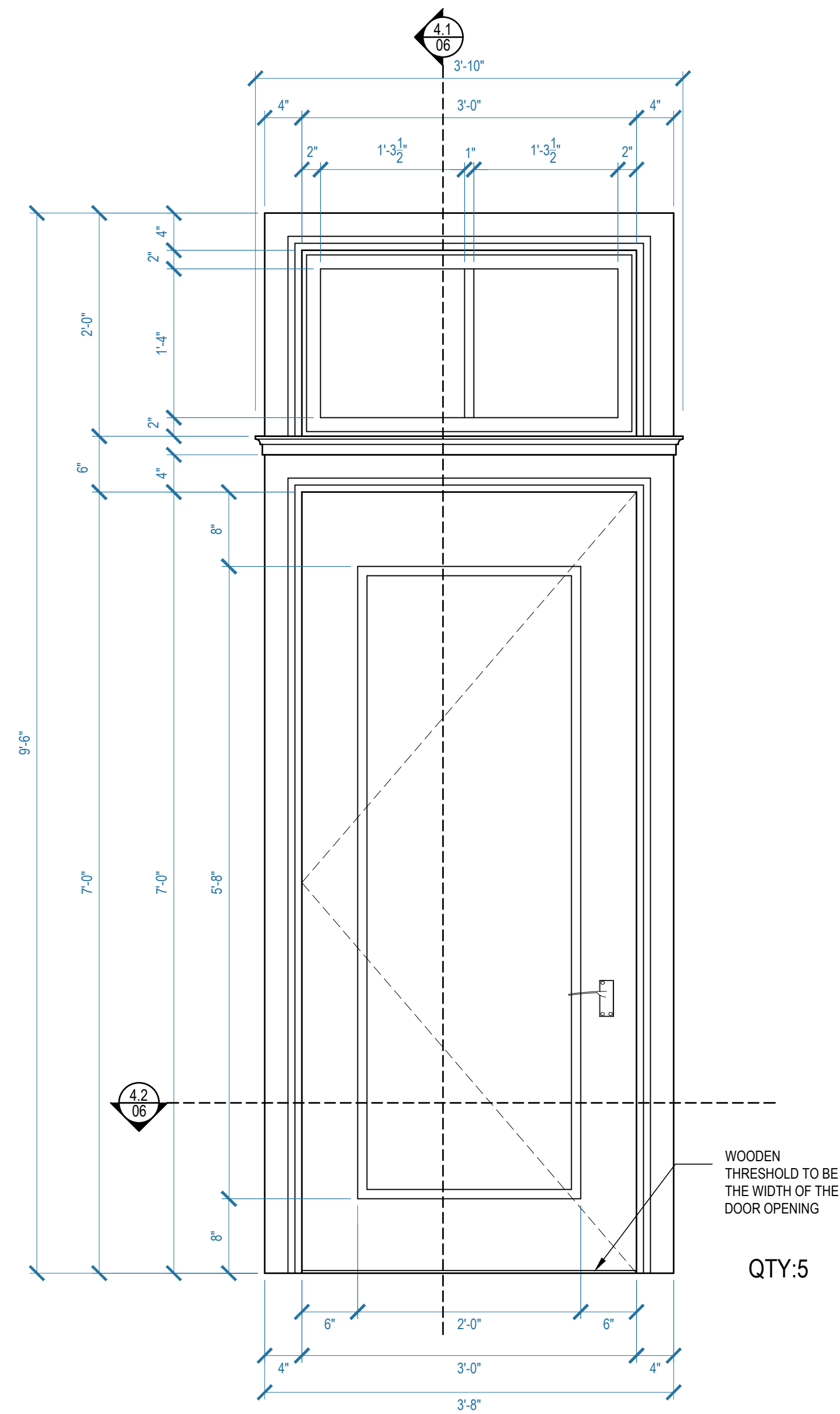
CC ELEVATION - OFFICE WINDOW  
SCALE: 1 1/2" = 1'-0"



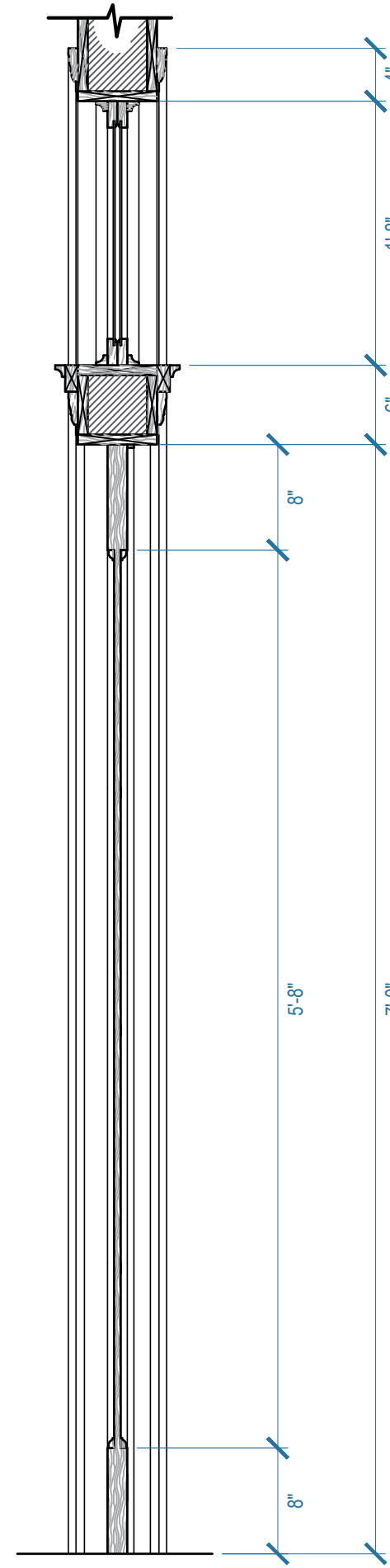
DD ELEVATION - OFFICE WINDOW  
SCALE: 1 1/2" = 1'-0"



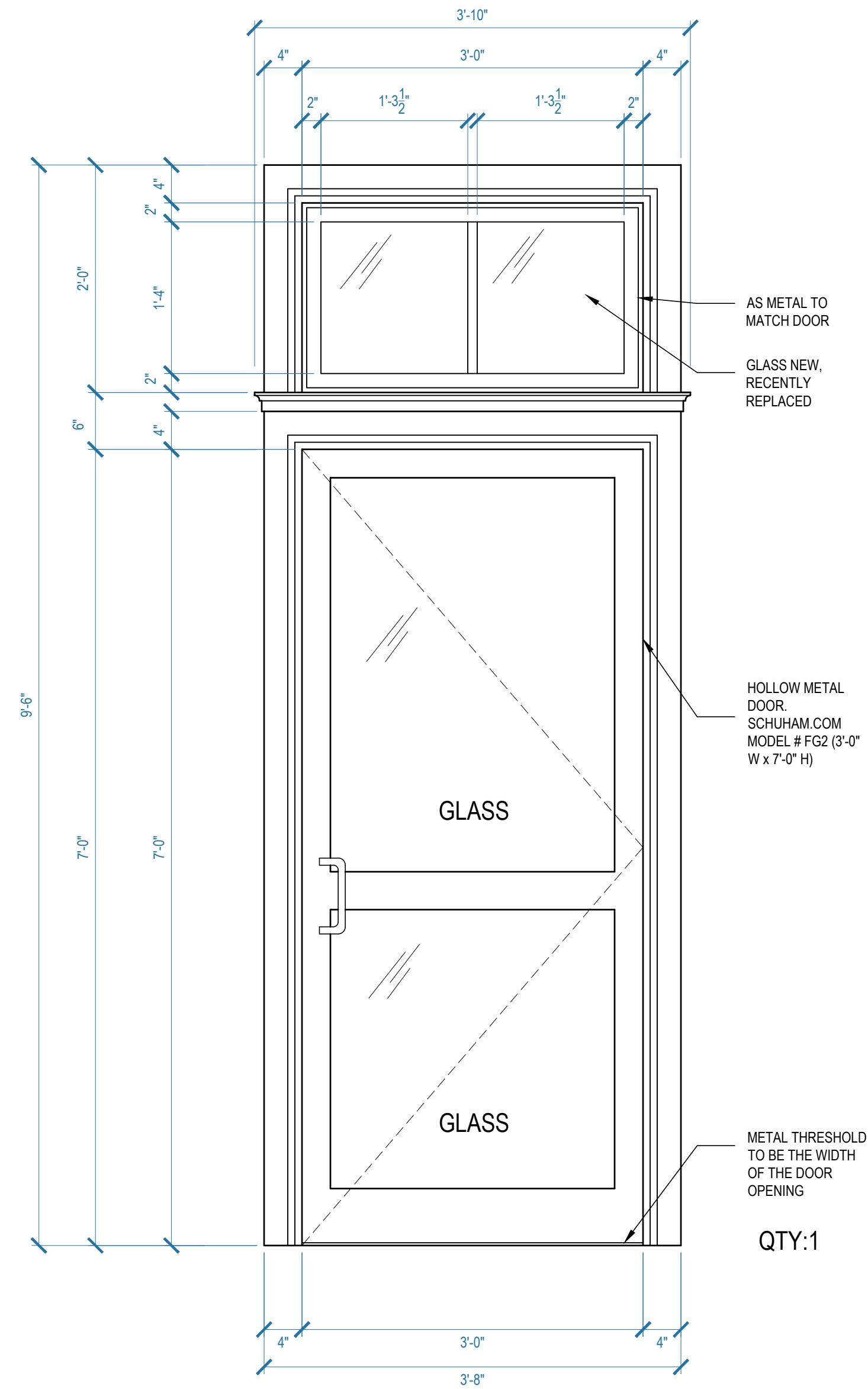
EE SECTION - OFFICE WINDOW  
SCALE: 1 1/2" = 1'-0"



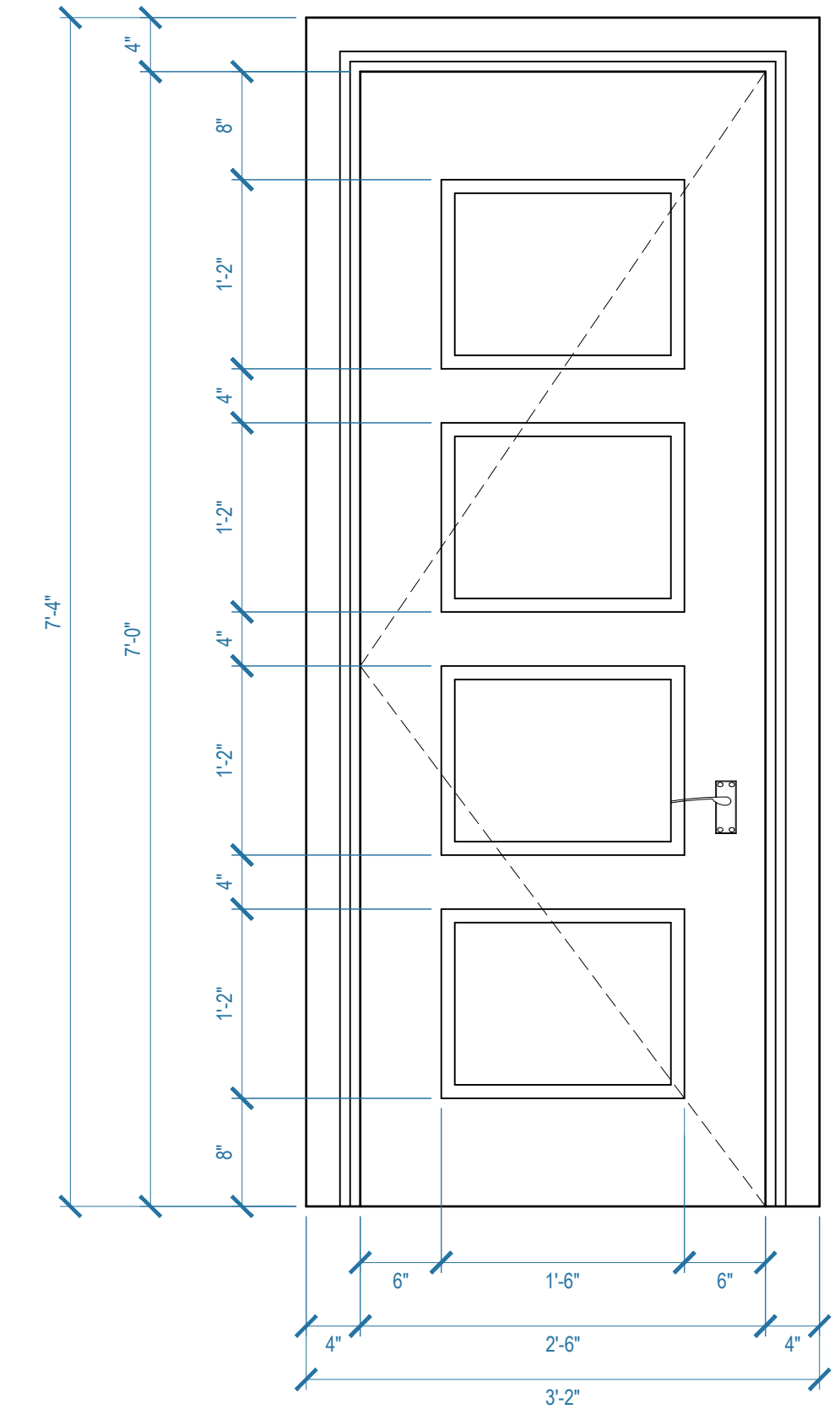
4.0 ELEVATION - DOOR 1  
SCALE: 1" = 1'-0"



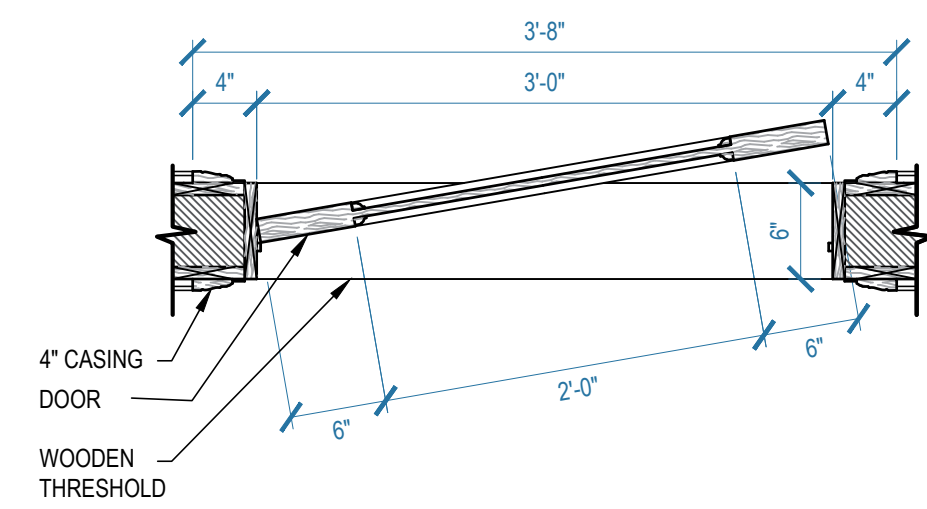
4.1 SECTION - DOOR 1  
SCALE: 1" = 1'-0"



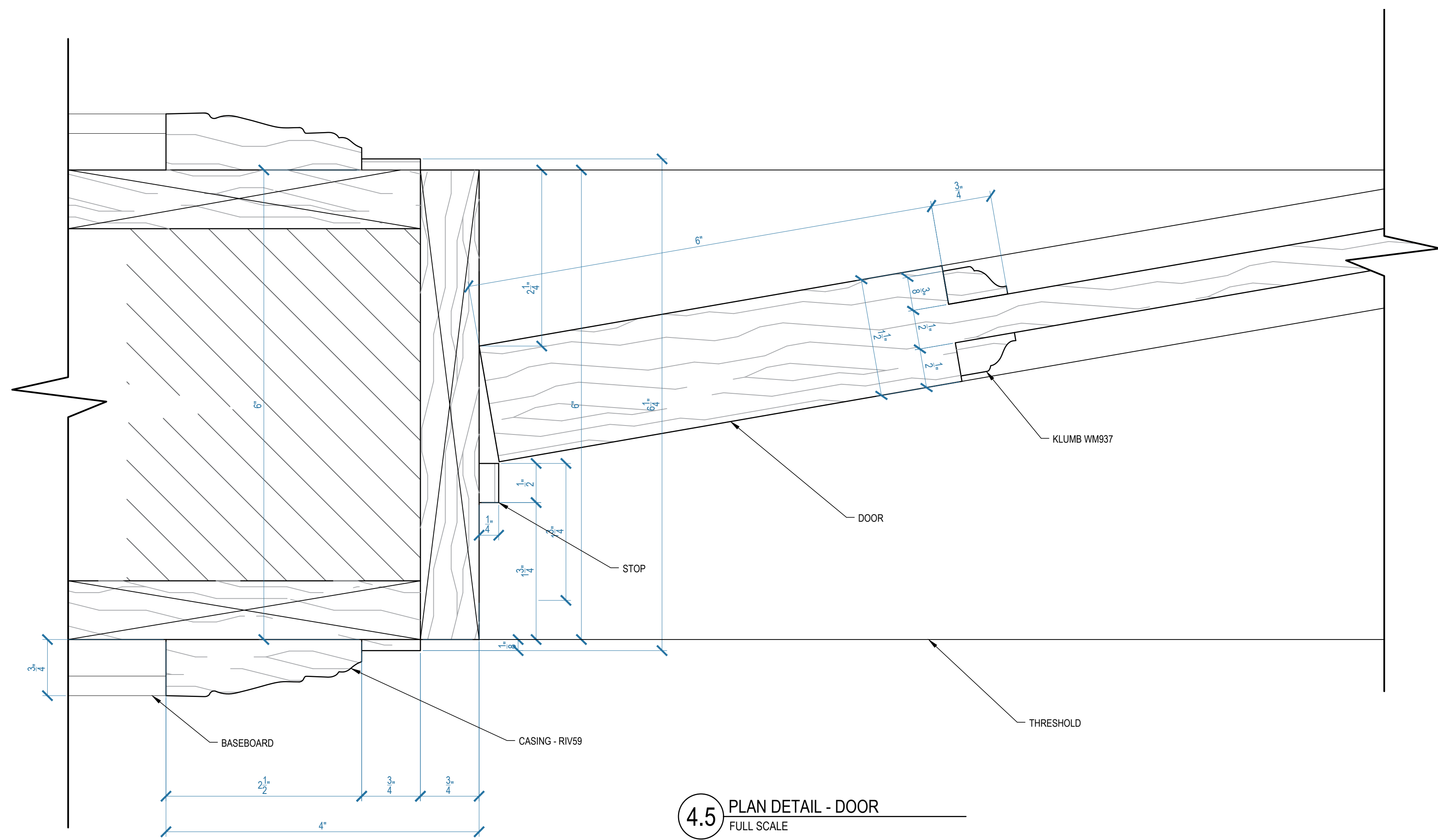
4.3 ELEVATION - DOOR 1  
SCALE: 1" = 1'-0"



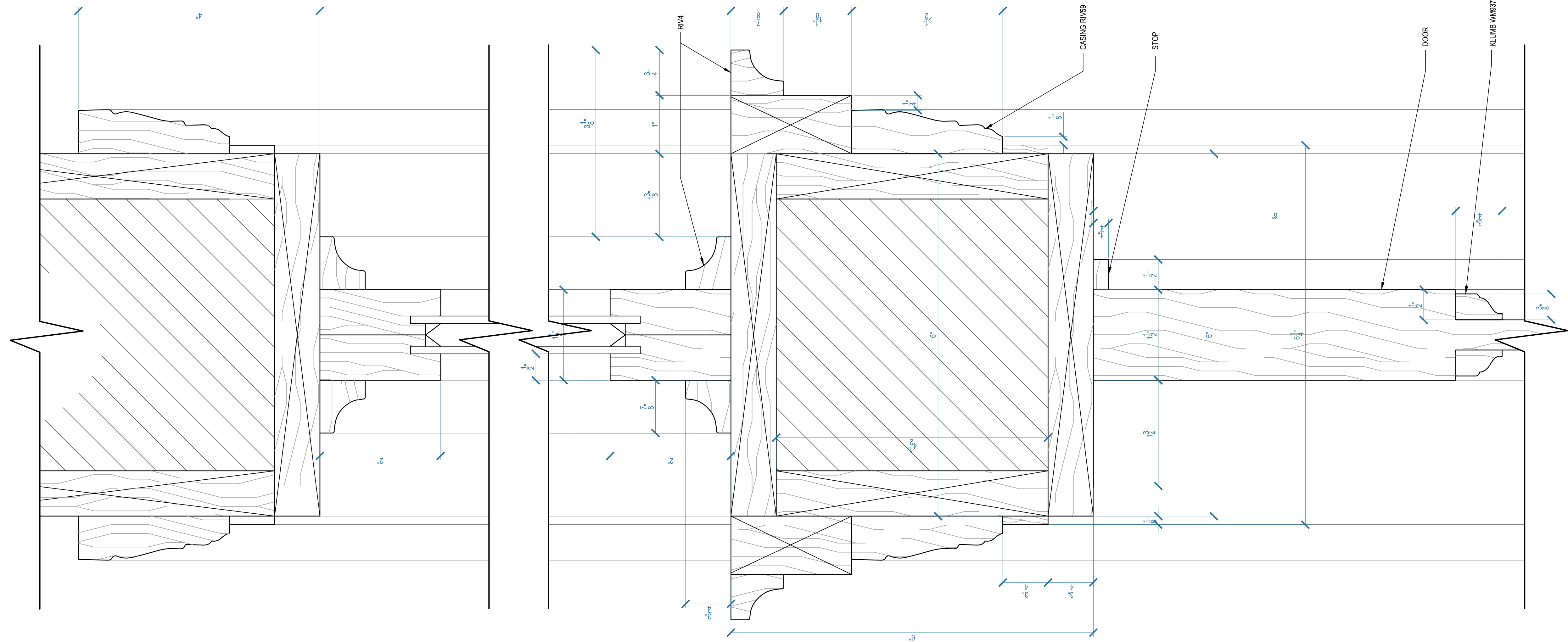
4.4 ELEVATION - DOOR 3  
SCALE: 1" = 1'-0"



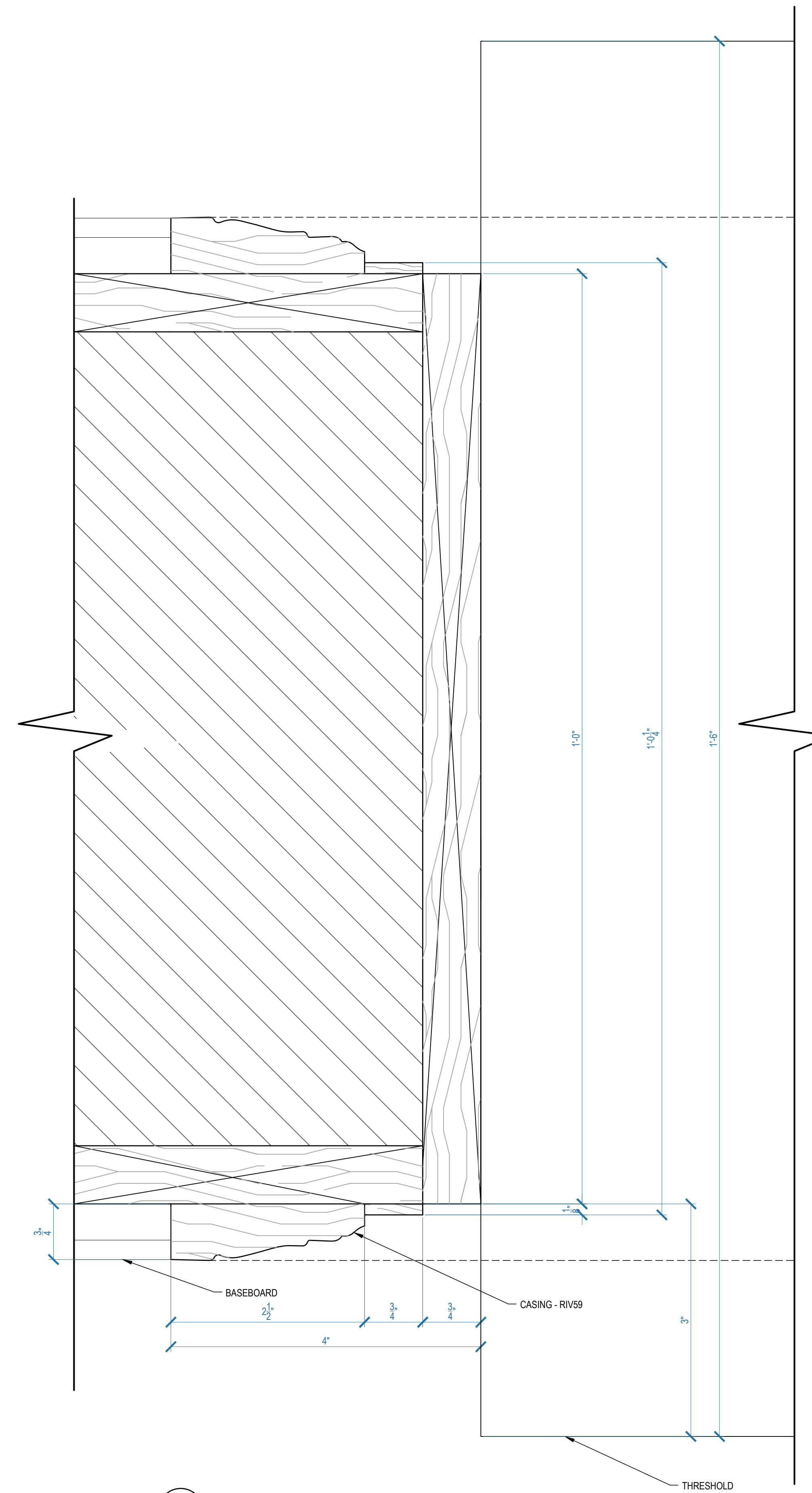
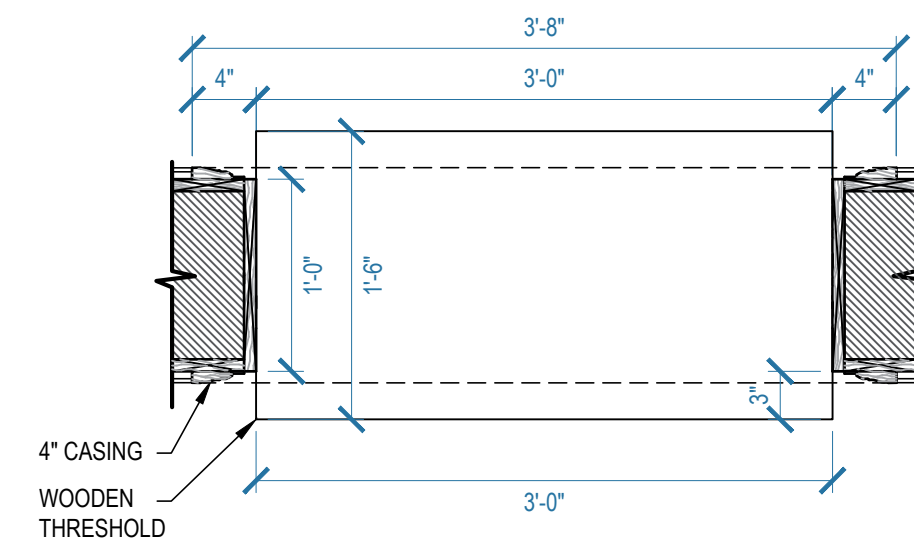
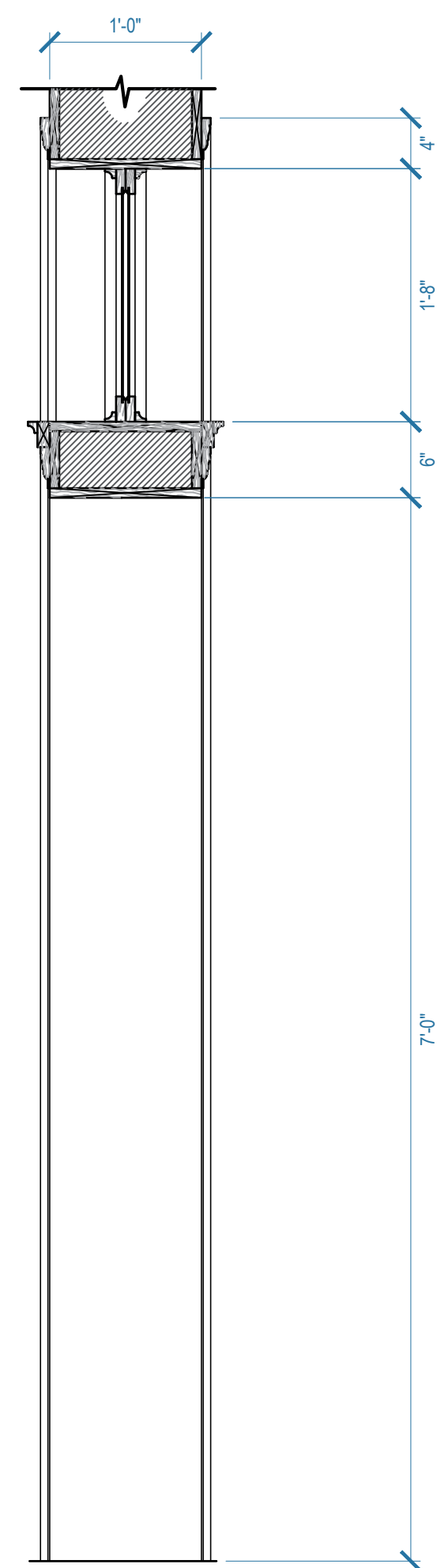
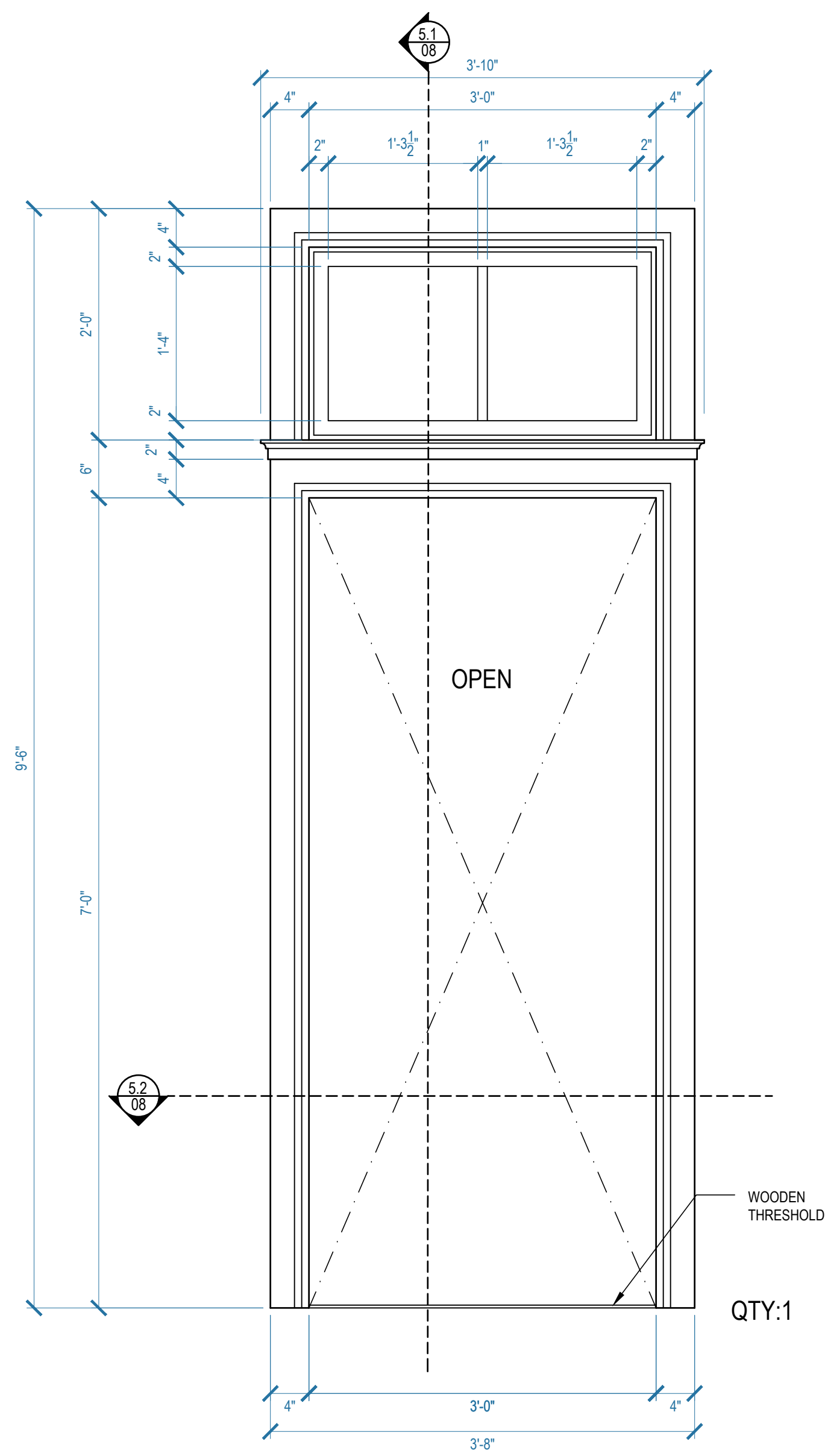
4.2 SCALE: 1" = 1'-0"  
PLAN - DOOR 1



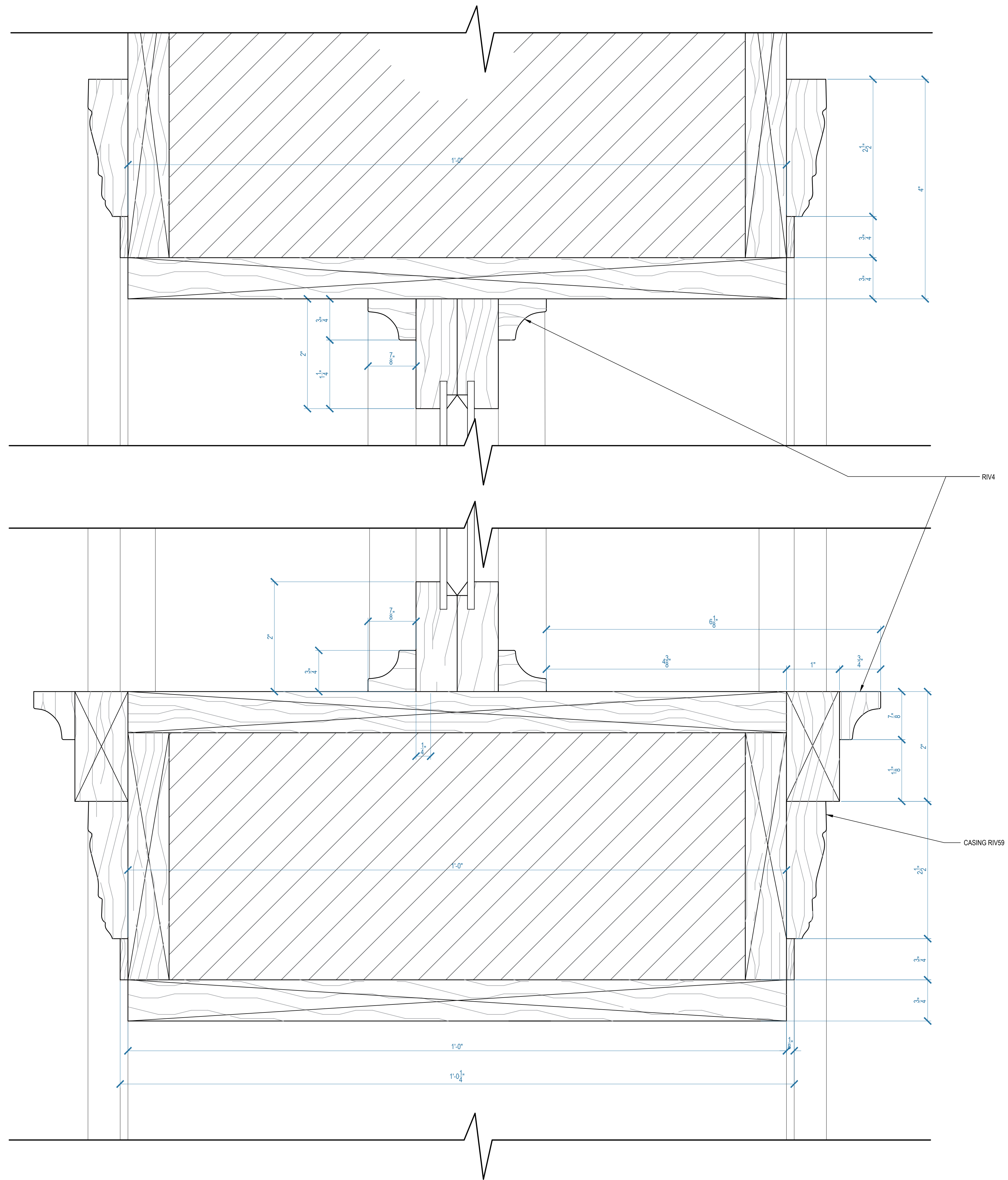
4.5 PLAN DETAIL - DOOR  
FULL SCALE



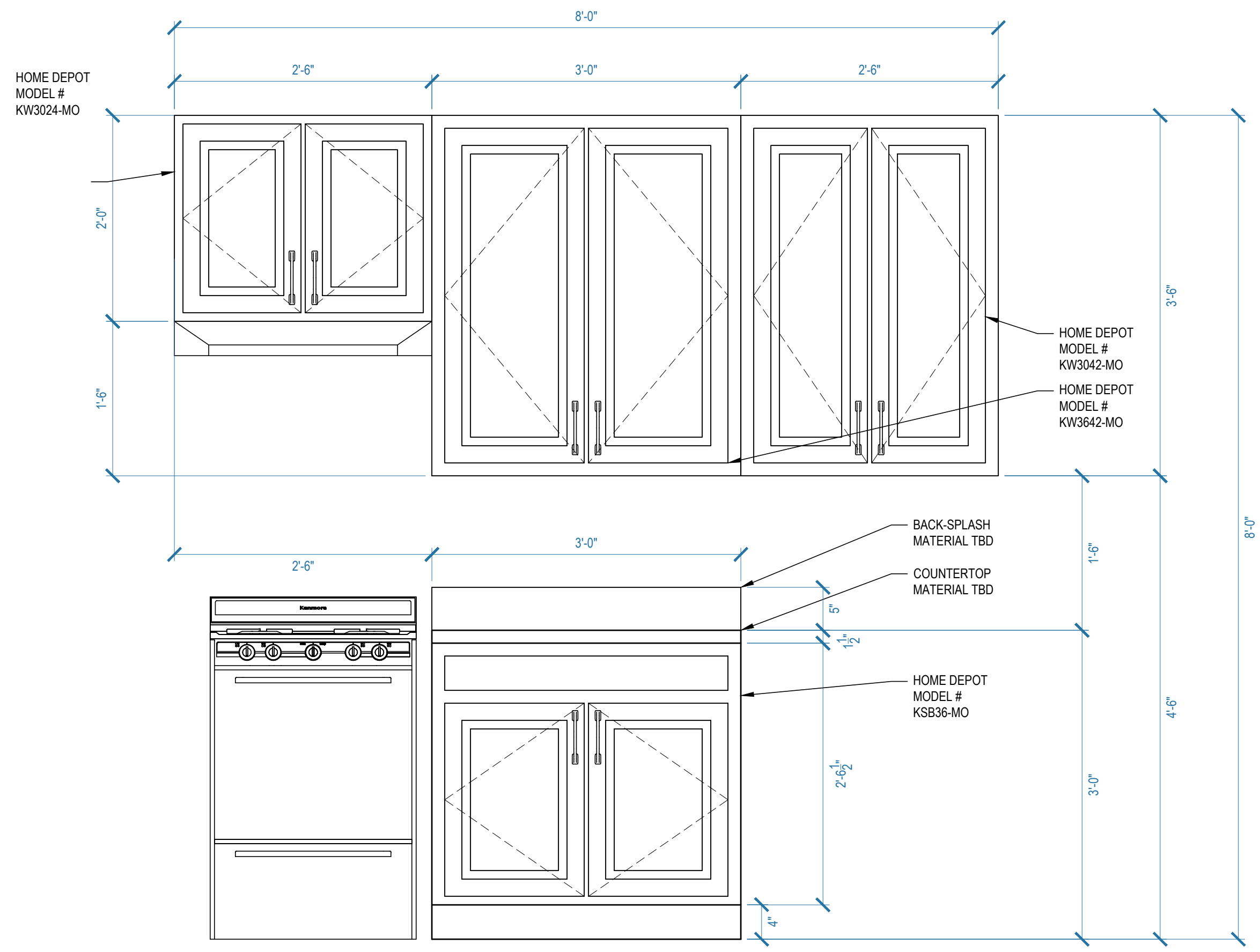
4.6 PLAN DETAIL - DOOR  
FULL SCALE





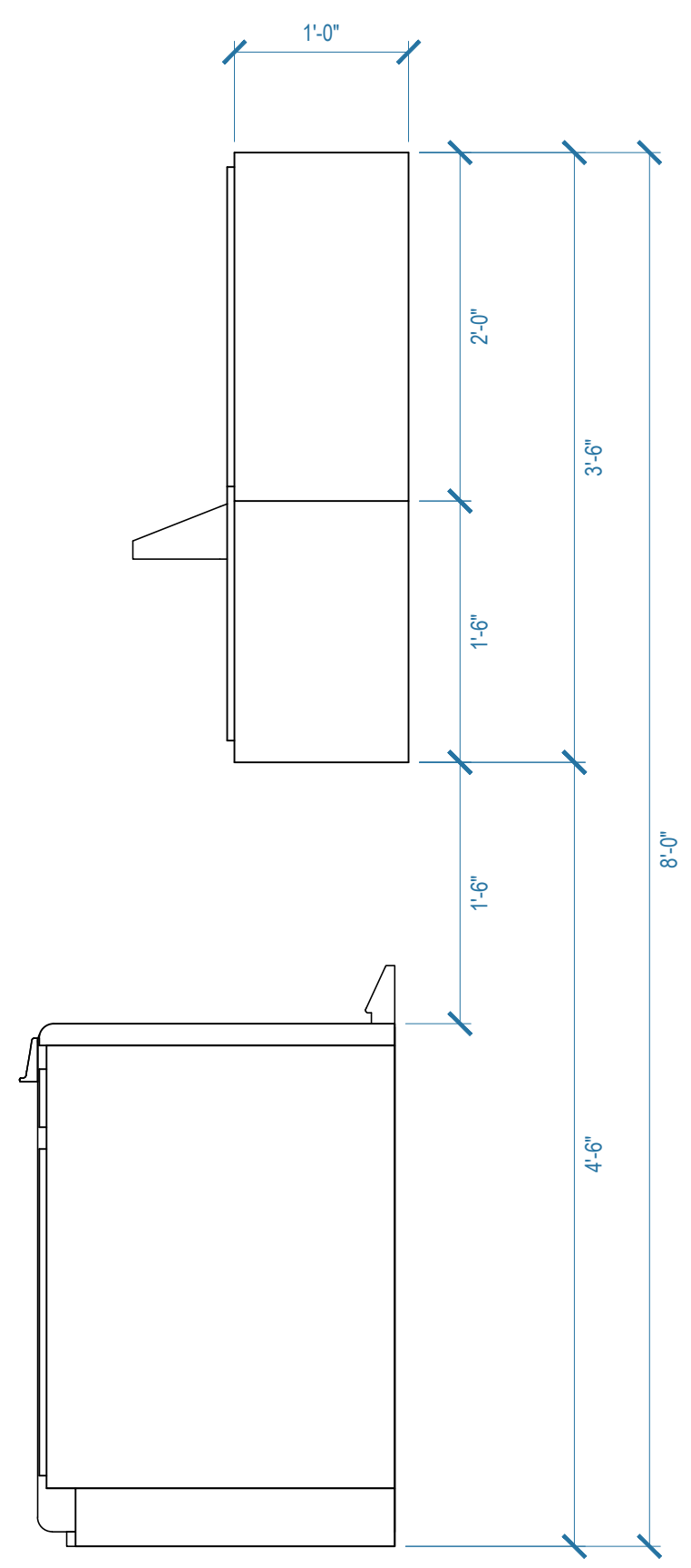


5.4 DETAIL - OPENING  
FULL SCALE

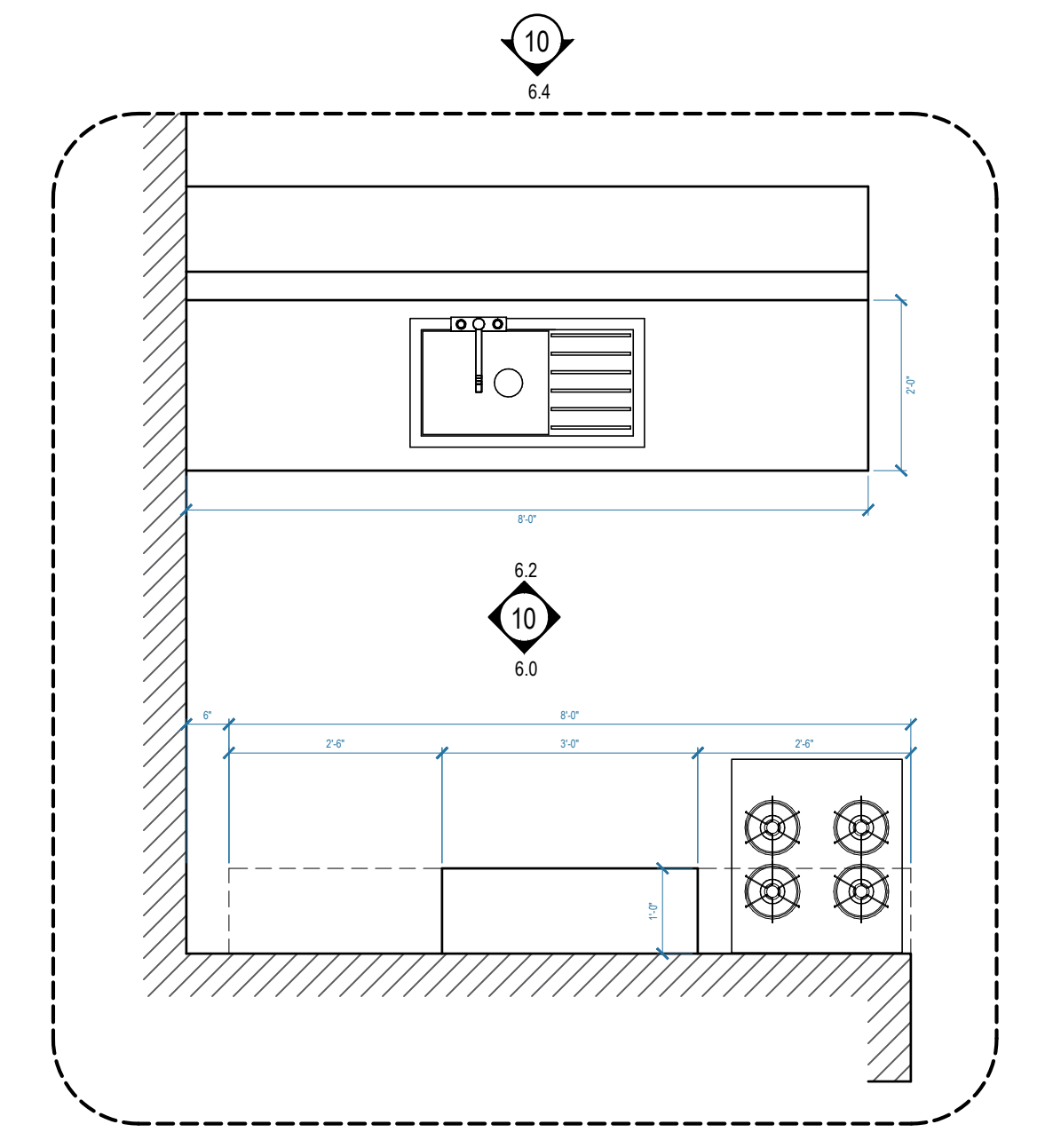


**6.0** ELEVATION - CABINETS  
SCALE: 1" = 1'-0"

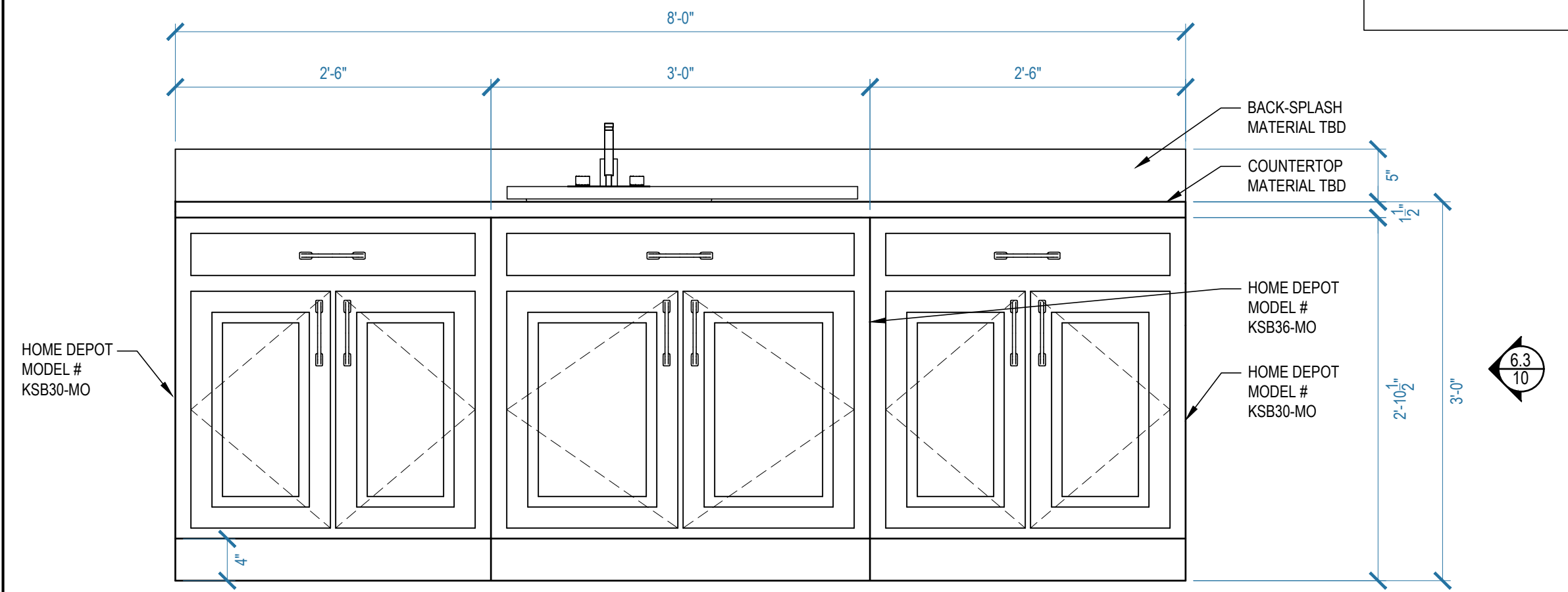
**NOTES:**  
STOVE/OVEN, VENT HOOD  
AND SINKS BY SET DEC  
  
CABINET HARDWARE BY AD  
  
ADD KICK PLATE TO  
CABINETS



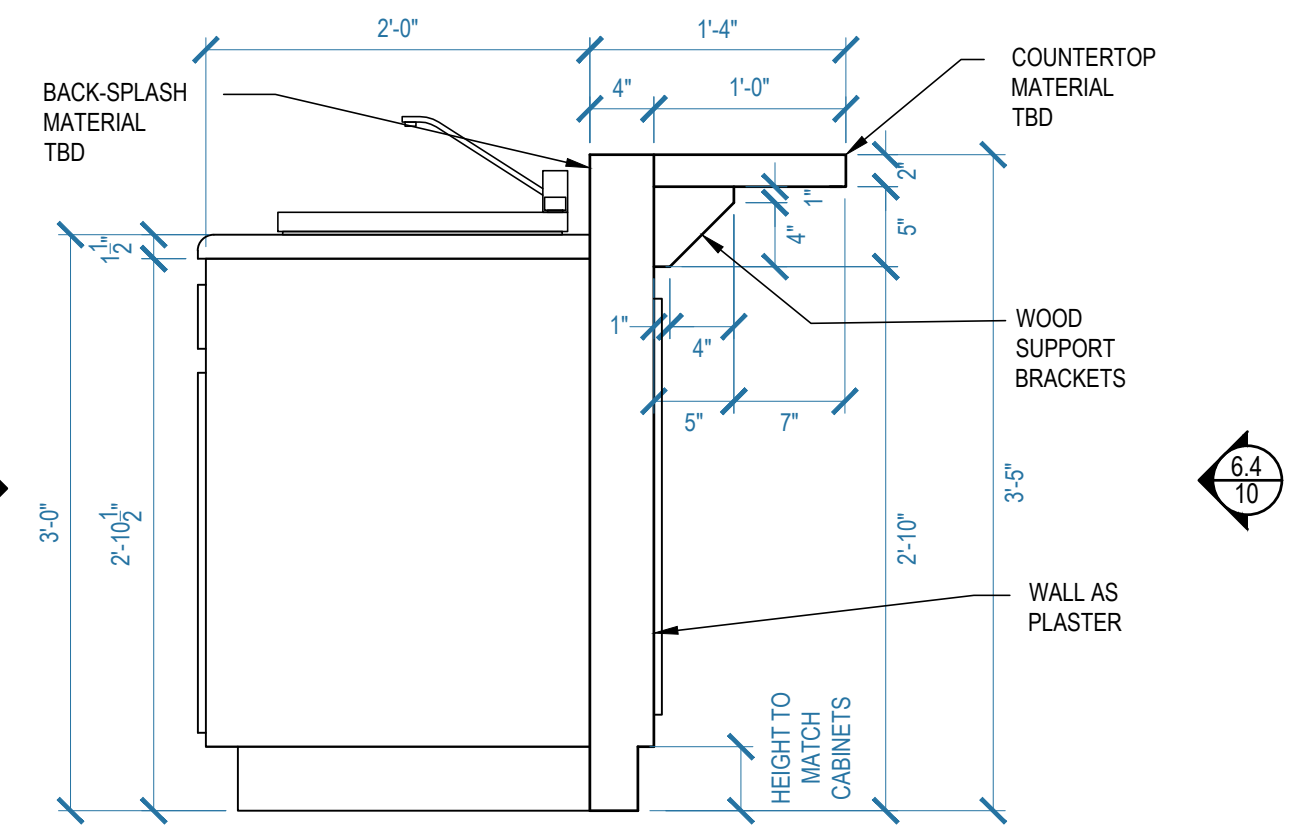
**6.1** ELEVATION - CABINETS  
SCALE: 1" = 1'-0"



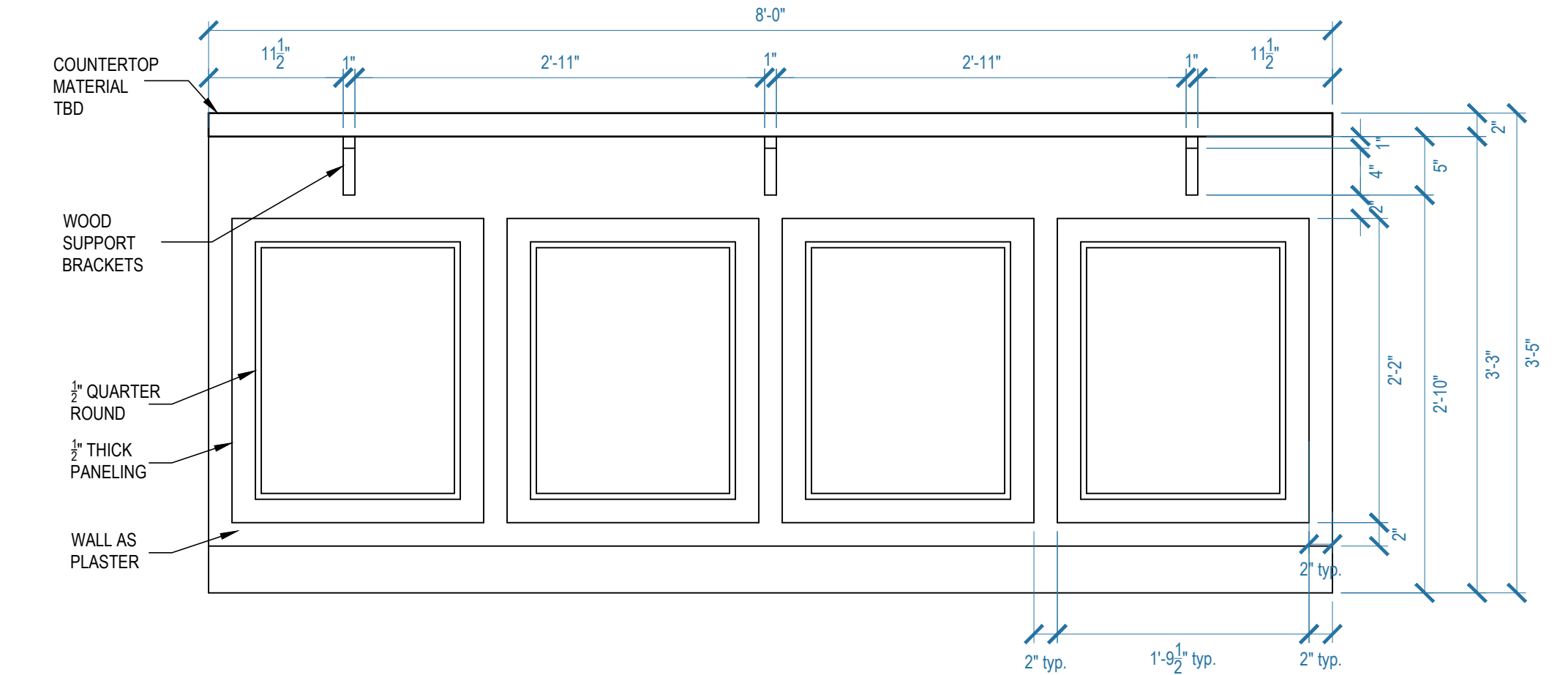
**6.5** REFERENCE PLAN  
SCALE: 1/2" = 1'-0"



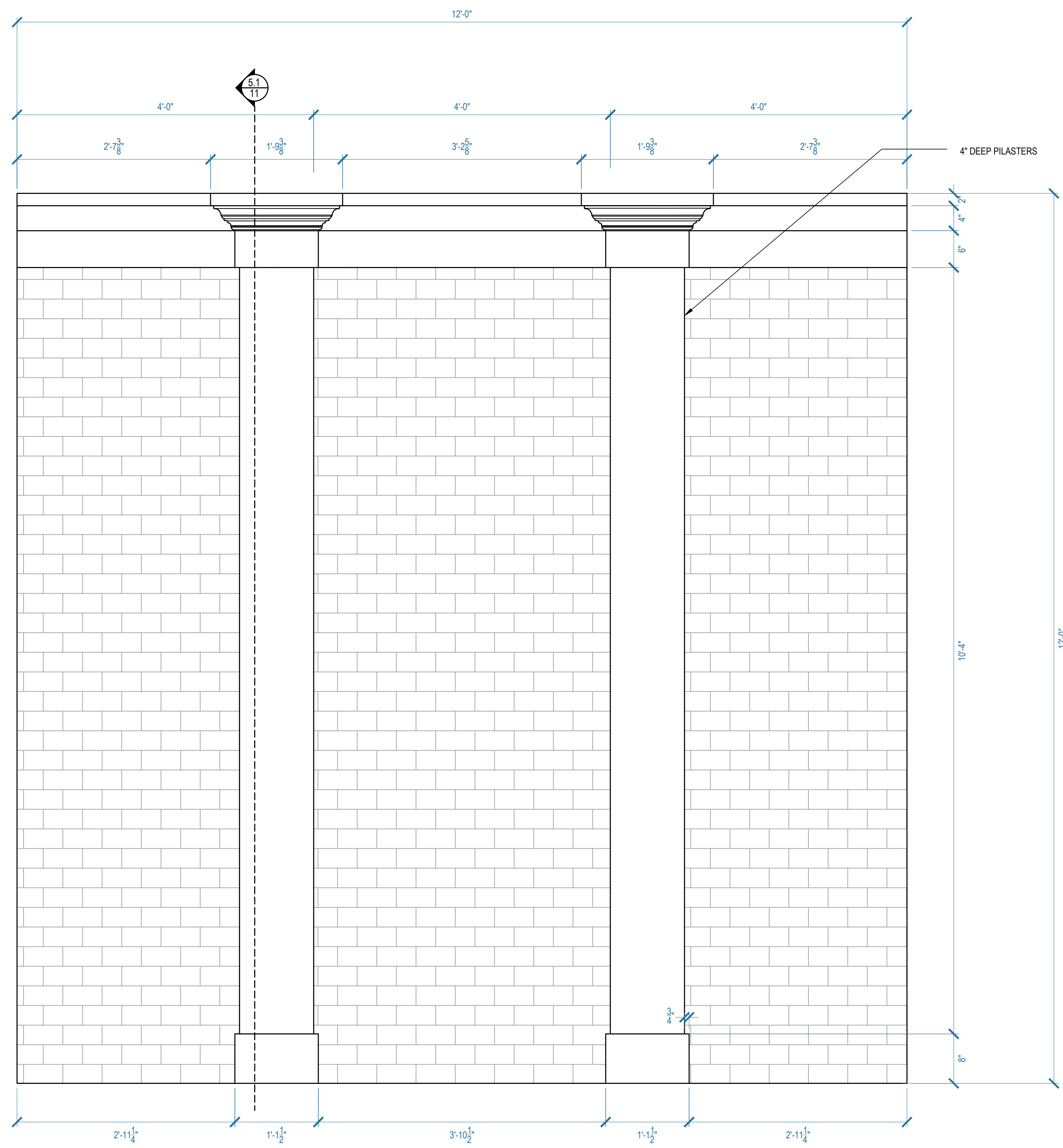
**6.2** ELEVATION - CABINETS  
SCALE: 1" = 1'-0"



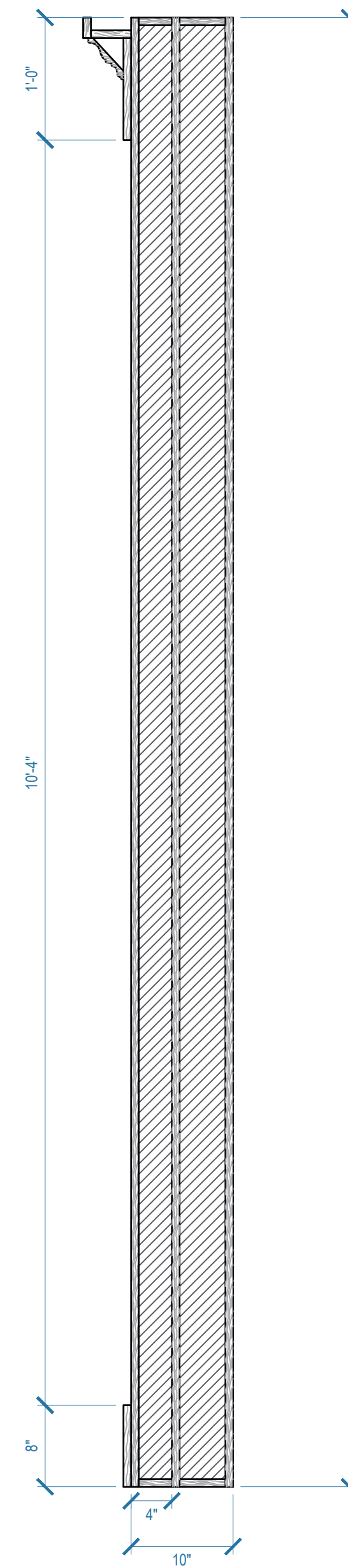
**6.3** ELEVATION - CABINETS  
SCALE: 1" = 1'-0"



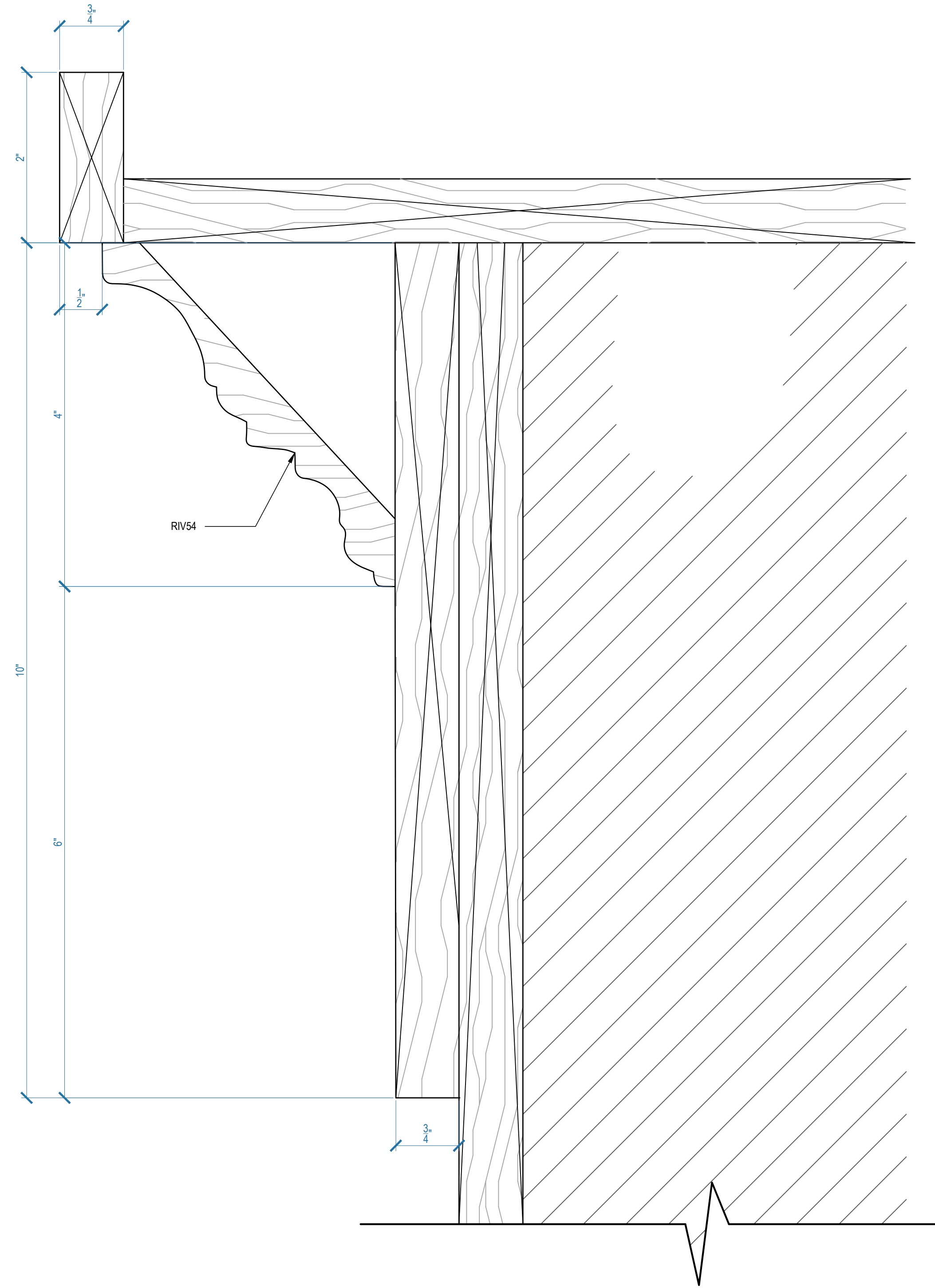
**6.4** ELEVATION - KITCHEN COUNTER  
SCALE: 1" = 1'-0"



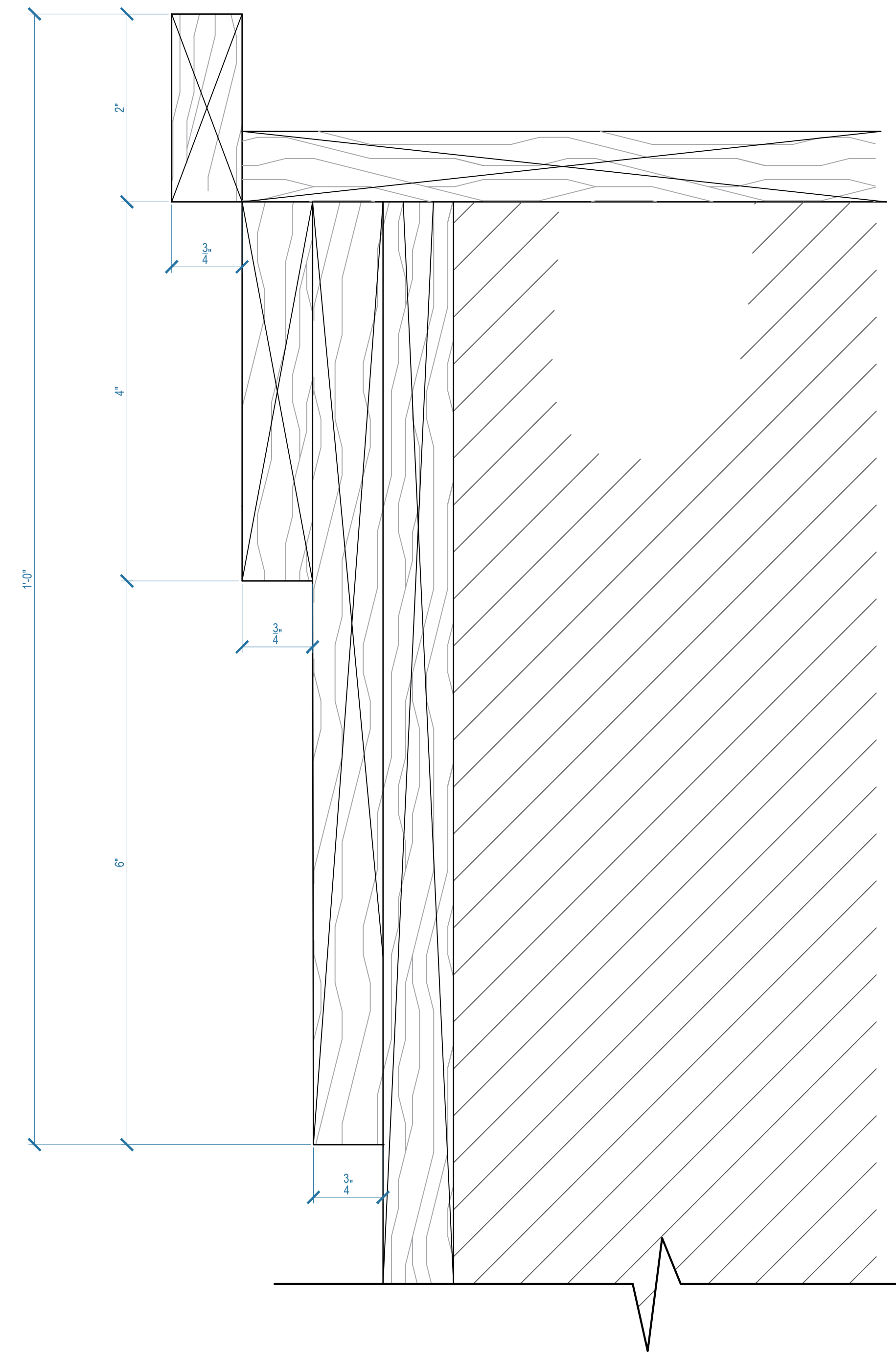
**T** ELEVATION - WALL  
SCALE: 1" = 1'-0"



**2.0** ELEVATION - WALL  
SCALE: 1" = 1'-0"



2.1 PILASTER CAP DETAIL  
FULL SCALE



2.2 WALL CAP DETAIL  
FULL SCALE