

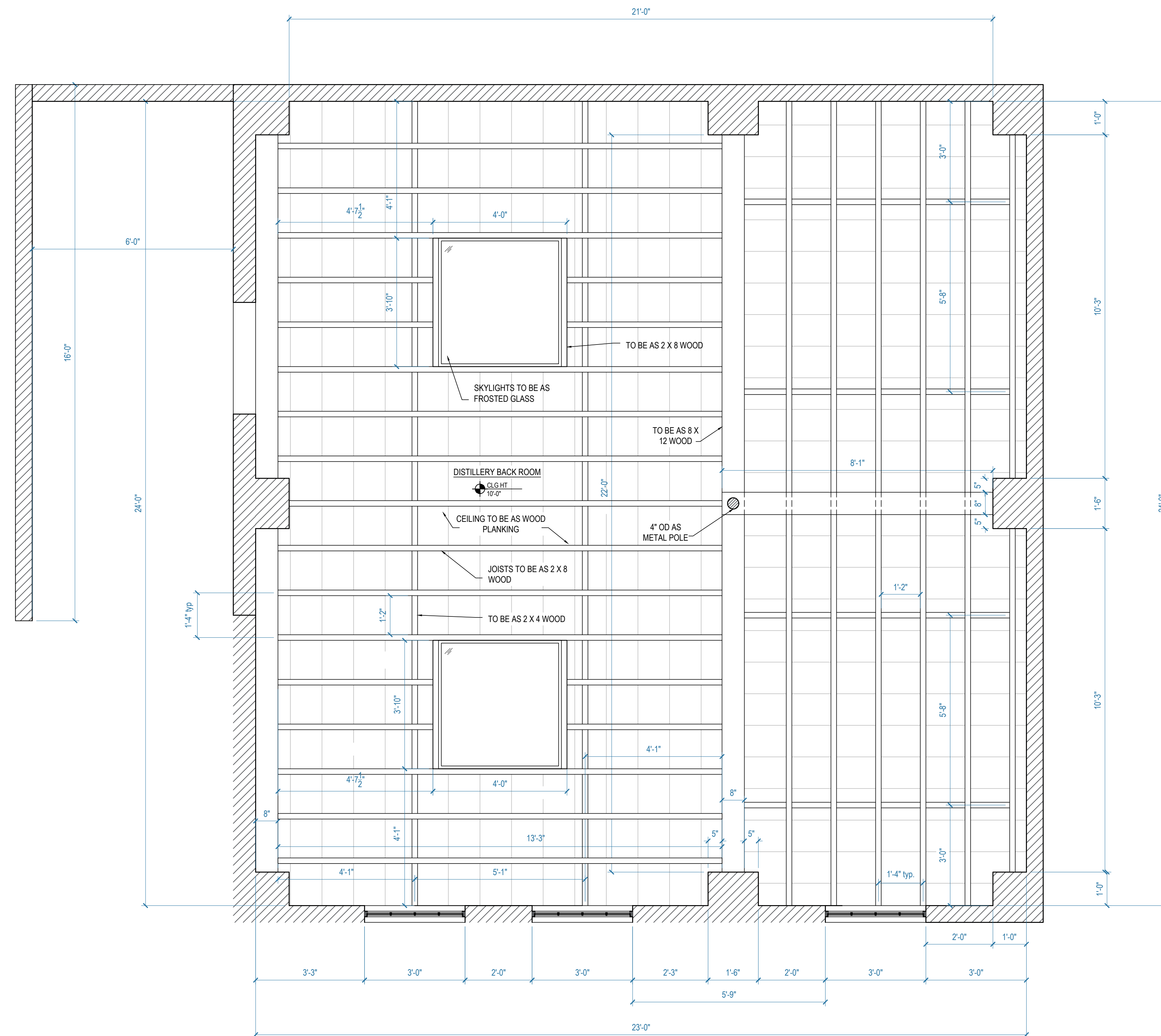
01 PLAN  
INT DISTILLERY BACK ROOM SCALE: 1/2" = 1'-0"

CONCEPT IMAGES



NOTE: SEE A.D. FOR COLORS AND FINISHES

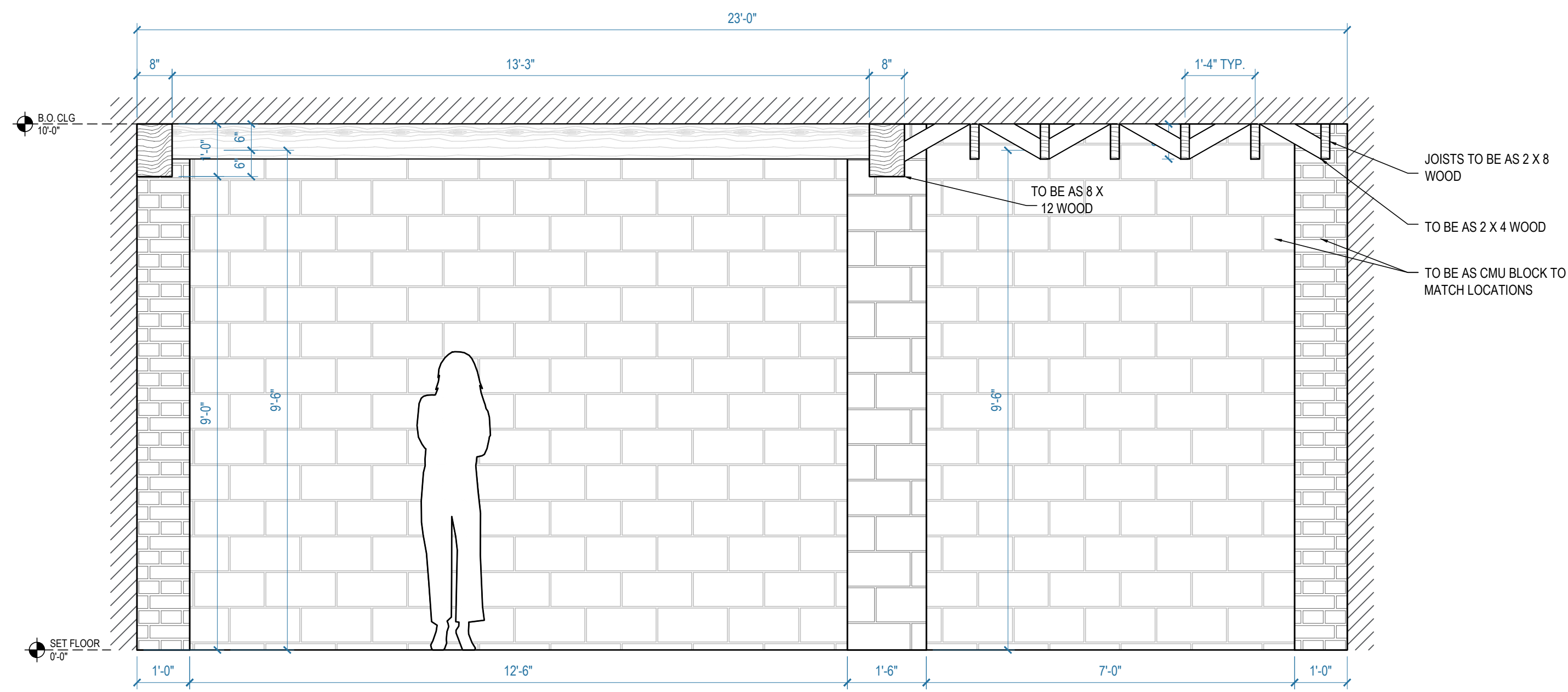
<b>QUEEN OF THE SOUTH</b>	SET TITLE: INT DISTILLERY BACK ROOM	
	DESCRIPTION: PLAN	
	LOCATION: STARIGHT STUDIOS - STAGE 1	
	SCALE: 1/2" = 1'-0"	
	DRAWN BY: SP	SET # 49913
DATE: 02.28.2019	SHEET #	
PRODUCTION DESIGNER: RYAN PALMER ART DIRECTOR: CHRIS CRAINE	REVISED ON: 04.01.2019	01 of 09
	REVISED ON:	



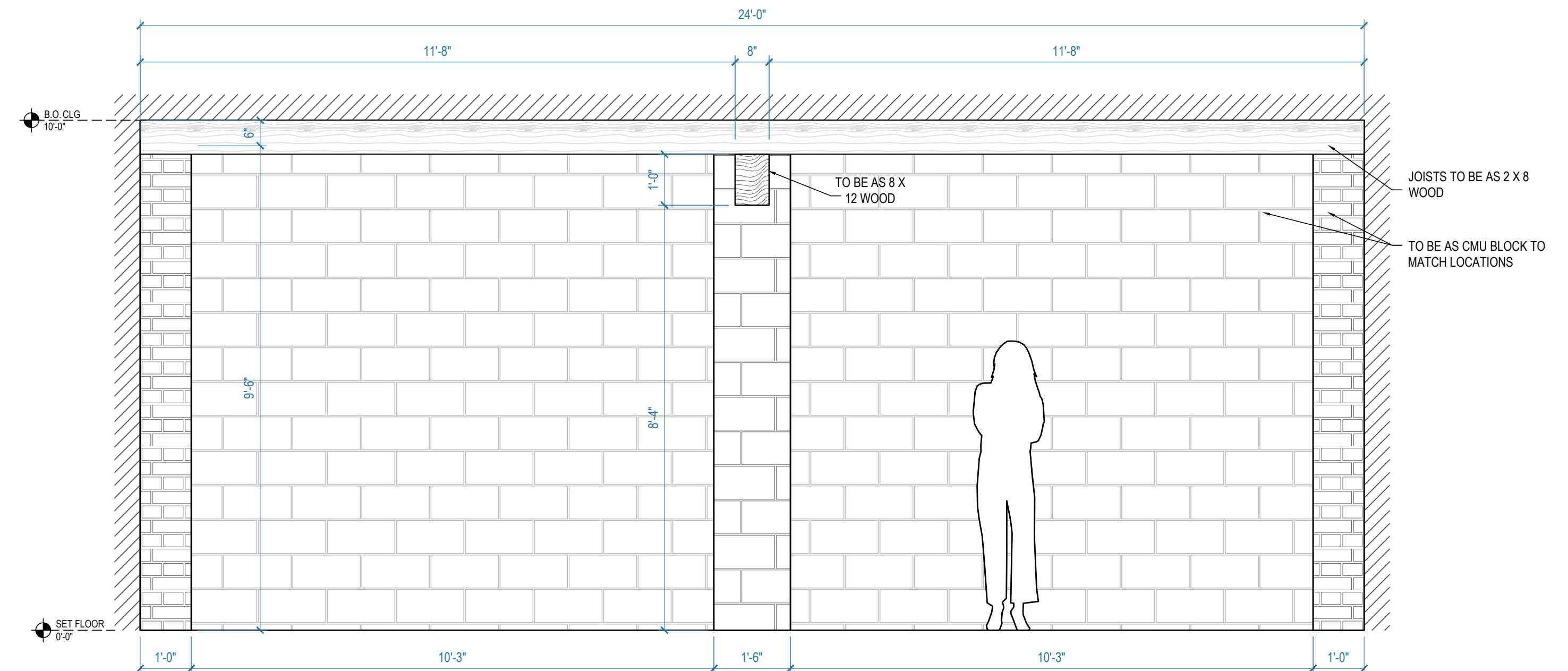
02 REFLECTED CEILING PLAN  
INT DISTILLERY BACK ROOM SCALE: 1/2" = 1'-0"

NOTE: SEE A.D. FOR COLORS AND FINISHES

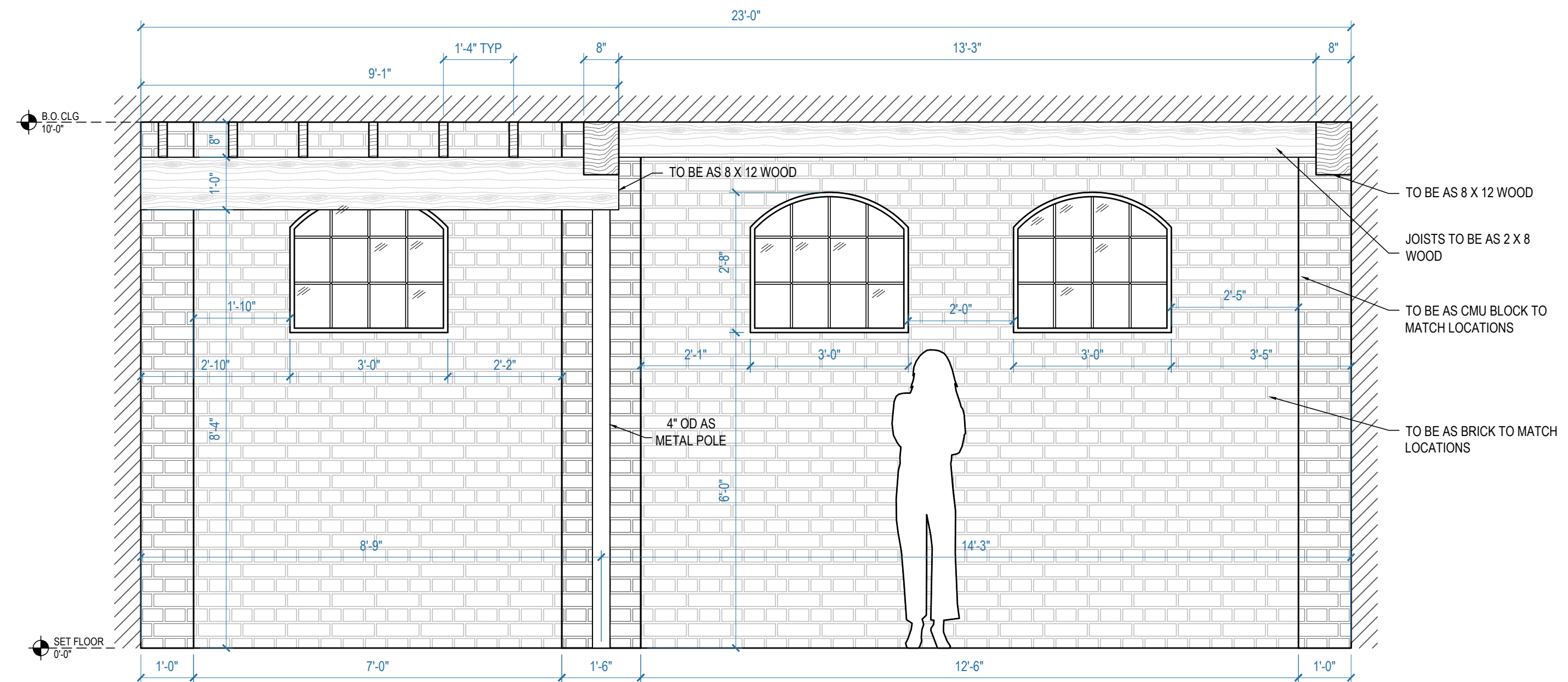
<b>QUEEN OF THE SOUTH</b>		SET TITLE: INT DISTILLERY BACK ROOM	
		DESCRIPTION: REFLECTED CEILING PLAN	
		LOCATION: STARIGHT STUDIOS - STAGE 1	
		SCALE: 1/2" = 1'-0"	
		DRAWN BY: SP	SET # 49913
		DATE: 02.28.2019	SHEET #
PRODUCTION DESIGNER: RYAN PALMER ART DIRECTOR: CHRIS CRAINE		REVISED ON: 03.06.2019	02 of 09
		REVISED ON: 04.01.2019	



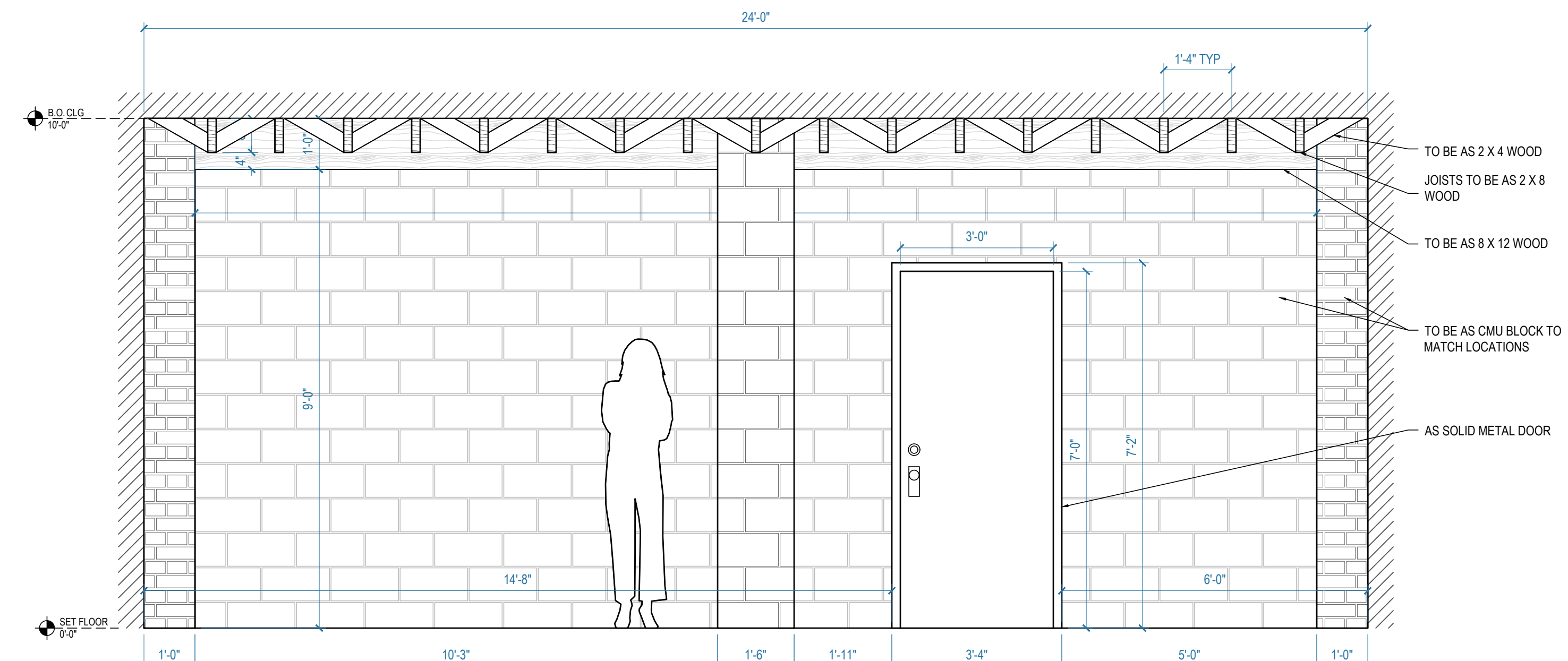
**A** ELEVATION  
INT DISTILLERY BACK ROOM SCALE: 1/2" = 1'-0"



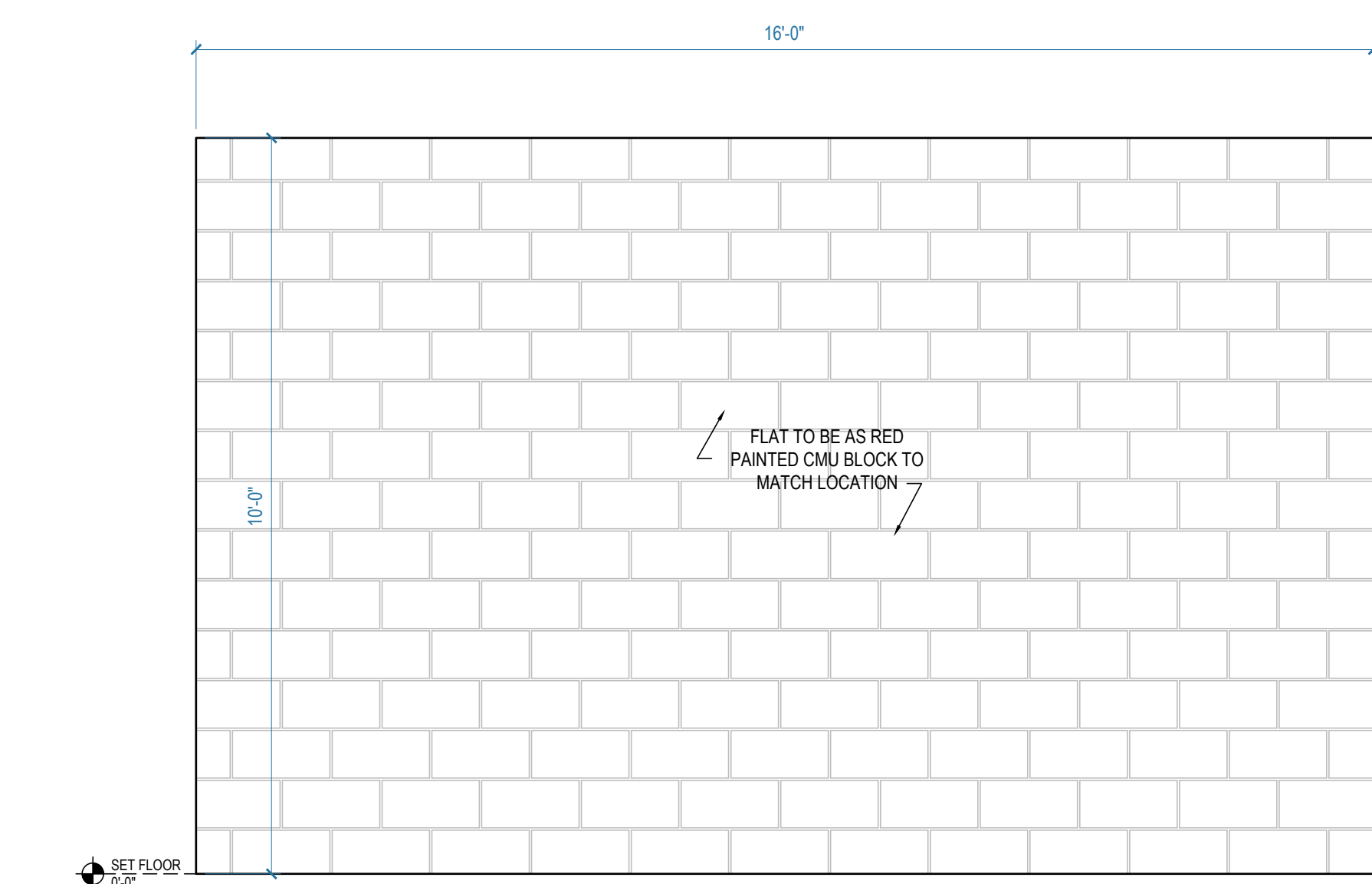
**B** ELEVATION  
INT DISTILLERY BACK ROOM SCALE: 1/2" = 1'-0"



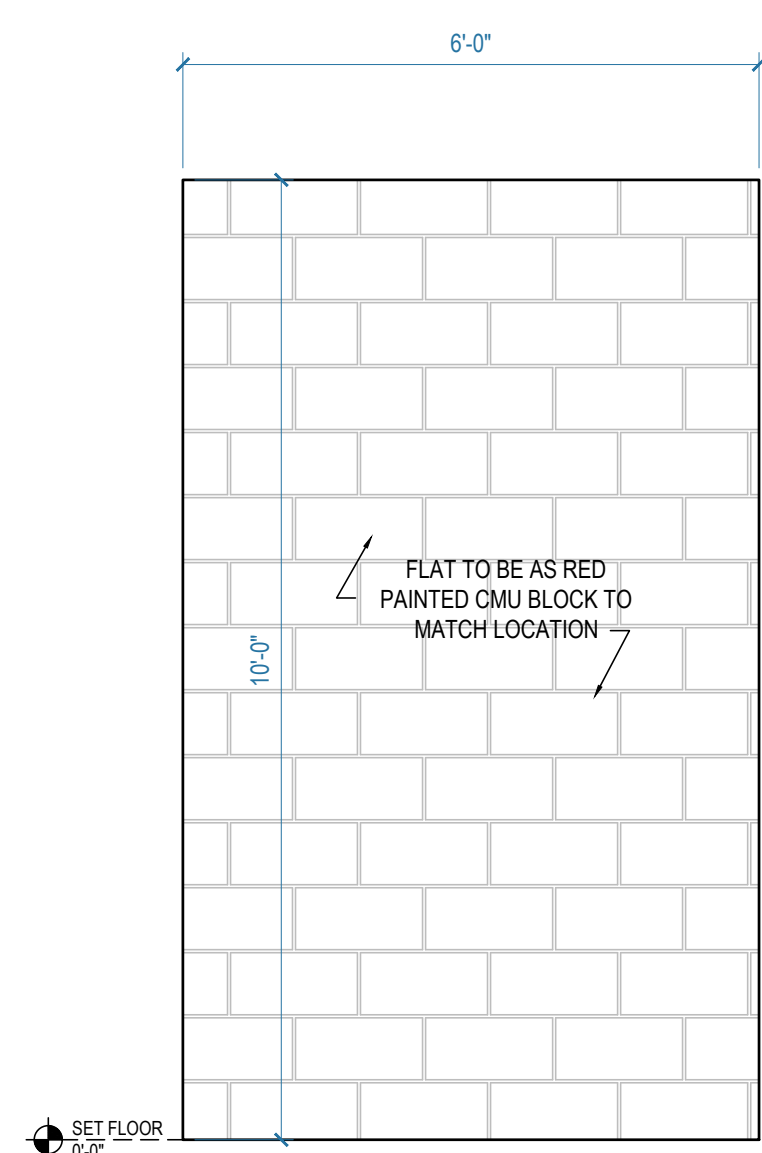
**C** ELEVATION  
INT DISTILLERY BACK ROOM SCALE: 1/2" = 1'-0"



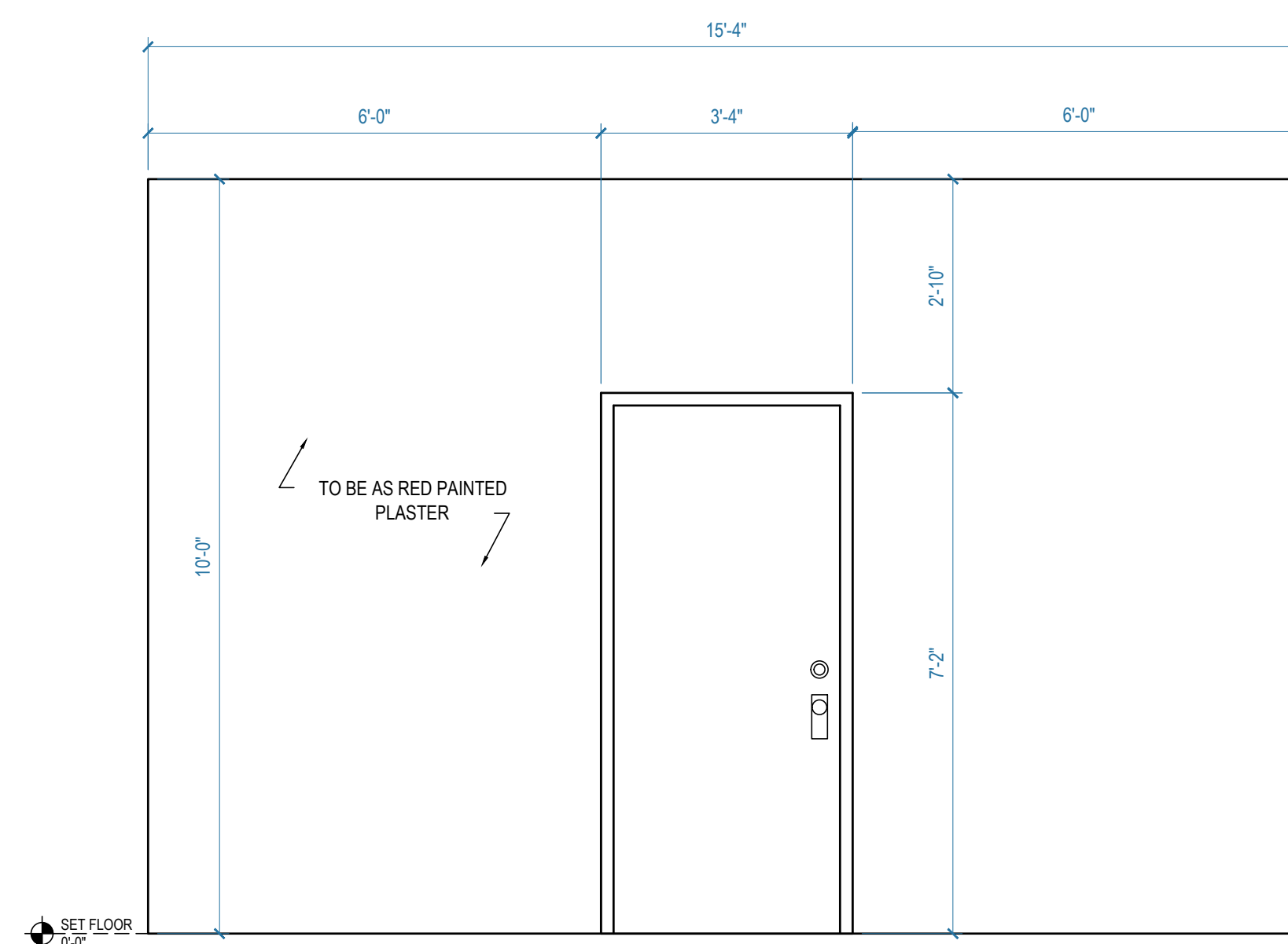
**D** ELEVATION  
INT DISTILLERY BACK ROOM SCALE: 1/2" = 1'-0"



**E** FLAT ELEVATION  
INT DISTILLERY BACK ROOM SCALE: 1/2" = 1'-0"



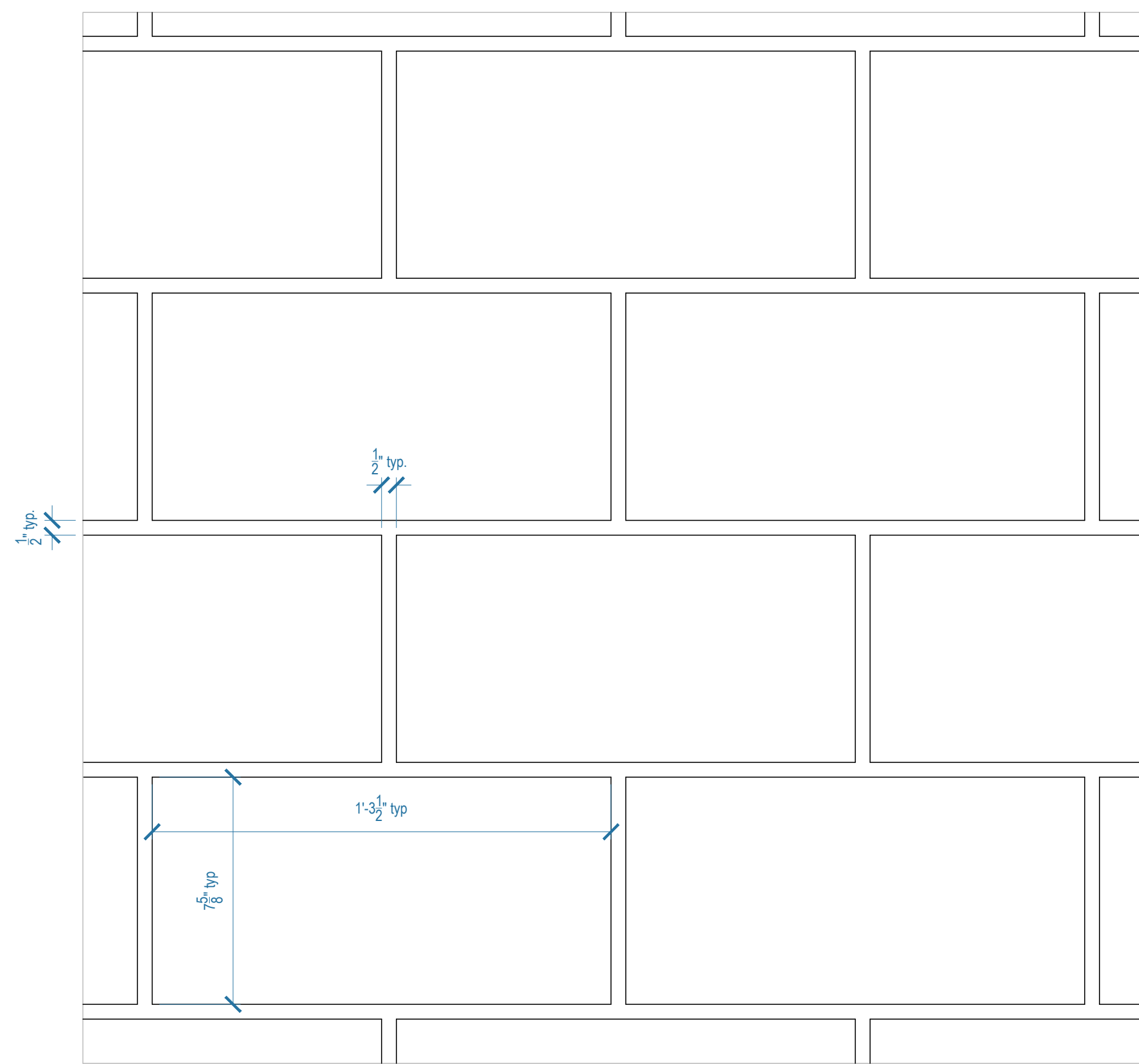
**F** FLAT ELEVATION  
INT DISTILLERY BACK ROOM SCALE: 1/2" = 1'-0"



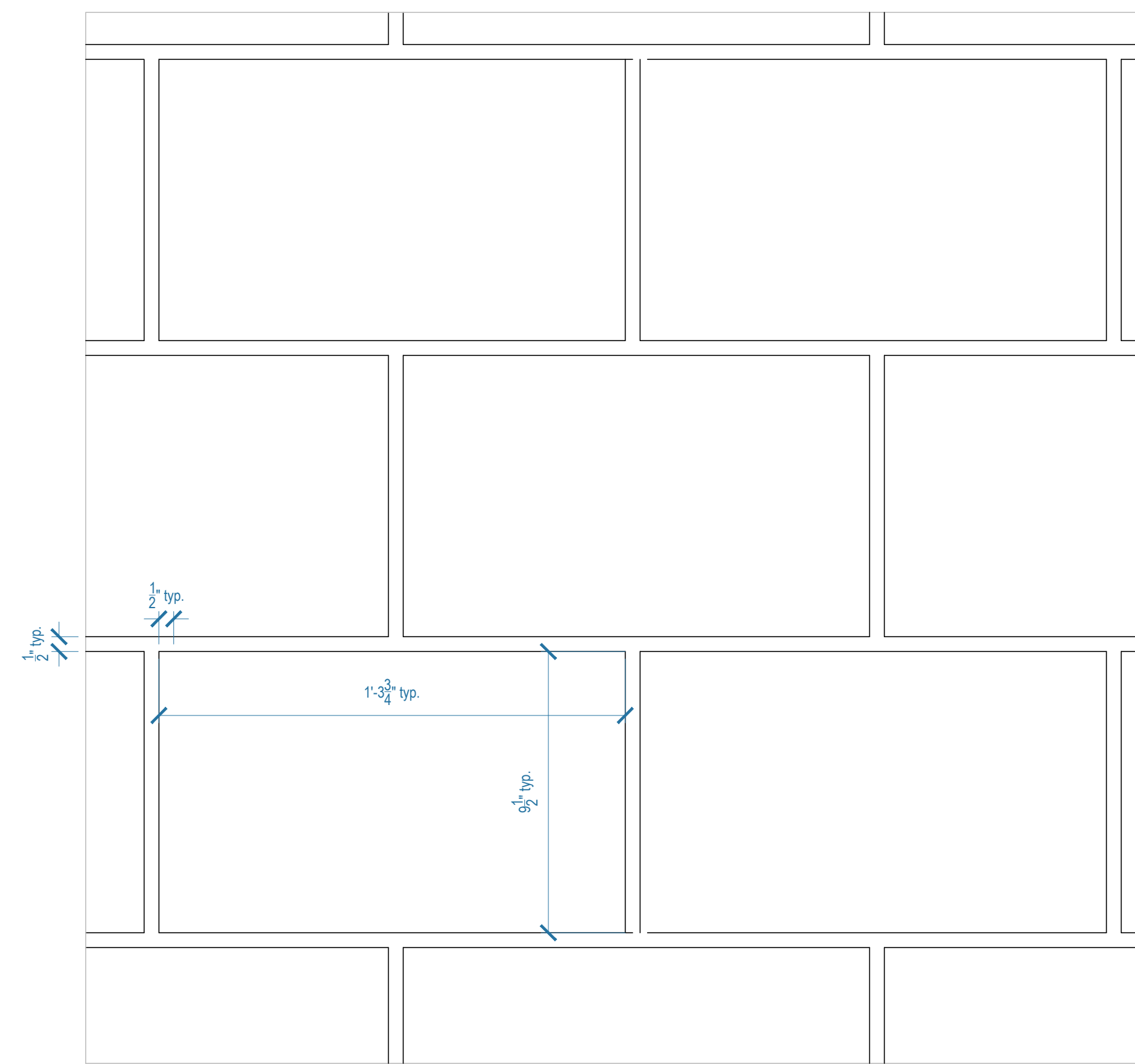
**G** ELEVATION  
INT DISTILLERY BACK ROOM SCALE: 1/2" = 1'-0"

NOTE: SEE A.D. FOR COLORS AND FINISHES

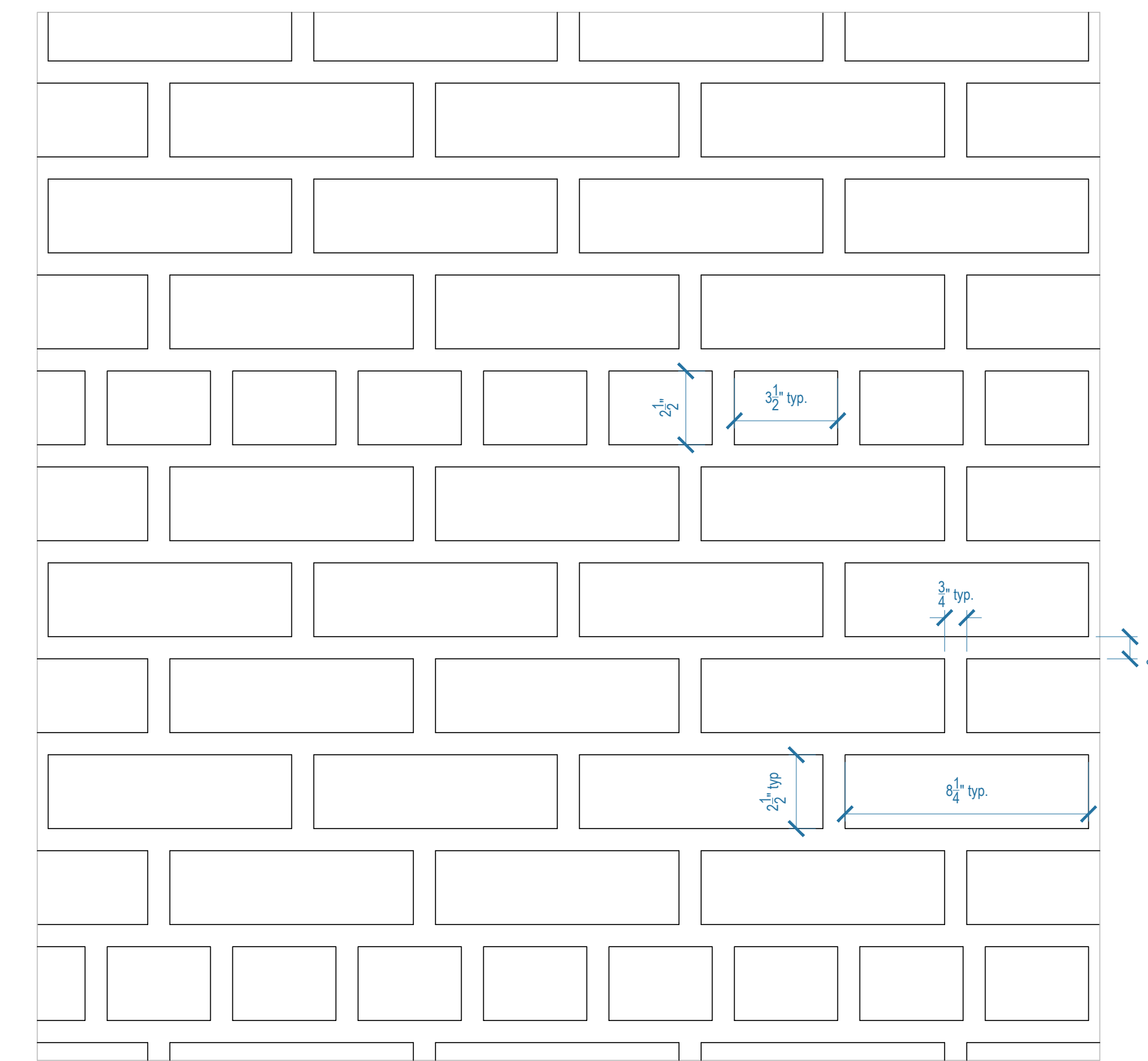
<b>QUEEN OF THE SOUTH</b>	SET TITLE: INT DISTILLERY BACK ROOM	
	DESCRIPTION: ELEVATIONS	
	LOCATION: STARIGHT STUDIOS - STAGE 1	
	SCALE: 1/2" = 1'-0"	
	DRAWN BY: SP	SET # 49913
DATE: 02.28.2019	SHEET #	
REVISION: 04.01.2019	03 of 09	
REVISION:		
PRODUCTION DESIGNER: RYAN PALMER ART DIRECTOR: CHRIS CRAINE		



**UNPAINTED CONCRETE BLOCK**  
INT DISTILLERY BACK ROOM SCALE: 3" = 1'-0"

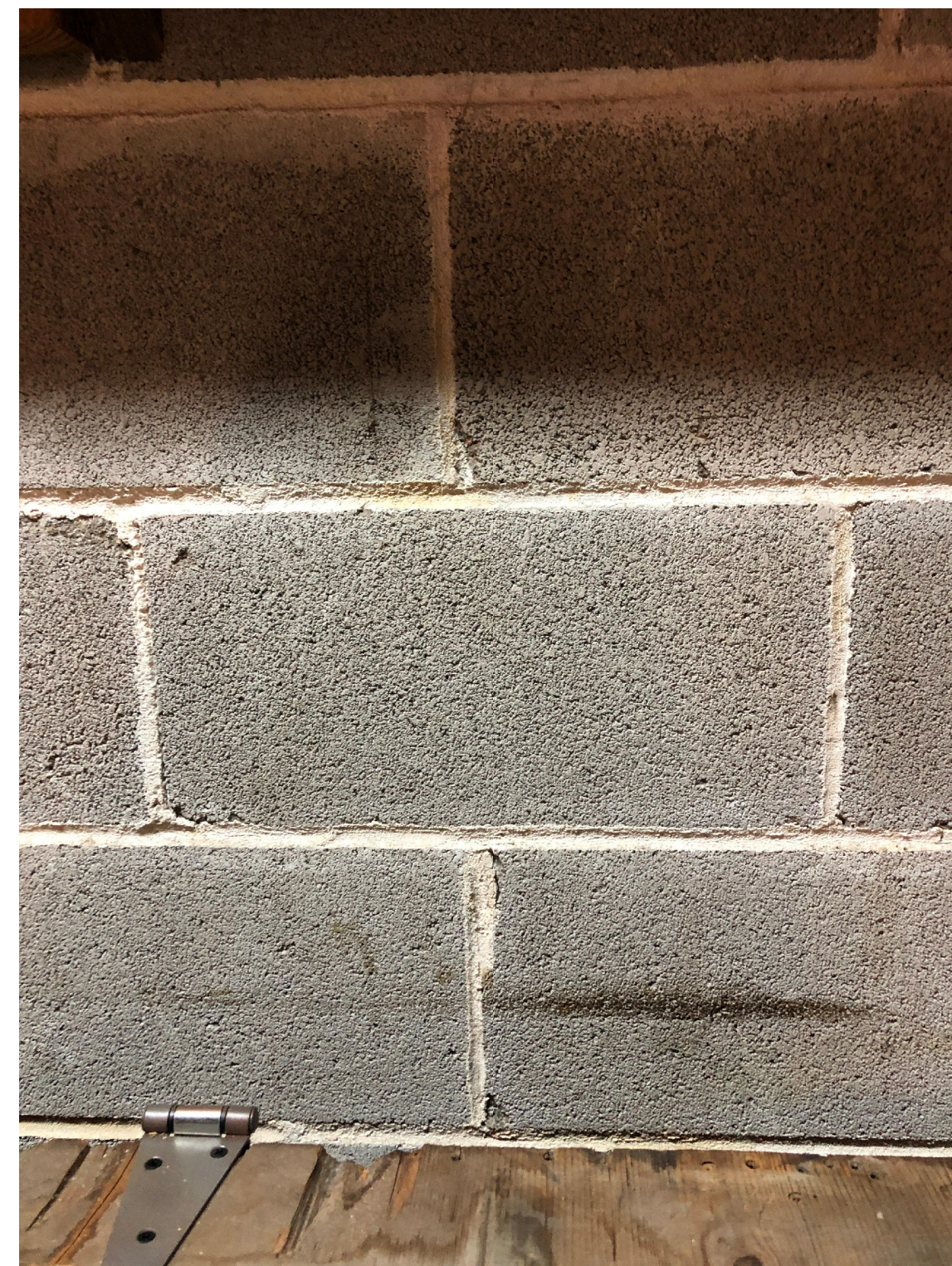


**RED PAINTED CONCRETE BLOCK**  
INT DISTILLERY BACK ROOM SCALE: 3" = 1'-0"



**BRICK**  
INT DISTILLERY BACK ROOM SCALE: 3" = 1'-0"

LOCATION UNPAINTED CONCRETE BLOCK REFERENCE



LOCATION RED PAINTED CONCRETE BLOCK REFERENCE

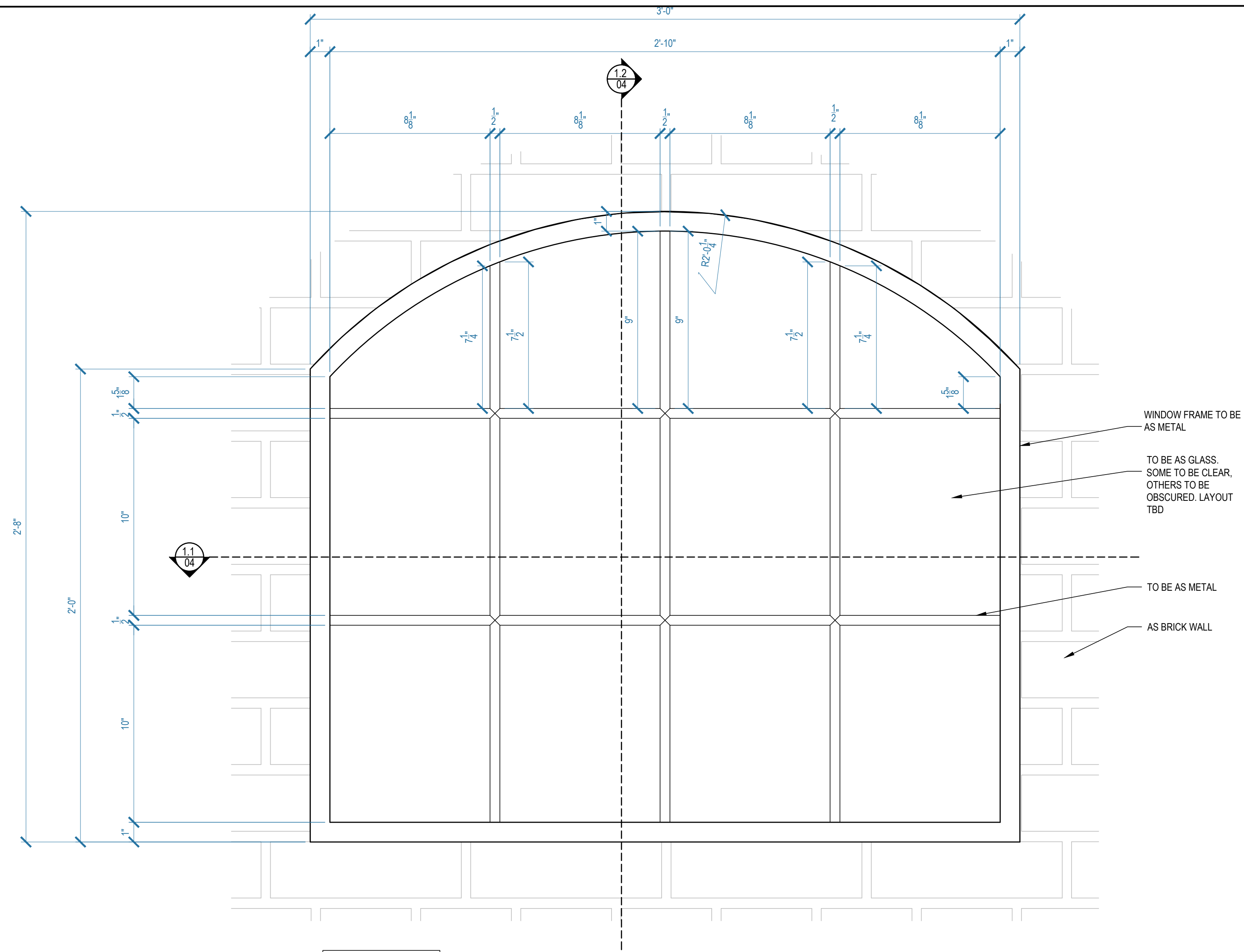


LOCATION BRICK REFERENCE



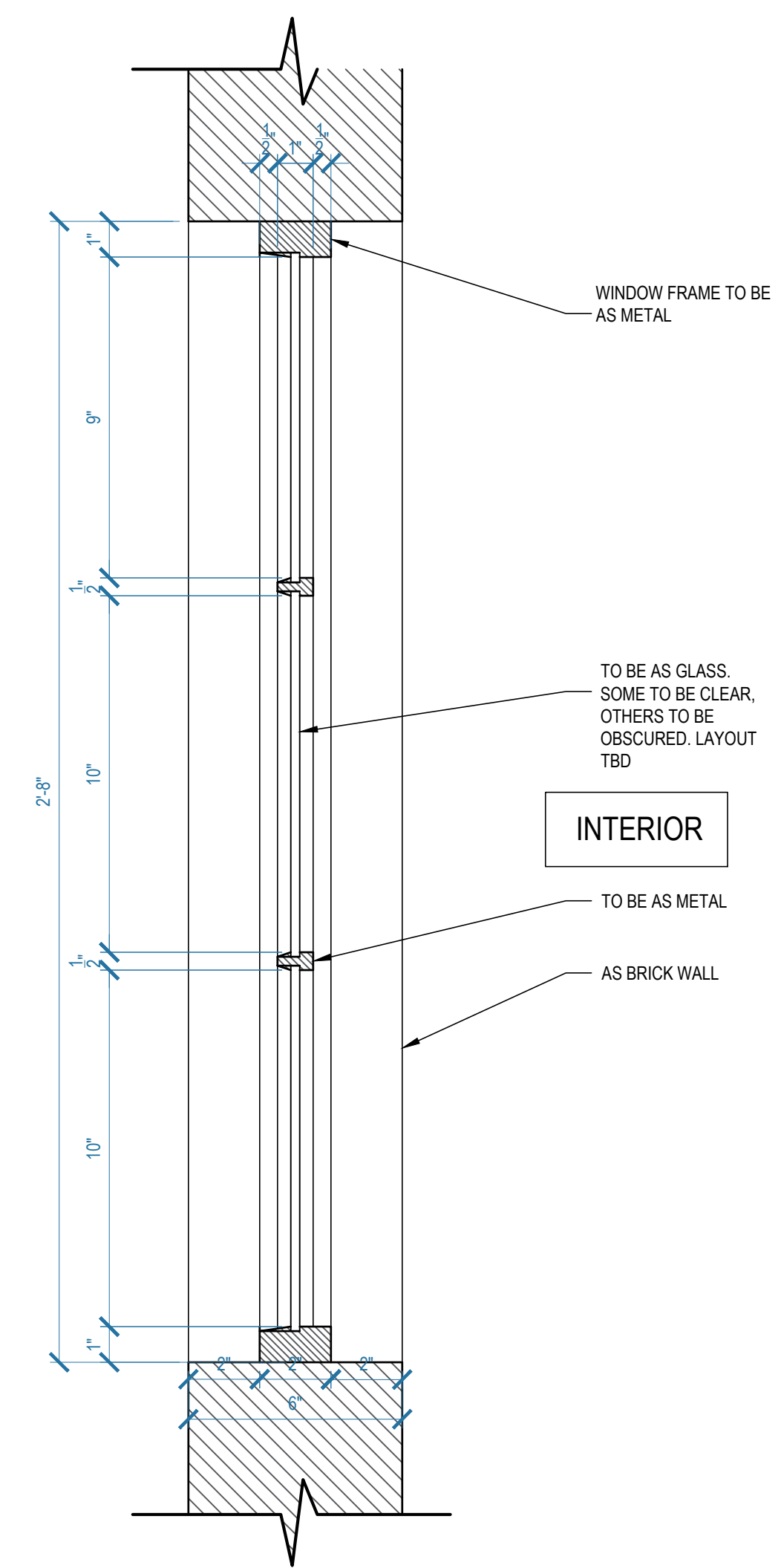
NOTE: SEE A.D. FOR COLORS AND FINISHES

		SET TITLE: INT DISTILLERY BACK ROOM	
		DESCRIPTION: TEXTURE DETAILS	
		LOCATION: STARIGHT STUDIOS - STAGE 1	
		SCALE: 3" = 1'-0"	
		DRAWN BY: SP	SET # 49913
DATE: 03.08.2019	SHEET #	03a of 09	
REVISED ON:			
REVISED ON:			
PRODUCTION DESIGNER: RYAN PALMER ART DIRECTOR: CHRIS CRAINE			



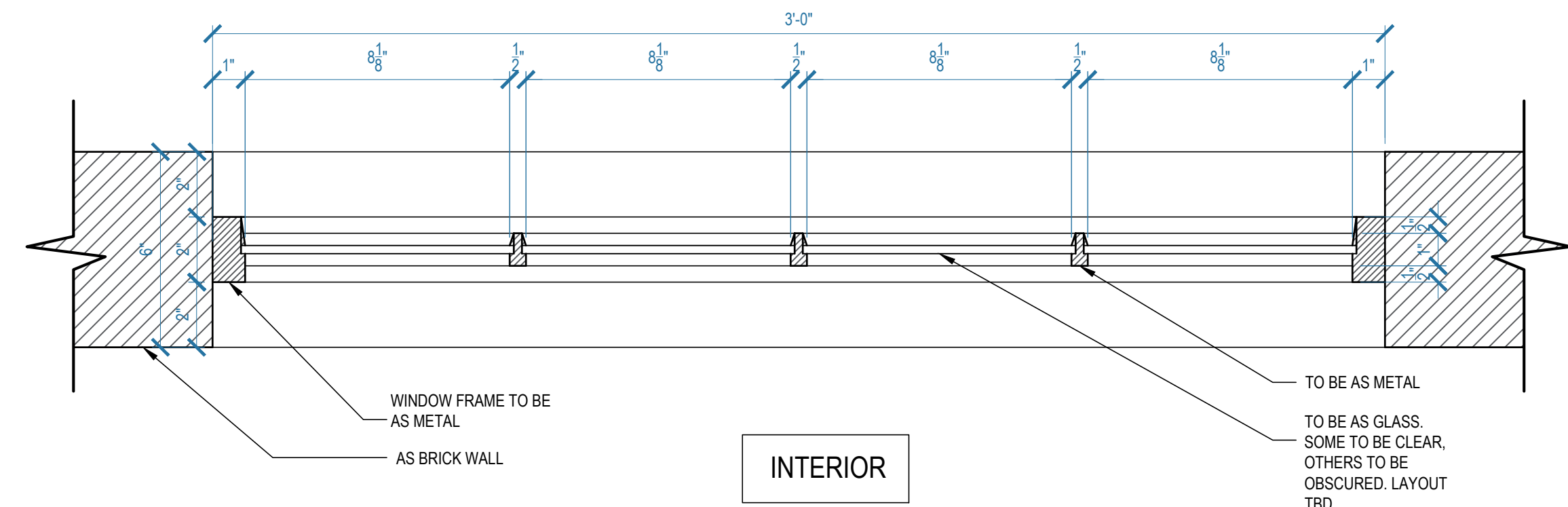
BUILD 3

1.0 ELEVATION - WINDOW  
INT DISTILLERY BACK ROOM SCALE: 3" = 1'-0"

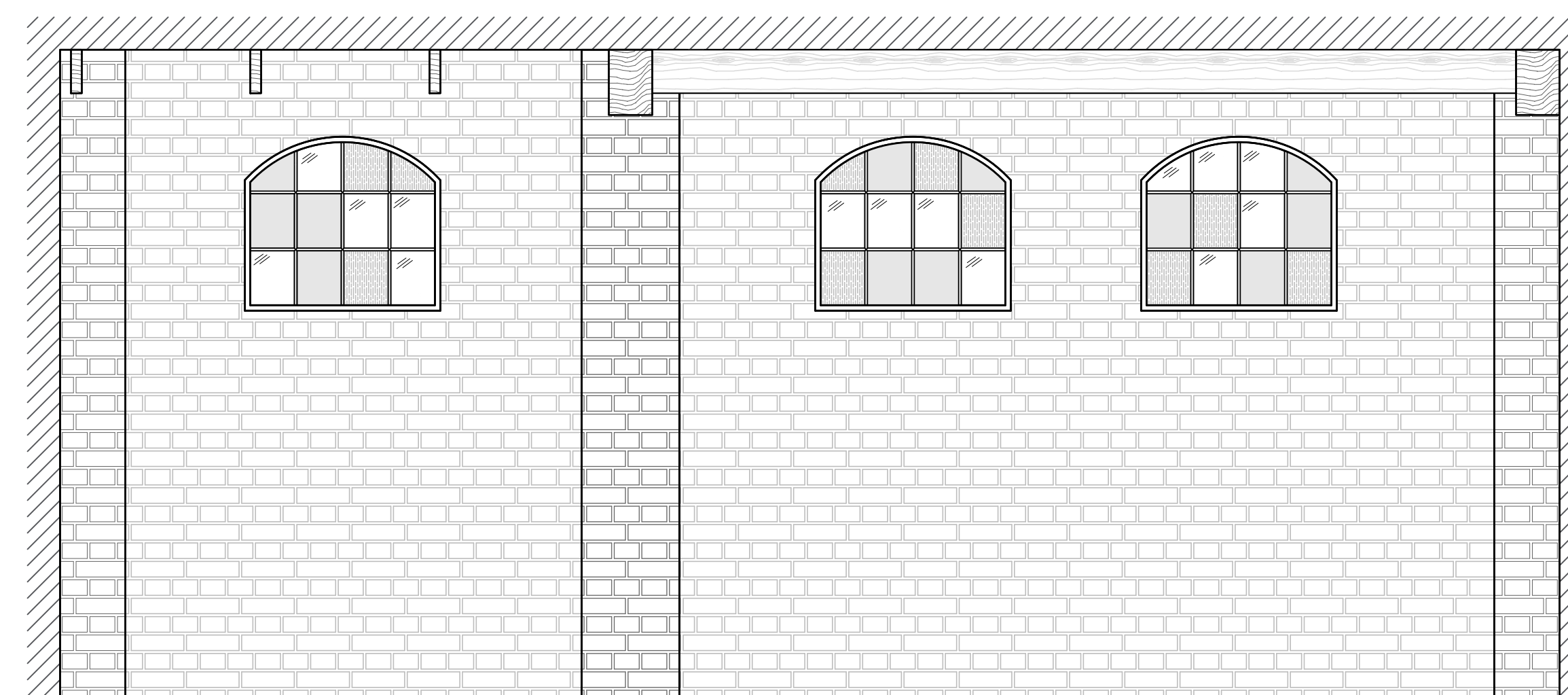


1.2 SECTION - WINDOW  
INT DISTILLERY BACK ROOM SCALE: 3" = 1'-0"

REFERENCE IMAGES



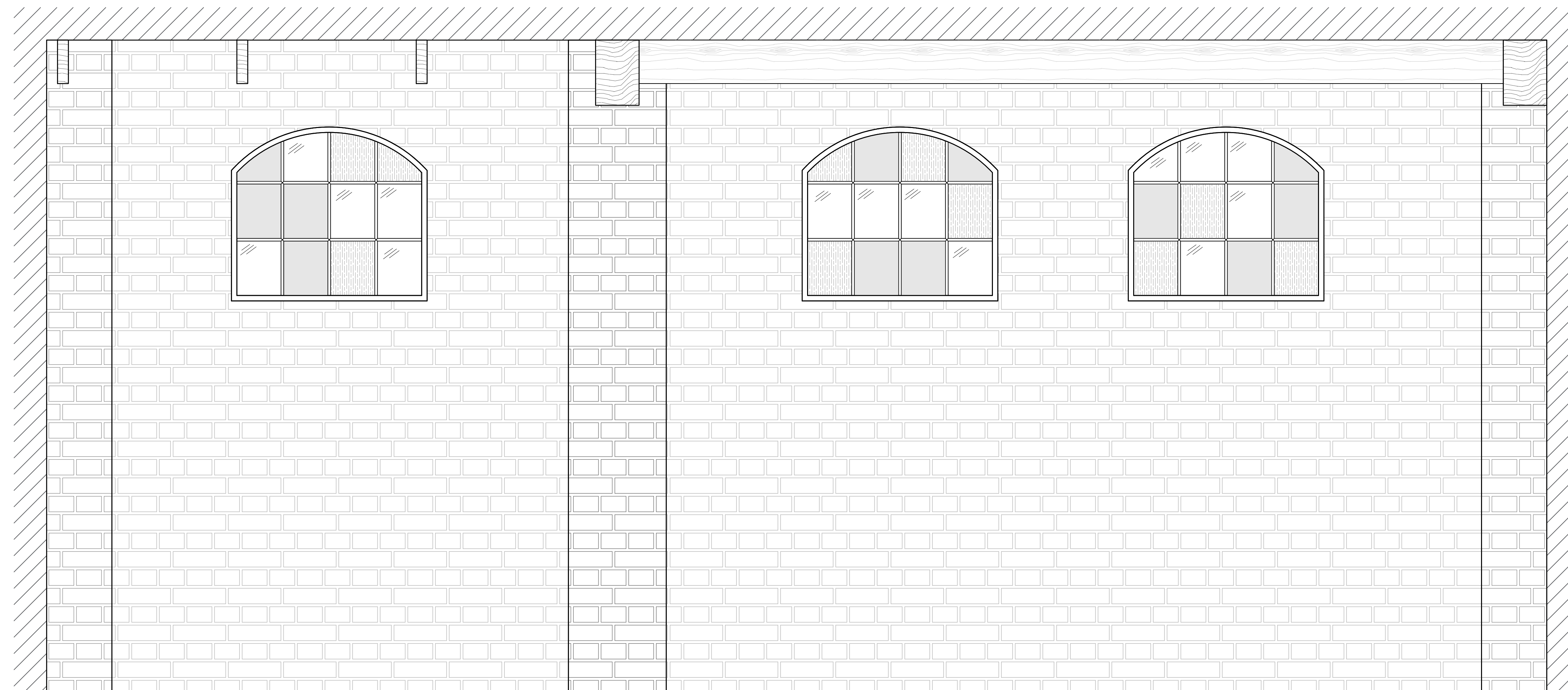
1.1 PLAN - WINDOW  
INT DISTILLERY BACK ROOM SCALE: 3" = 1'-0"

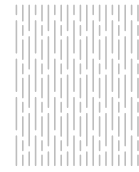




1.3 WINDOW LAYOUT  
INT DISTILLERY BACK ROOM SCALE: 1/2" = 1'-0"

NOTE: SEE A.D. FOR COLORS AND FINISHES

<b>QUEEN OF THE SOUTH</b>	SET TITLE: INT DISTILLERY BACK ROOM	
	DESCRIPTION: WINDOW DETAILS	
	LOCATION: STARIGHT STUDIOS - STAGE 1	
	SCALE: 3" = 1'-0"	
DRAWN BY: SP	SET #	49913
DATE: 02.28.2019	SHEET #	
PRODUCTION DESIGNER: RYAN PALMER ART DIRECTOR: CHRIS CRAINE	REVISED ON:	04 of 09
	REVISED ON:	



-  PAINTED GLASS,  
COLOR TBD
-  FROSTED GLASS
-  CLEAR GLASS

1.3 WINDOW LAYOUT  
INT DISTILLERY BACK ROOM SCALE: 1/2" = 1'-0"

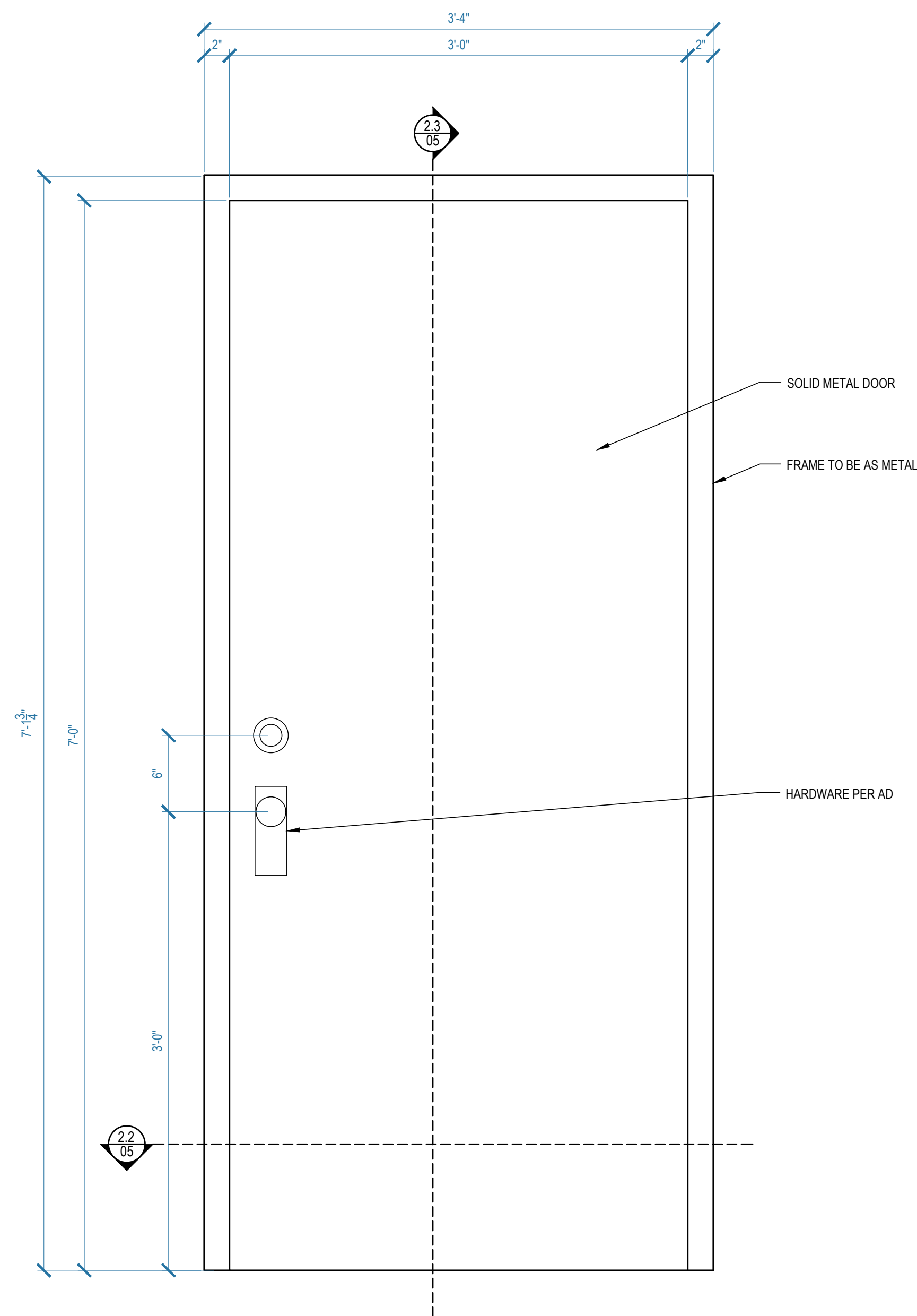
REFERENCE IMAGES



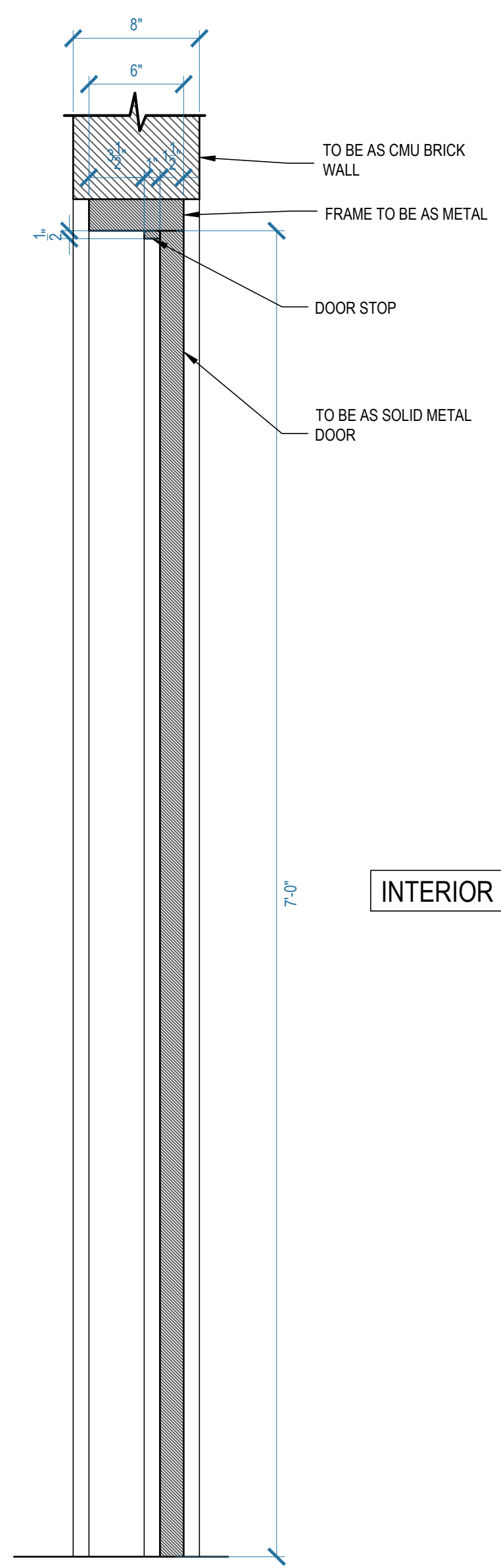
NOTE: SEE A.D. FOR COLORS AND FINISHES

<b>QUEEN OF THE SOUTH</b>	SET TITLE: INT DISTILLERY BACK ROOM	
	DESCRIPTION: WINDOW DETAILS	
	LOCATION: STARIGHT STUDIOS - STAGE 1	
	SCALE: 1" = 1'-0"	
	DRAWN BY: SP	SET # 49913
DATE: 03.21.2019	SHEET #	
REVISOR:	04a of 09	
REVISOR:		

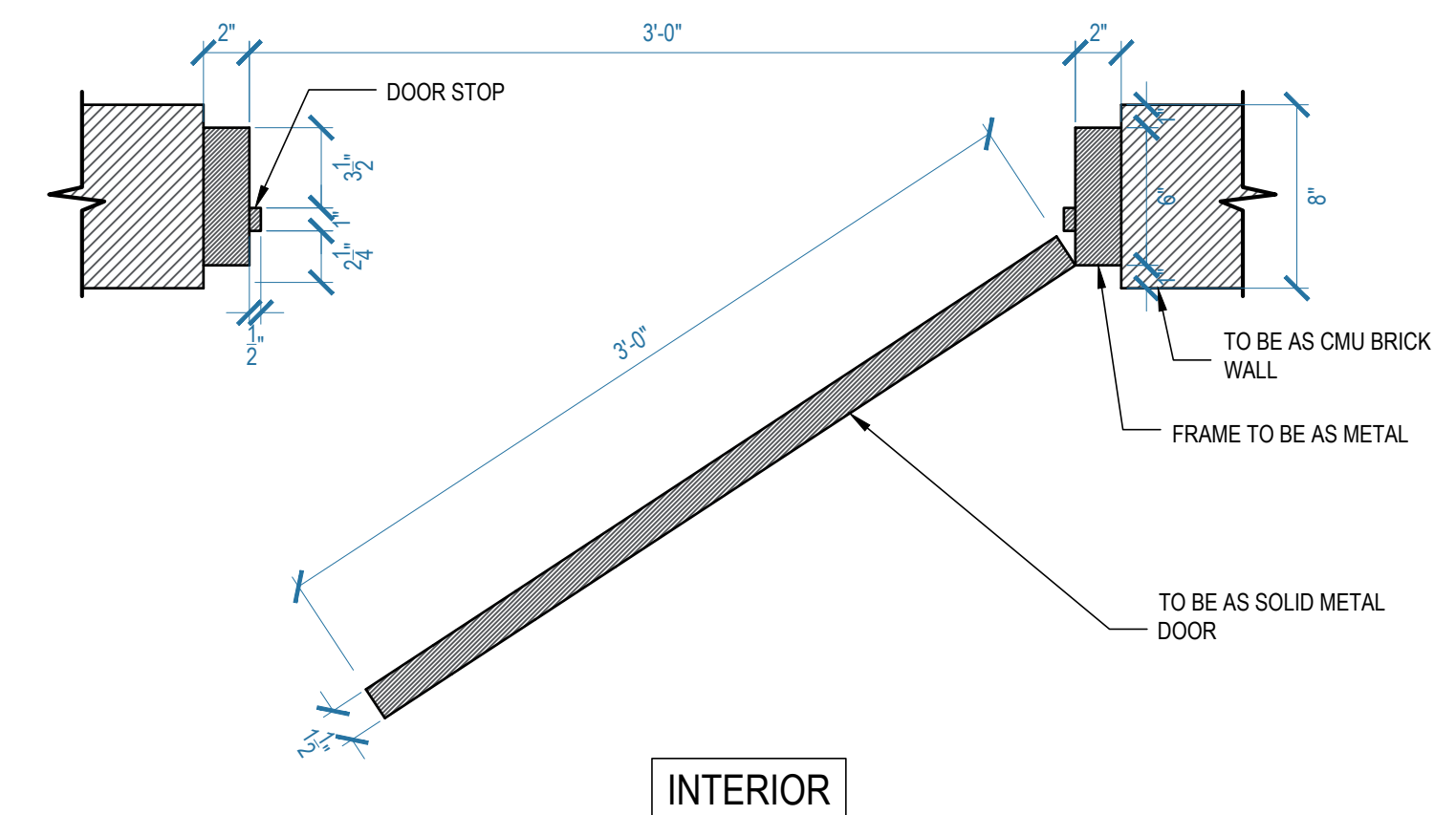
PRODUCTION DESIGNER: RYAN PALMER  
ART DIRECTOR: CHRIS CRAINE



**BUILD 1**  
**2.1** INTERIOR ELEVATION - DOOR  
 INT DISTILLERY BACK ROOM SCALE: 1-1/2" = 1'-0"



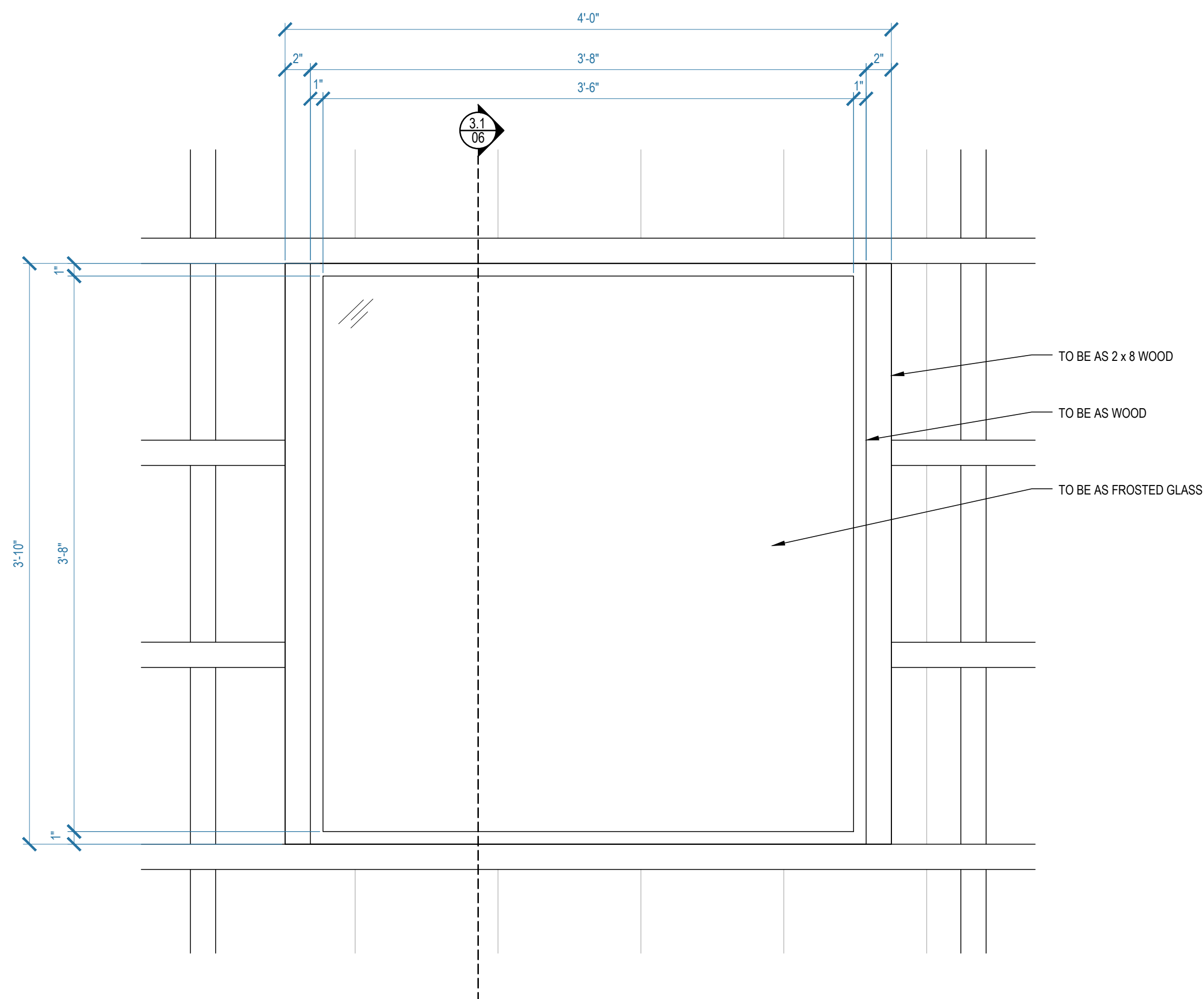
**2.3** SECTION - DOOR  
 INT DISTILLERY BACK ROOM SCALE: 1-1/2" = 1'-0"



**2.2** PLAN - DOOR  
 INT DISTILLERY BACK ROOM SCALE: 1-1/2" = 1'-0"

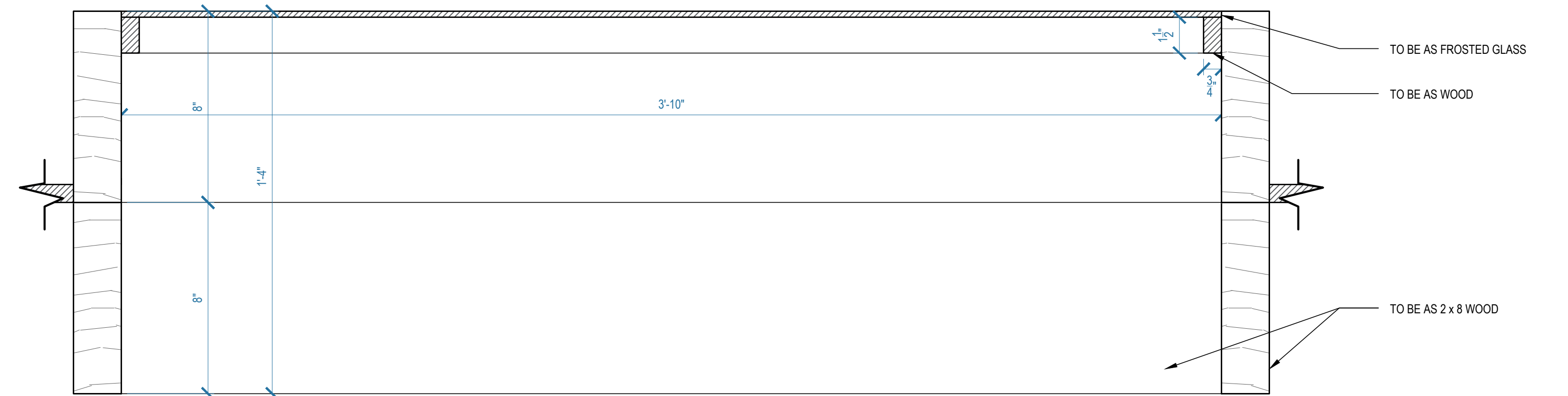
NOTE: SEE A.D. FOR COLORS AND FINISHES

<b>QUEEN OF THE SOUTH</b>		SET TITLE: INT DISTILLERY BACK ROOM	
		DESCRIPTION: DOOR DETAILS	
		LOCATION: STARIGHT STUDIOS - STAGE 1	
		SCALE: 1-1/2" = 1'-0"	
DRAWN BY: SP	SET # 49913		
DATE: 02.28.2019	SHEET #		
PRODUCTION DESIGNER: RYAN PALMER ART DIRECTOR: CHRIS CRAINE	REVISED ON:	05 of 09	
	REVISED ON:		



BUILD 2

3.0 PLAN - SKYLIGHT  
INT DISTILLERY BACK ROOM SCALE: 1-1/2" = 1'-0"

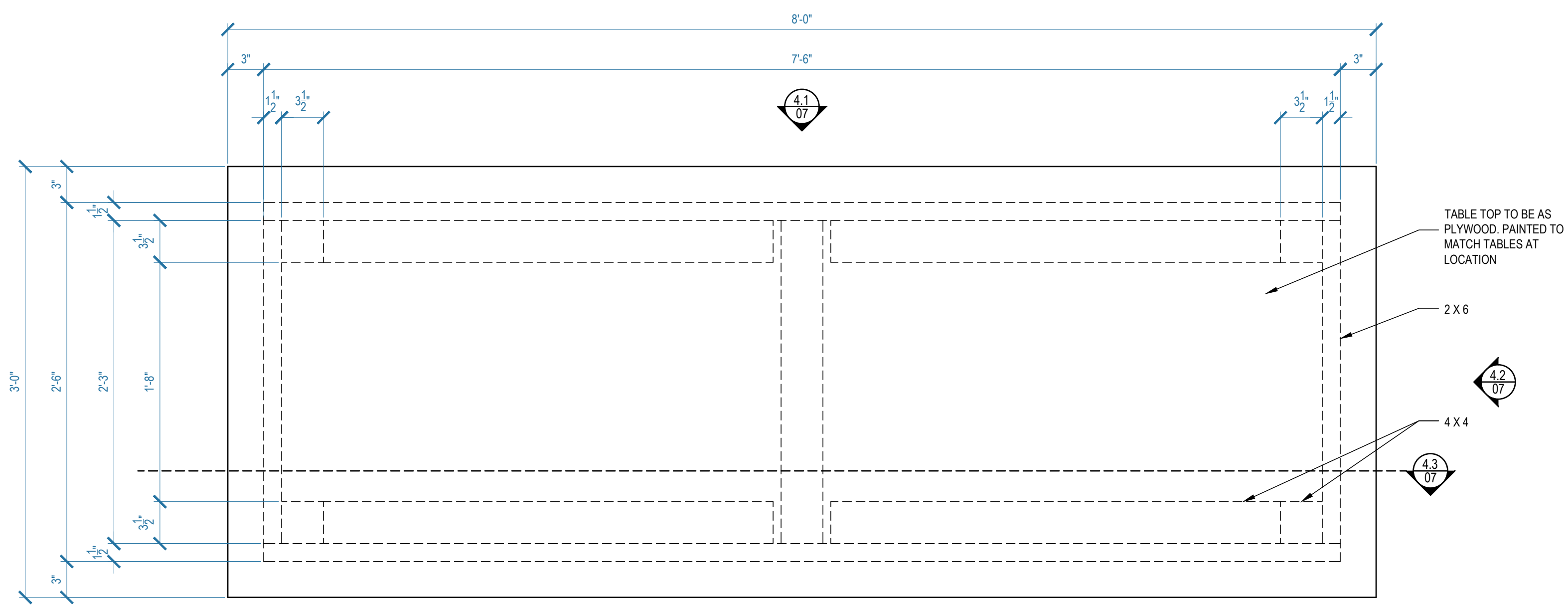


3.1 SECTION - SKYLIGHT  
INT DISTILLERY BACK ROOM SCALE: 3" = 1'-0"

NOTE: SEE A.D. FOR COLORS AND FINISHES

<b>QUEEN OF THE SOUTH</b>	SET TITLE: INT DISTILLERY BACK ROOM	
	DESCRIPTION: SKYLIGHT DETAILS	
	LOCATION: STARIGHT STUDIOS - STAGE 1	
	SCALE: AS NOTED	
DRAWN BY: SP	SET #	49913
DATE: 03.06.2019	SHEET #	
REVISOR:	06 of 09	
REVISOR:		
PRODUCTION DESIGNER: RYAN PALMER ART DIRECTOR: CHRIS CRAINE		

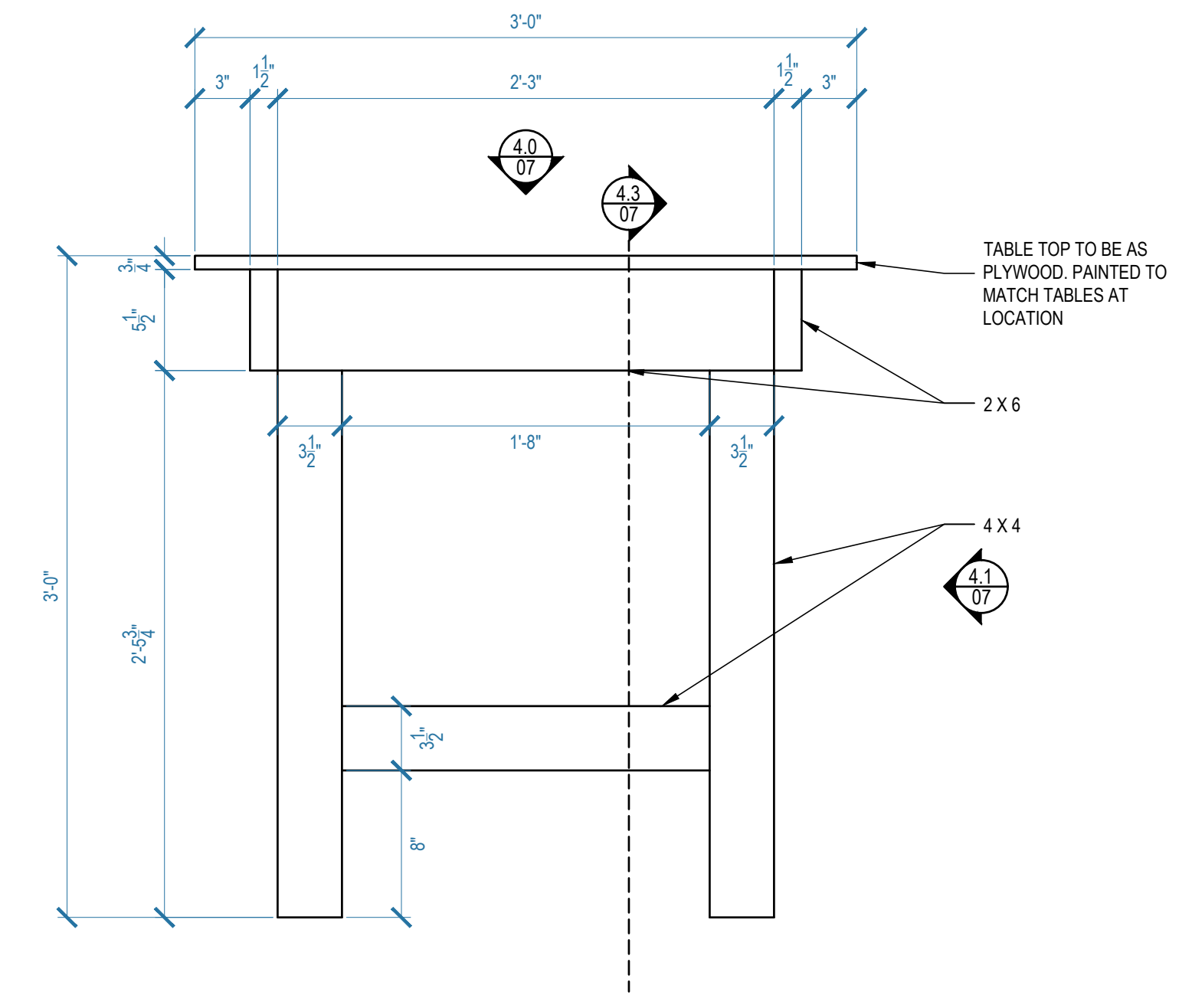




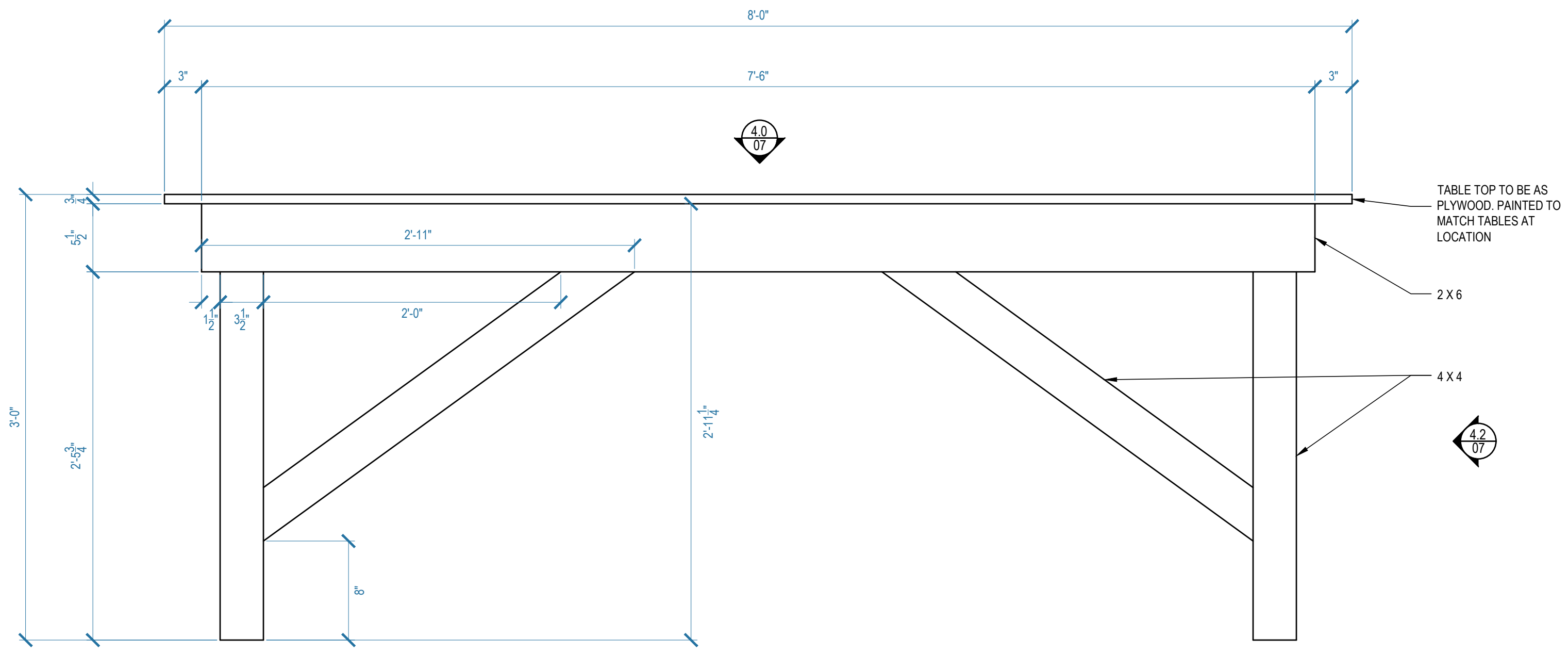
**BUILD 3**

**4.0** TABLE PLAN  
INT DISTILLERY BACK ROOM SCALE: 1-1/2" = 1'-0"

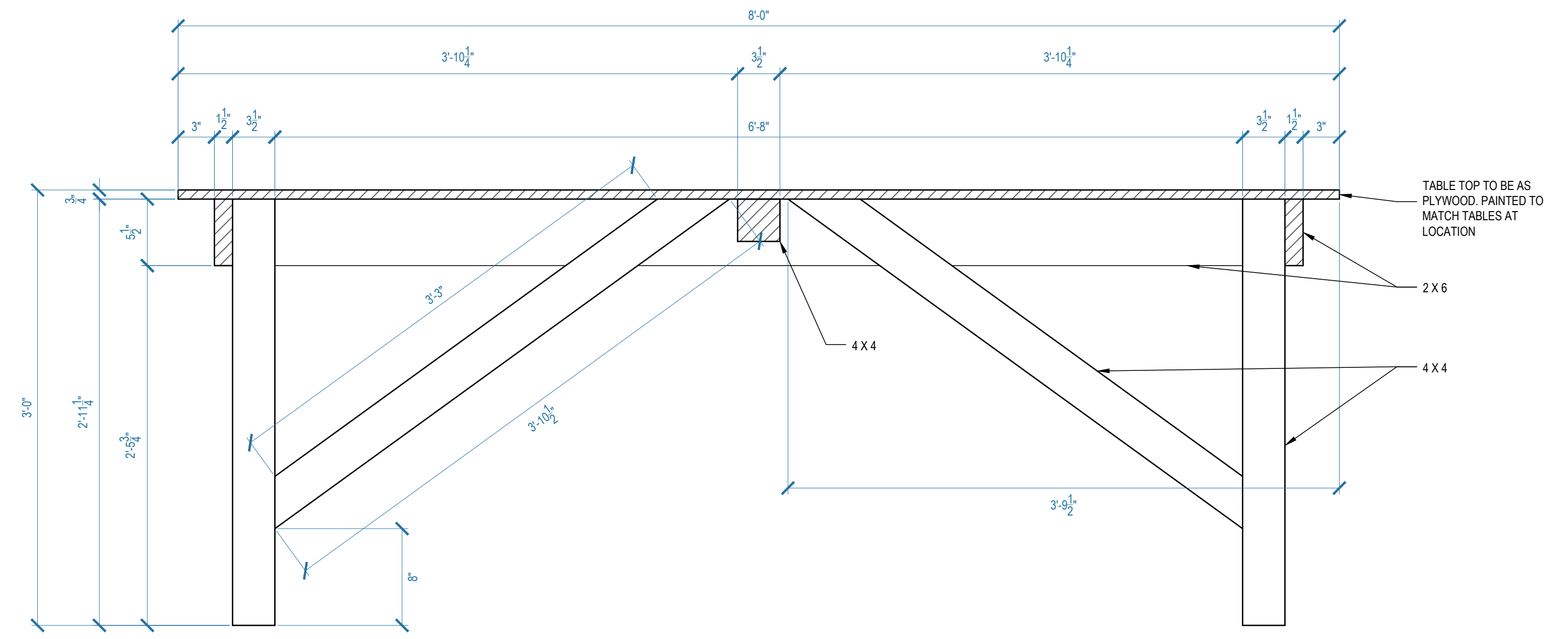
NOTE: TO BE AS WOOD  
PAINTED TO MATCH  
WORKBENCH AT  
LOCATION



**4.2** TABLE ELEVATION  
INT DISTILLERY BACK ROOM SCALE: 1-1/2" = 1'-0"



**4.1** TABLE ELEVATION  
INT DISTILLERY BACK ROOM SCALE: 1-1/2" = 1'-0"



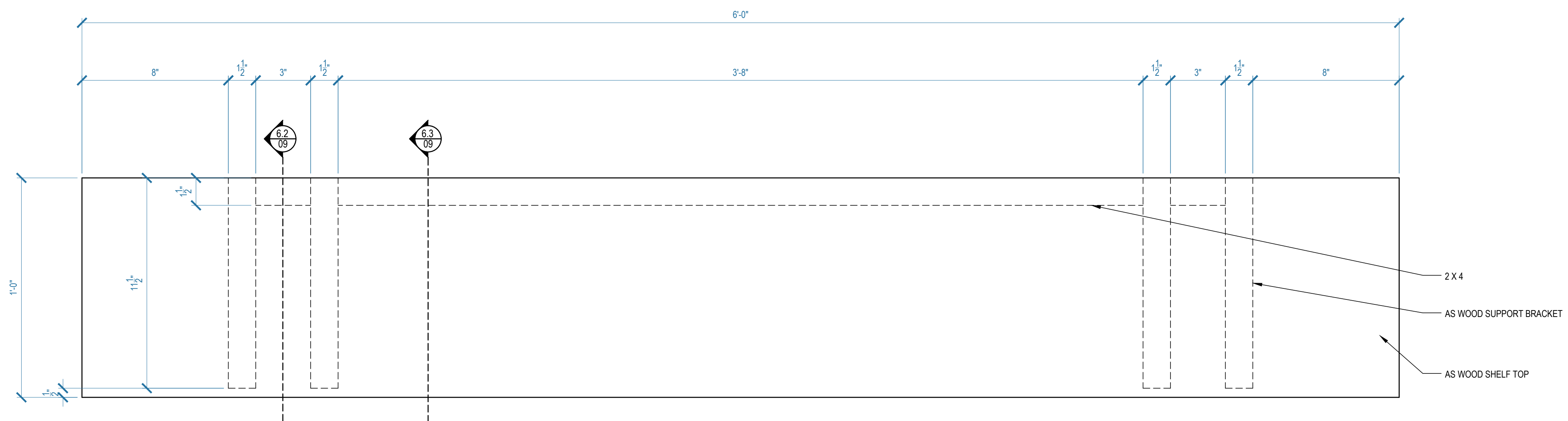
**4.3** TABLE SECTION  
INT DISTILLERY BACK ROOM SCALE: 1-1/2" = 1'-0"

NOTE: SEE A.D. FOR COLORS AND FINISHES

**RELEASED**  
03.21.2019

<b>QUEEN OF THE SOUTH</b>		SET TITLE: INT DISTILLERY BACK ROOM
DESCRIPTION: TABLE DETAILS		
LOCATION: STAIRIGHT STUDIOS - STAGE 1		
SCALE: 1-1/2" = 1'-0"		
DRAWN BY: SP	SET # 49913	
DATE: 03.21.2019	SHEET #	
PRODUCTION DESIGNER: RYAN PALMER ART DIRECTOR: CHRIS CRAINE	REVISED ON:	07 of 09
	REVISED ON:	



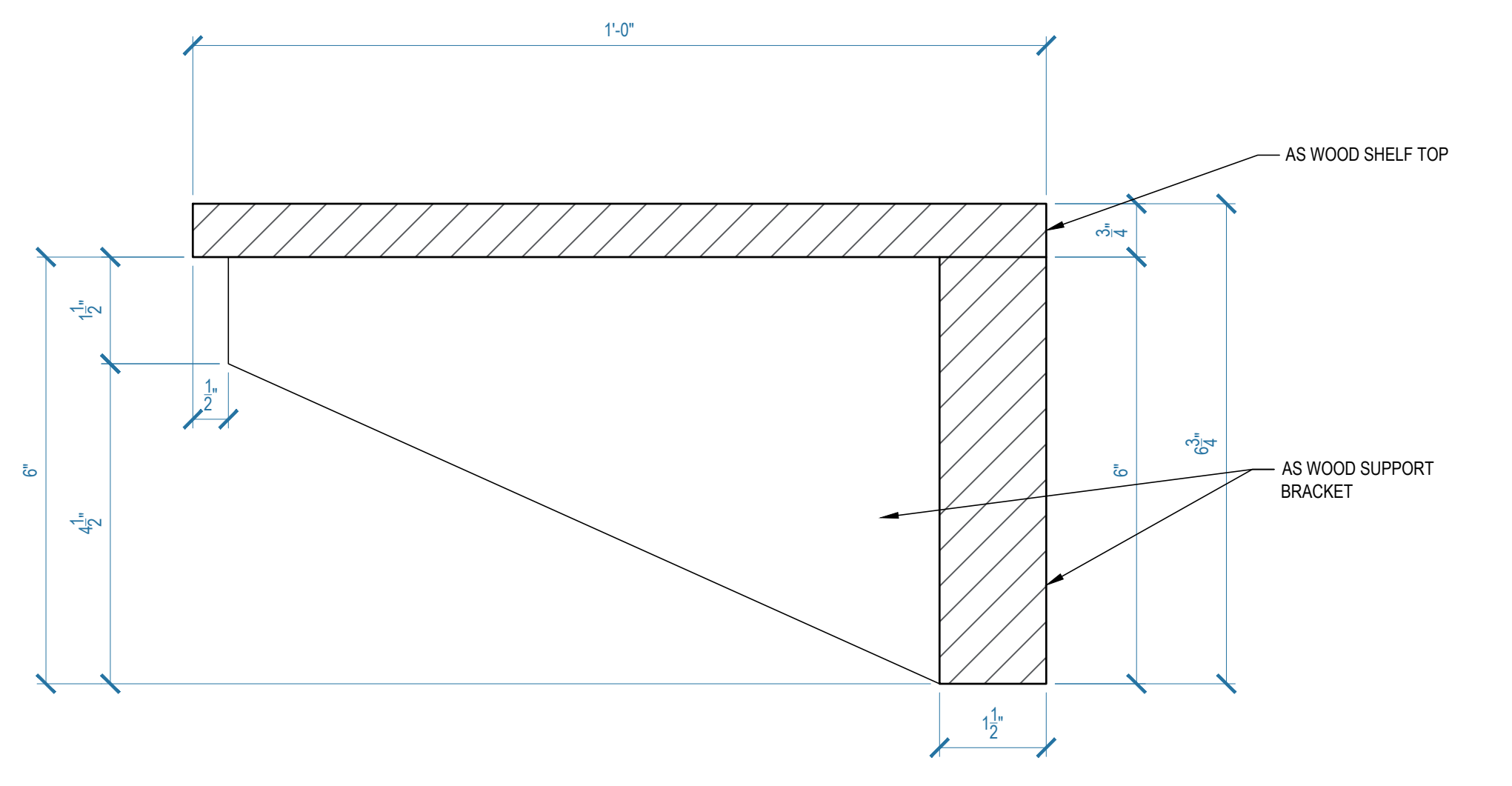


**BUILD 2**

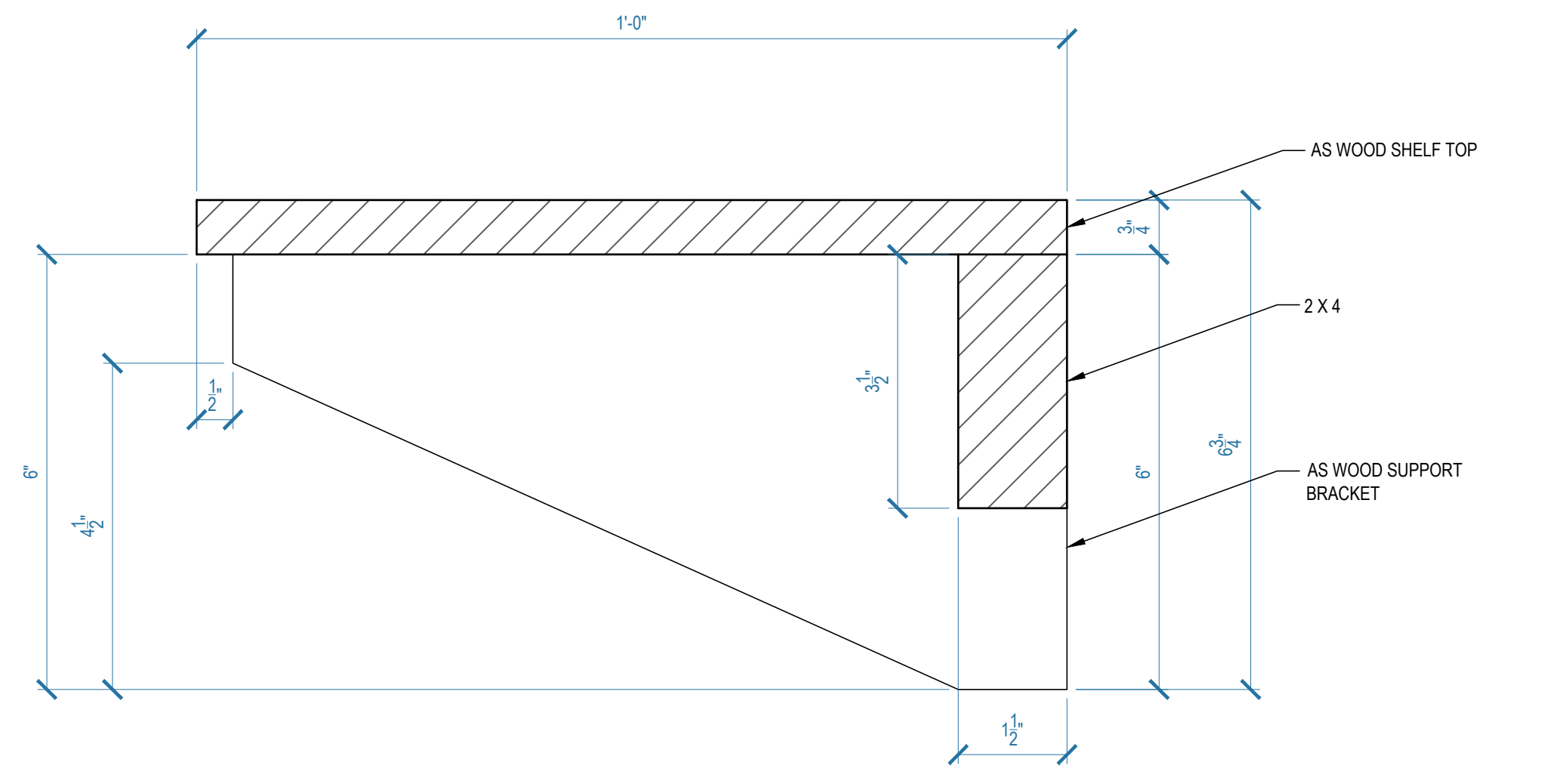
**6.0** WALL SHELF PLAN  
INT DISTILLERY BACK ROOM SCALE: 3" = 1'-0"



**6.1** WALL SHELF ELEVATION  
INT DISTILLERY BACK ROOM SCALE: 3" = 1'-0"



**6.2** WALL SHELF SECTION  
INT DISTILLERY BACK ROOM SCALE: 6" = 1'-0"



**6.3** WALL SHELF SECTION  
INT DISTILLERY BACK ROOM SCALE: 6" = 1'-0"

NOTE: SEE A.D. FOR COLORS AND FINISHES

		SET TITLE: INT DISTILLERY BACK ROOM	
		DESCRIPTION: WALL SHELF DETAILS	
		LOCATION: STARIGHT STUDIOS - STAGE 1	
		SCALE: AS NOTED	
DRAWN BY: SP	SET # 49913		
DATE: 03.21.2019	SHEET #		
PRODUCTION DESIGNER: RYAN PALMER ART DIRECTOR: CHRIS CRAINE	REVISED ON:	09 of 09	
REVISED ON:			